

Applications

The Vela Series Commercial Grade Full Spectrum LED Grow Light is the perfect light for any horticulture application. From tomatoes, cucumbers, peppers and other fruit and vegetables to cannabis and flowers of all sorts. Commercial grade construction is perfect for large grow operations while the simple design and install makes it great for home applications. Full spectrum Samsung LEDs mean the same light covers all your horticulture needs and growth stages.

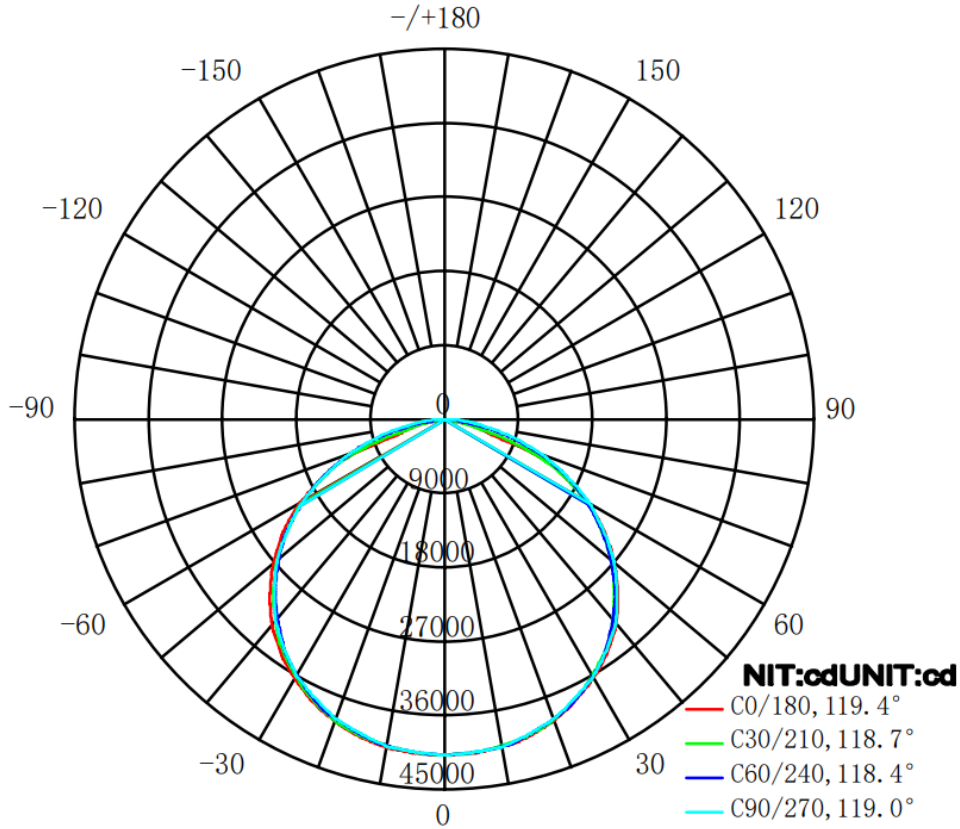


SPECIFICATION FEATURES

1. All adopt superior stainless steel nuts.
2. Die-casting shell brings perfect heat dissipation, Simple&perfect appearance.
3. Aluminum PCB with high thermal conductivity as chip carrier for faster cooling.
4. With full spectrum Samsung chip.
5. Energy-efficient, about double to triple of the metal lamp or the sodium lamp.
6. Led grow light generates less heat, avoids the damage to plant caused by generated high temperature, could use more closer to plant, improves the utilization rate of light, and reduces ambient temperature.
7. Dimmable - Integrated Dimmer Knob or Dim Multiple Lights with an External 0-10v Dimmer.
8. Tear open outfit is convenient.



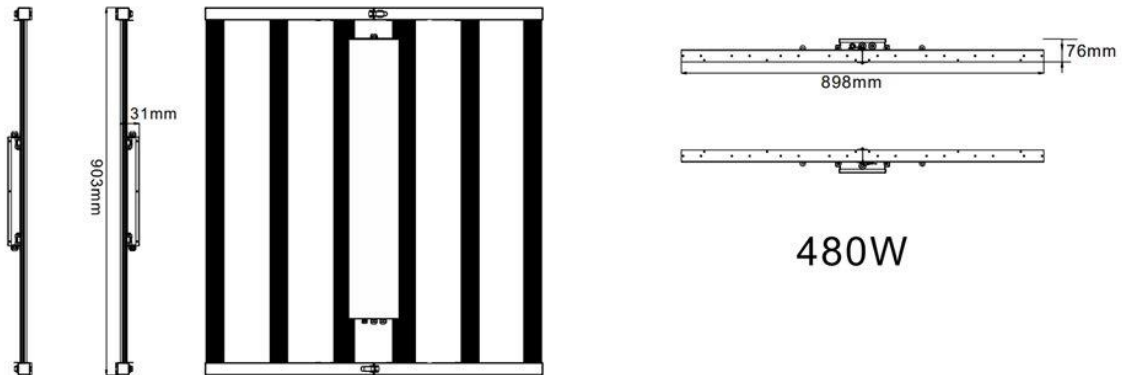
OPTICS PARAMETER



AVERAGE BEAM ANGLE (50%) : 133.9 DEG

COMMERCIAL VELA SERIES LED GROW LIGHT

Product size



480W

3 ft x 3 ft size when assembled. Ideal for grow areas of 3'x3' (intense) to 4'x4' (high) or 5'x5' (standard)



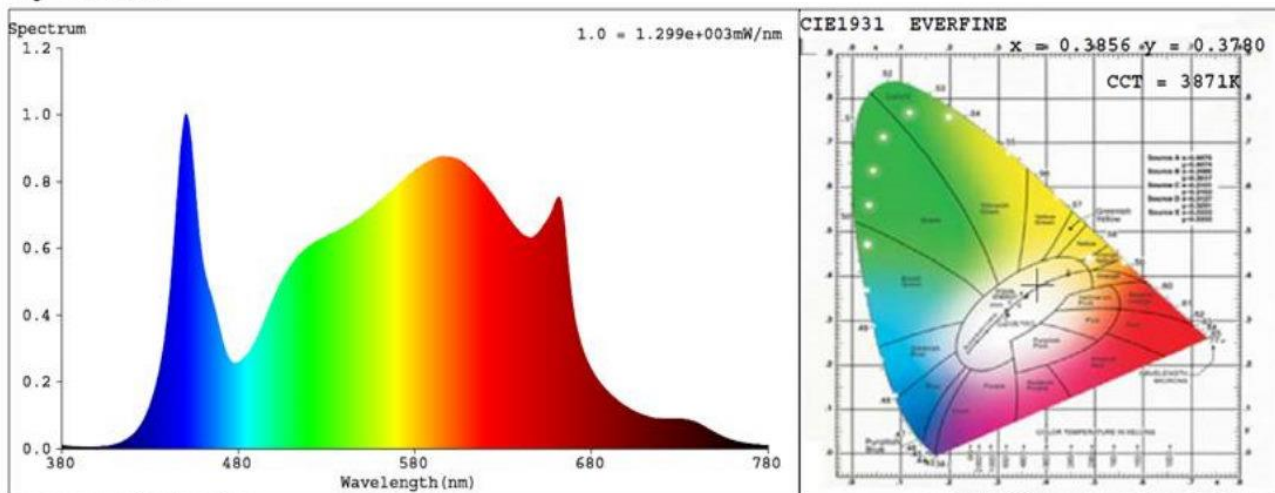
Vela Series Full Spectrum LED Grow Light



COMMERCIAL VELA SERIES LED GROW LIGHT

Detailed Spectrum Analysis

Spectrum



Spectral Distribution

CIE1931 Chromaticity Diagram

Colorimetric Parameters

Chromaticity Coordinate: $x = 0.3856$ $y = 0.3780$ / $u' = 0.2280$ $v' = 0.5029$ ($duv = -8.94e-04$) $Dx, Dy: -0.0007, -0.0023$

CCT= 3871K Prcp WL: Ld=580.0nm Purity=29.2%

Peak WL: Lp=450nm FWHM: =20.6nm Ratio:R=19.4% G=77.0% B=3.6%

Horticultural Luminaires 004 Parameter table

Item description	LEDZW480W004A-6	LEDZW630W004A	LEDZW800W004A	LEDZW960W004A
Input voltage [Vac]	100-277/347/480Vac	100-277/347/480Vac	100-277/347/480Vac	100-277/347/480Vac
Input current [A]	2.18@220V	2.86@220V	3.82@220V	4.36@220V
Input wattage [W]	480±10%	630±10%	840±10%	960±10%
Input frequency [Hz]	50/60	50/60	50/60	50/60
Power factor	≥0.96@220V	≥0.96@220V	≥0.96@220V	≥0.96@220V
Voltage [V]	108V	108V	108V	180V
Current(reference) [A]	4.1	5.4	6.8	8.2
Wattage(reference) [W]	440±10%	580±10%	730±5%	880±5%
Luminous flux [Lm]	67341	84528	102230	118575
Colour temperature [K]	2700-5700	2700-5700	2700-5700	2700-5700
Colour rendering index [Ra]	87	87	87	87
Flux of emitted photons [umol/s]	1248	1600	2000	2300
PPFD [PAR]	392(H30cm)	484(H30cm)	617(H30cm)	692(H30cm)
Beam Angle [L/V]	120°			
LED chip	SAMSUNG 2835			
Average life [h]	50000			
Colour	R20% G76.5%, B3.5% @4000K			
Net weight	15.5Kg			
Environment	WET			
Storage Environment	-40°C-85°C RH10%-95%			
Ambient temperature [°C]	-25°C-40°C			



INSTALLATION

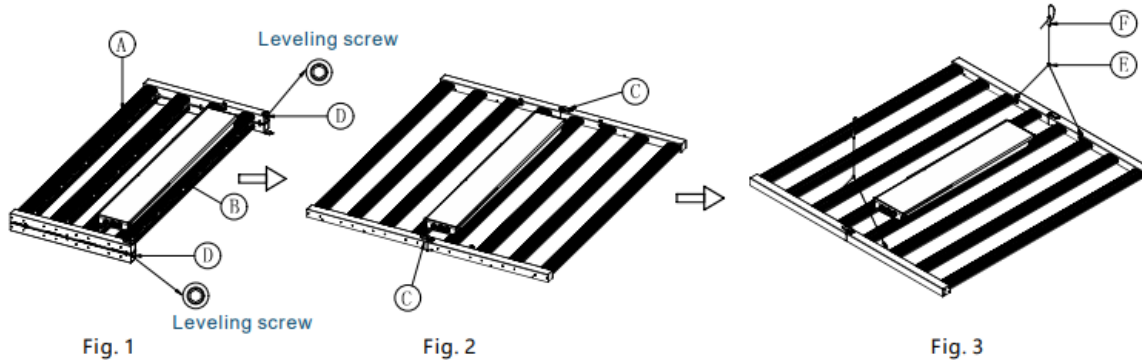


Fig. 1

Fig. 2

Fig. 3

Step 1: Take out the whole light and hanging rope (2 pcs). (Fig. 1)

Step 2: Open and keep it on a clean surface, use (D) to make both sides basically straight and then fasten the clasp. (Fig. 2)

Step 3: Replace the electronic box in the middle, fasten the bolt.

Step 4: Fasten hanging rope E to the holes at the both sides of light, and fix installation end to the load-bearing body, then adjust installation height through F. (Fig. 3)

NOTICE FOR USER

- Please turn off power before installing or changing/assembly any parts.
- Fixture wiring is black for hot/load lead, white for neutral lead and green/yellow for ground lead. Follow electrical code for all connections and wiring in and to the fixture.
- Professional installation recommended.

TROUBLE SHOOTINGS

Issue	Check points
Light Flickers	Check all wiring for disconnections, shorts and burnt wiring and connections. Confirm steady input voltage to the light fixture, fluctuating input voltage will harm the LED driver and can lead to premature failure. Lights with photocells can have photocell tag from ambient light or light reflecting back at the sensor. Simply cover the photocell completely and see if flickering continues while the photocell is covered. Call Tech Support for help if none of the above solves the issue.
Light does not work at all.	Check all wiring for disconnections, shorts and burnt wiring and connections. Confirm steady input voltage to the light fixture, fluctuating input voltage will harm the LED driver and can lead to premature failure. If input voltage is not in the voltage range of the fixture, you will need to find





RuggedGrade

Vela Series Full Spectrum LED Grow Light

	the source of your input voltage issue. Call Tech Support for help if none of the above solves the issue.
--	-----------------------------------------------------------------------------------------------------------

