

# Vasi Series Decorator Dimmer

## 0-10V Preset Dimmer

For use with: 0-10V Lighting Control Devices

### Operation

The 0-10 volt low-voltage lighting control provides dimming control for 0-10 volt compatible LED drivers, fluorescent ballast and HID ballast. Minimum light level (low-end) shall be adjusted to optimize performance.

### Important Notes

Please read before installing

1. Turn off power at circuit breaker or fuse before wiring.
2. Only one dimmer can be used per 3-way circuit.
3. It is normal for the dimmer to feel warm to the touch during operation.
4. FOR SUPPLY CONNECTOR, USE WIRES RATED FOR AT LEAST 75°C and USE COPPER WIRE ONLY.

**CAUTION** - To Reduce the Risk of Overheating and Possible Damage to Other Equipment, Do Not Install to Control a Receptacle, a Motor-Operated Appliance or a Fluorescent Lighting Fixture or a Transformer Supplied Appliance.

**ATTENTION** - Pour réduire le risque de surchauffe et les possibles dommages à d'autres équipements, ne pas installer pour contrôler un réceptacle, un appareil à moteur ou un luminaire fluorescent ou un appareil fourni par transformateur.

### Warranty Information

If within one(1) year from the date of purchase, this product fails due to a defect in material or workmanship, we will repair or replace it, at its sole option, free of charge. This warranty does not apply to: (a) damage to units caused by accident, dropping or abuse in handline, acts of God or any negligent use; (b) units which have been subject to unauthorized repair, opened, taken apart or otherwise modified; (c) unit not used in accordance with instructions; (d) damages exceeding the cost of the products. This warranty service is available by returning the products with proof of purchase date and a description of the problem to dealer from whom the unit was purchase.



# Vasi Series Decorator Dimmer

## Dimming Range Adjustment

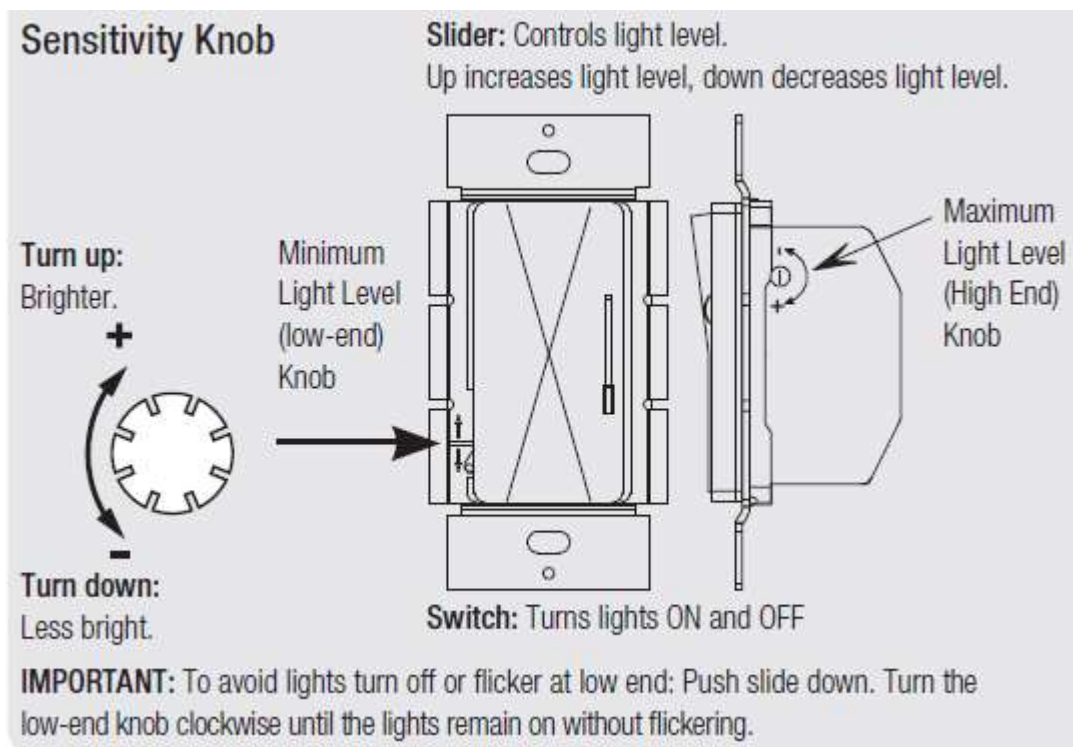
1. Push dimmer on and move slider down to the bottom.
2. Turn knob down until lowest light level is achieved and light output is stable for all bulbs.
3. Turn dimmer off, then back on to verify bulbs.
4. Turn knob up lightly and do step 3 again if all bulbs do not turn on.

### LIGHTS DO NOT OPERATE AT FULL BRIGHTNESS:

Push slides up. Turn high-end knob clockwise with a screwdriver to achieve maximum light intensity.

### LIGHTS DO NOT DIM LOW ENOUGH:

Push slide down. Turn the low-end knob counter-clockwise to achieve minimum light intensity.



# Vasi Series Decorator Dimmer

## Multi-gang Installation Sheet (Without Power Pack):

Cat. No.	Device Rating	Single-Gang Rating	Double-Gang Rating	Triple-Gang Rating
DMD-LED1-10	120V AC, 50-60Hz, 3A	120V AC, 50-60Hz, 3A	120V AC, 50-60Hz, 3A	120V AC, 50-60Hz, 3A
DMD-LED3-10	277V AC, 50-60Hz, 1A	277V AC, 50-60Hz, 1A	277V AC, 50-60Hz, 1A	277V AC, 50-60Hz, 1A
DMD-LED1-101 DMD-LED3-101 DMD-LED1-102	CFL/LED/Electronic self-ballasted	CFL/LED/Electronic self-ballasted	CFL/LED/Electronic self-ballasted	CFL/LED/Electronic self-ballasted
DMD-LED3-102				
DMD-LED1-107				
DMD-LED3-107				
DMD-LED1-104	120V AC, 50-60Hz, 6A	120V AC, 50-60Hz, 6A	120V AC, 50-60Hz, 6A	120V AC, 50-60Hz, 6A
DMD-LED3-104	277V AC, 50-60Hz, 3A	277V AC, 50-60Hz, 3A	277V AC, 50-60Hz, 3A	277V AC, 50-60Hz, 3A
DMD-LED1-105	CFL/LED/Electronic	CFL/LED/Electronic	CFL/LED/Electronic	CFL/LED/Electronic
DMD-LED3-105	self-ballasted	self-ballasted	self-ballasted	self-ballasted
DMD-LED1-106				
DMD-LED3-106				
DMD-LED1-103 DMD-LED3-103	120V AC, 50-60Hz, 8A 277V AC, 50-60Hz, 3A CFL/LED/Electronic self-ballasted	120V AC, 50-60Hz, 8A 277V AC, 50-60Hz, 3A CFL/LED/Electronic self-ballasted	120V AC, 50-60Hz, 8A 277V AC, 50-60Hz, 3A CFL/LED/Electronic self-ballasted	120V AC, 50-60Hz, 8A 277V AC, 50-60Hz, 3A CFL/LED/Electronic self-ballasted

## Installation

### 1. Turning power OFF.

- Turn power OFF.

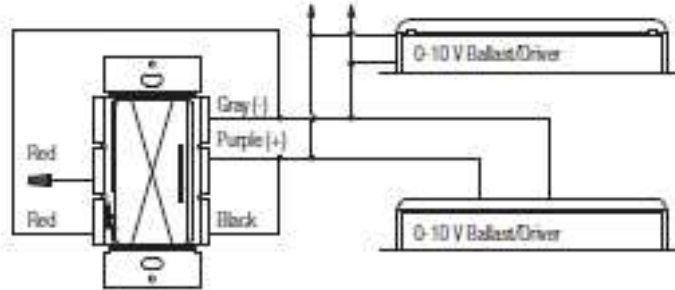
### 2. Wiring the Dimmer.

#### A. Dimming Only Wiring

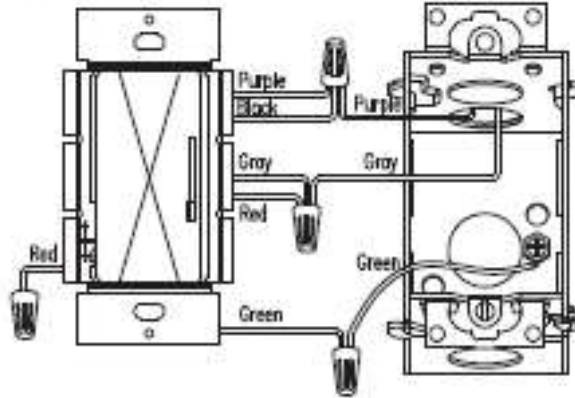
Power wiring not shown—see lighting device for wiring



# Vasi Series Decorator Dimmer

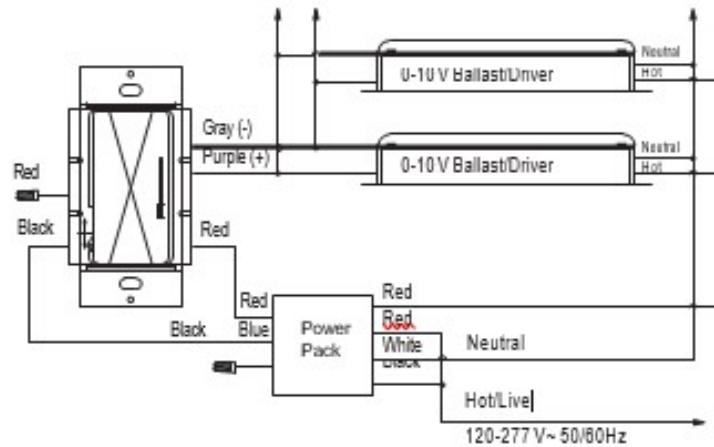


**Dimming Only Wallbox Wiring**



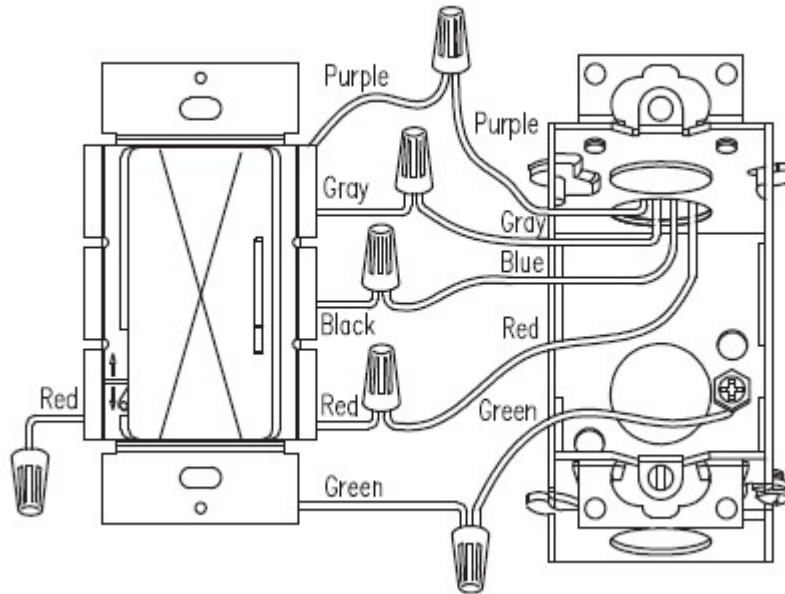
Note: Wire locations will vary. Reference wires by color not location

## B. Dimming With ON/OFF Control Wiring Diagram Using Power Pack



# Vasi Series Decorator Dimmer

Dimming With ON/OFF Control Wallbox Wiring



Note: Wire locations will vary. Reference wires by color not location.

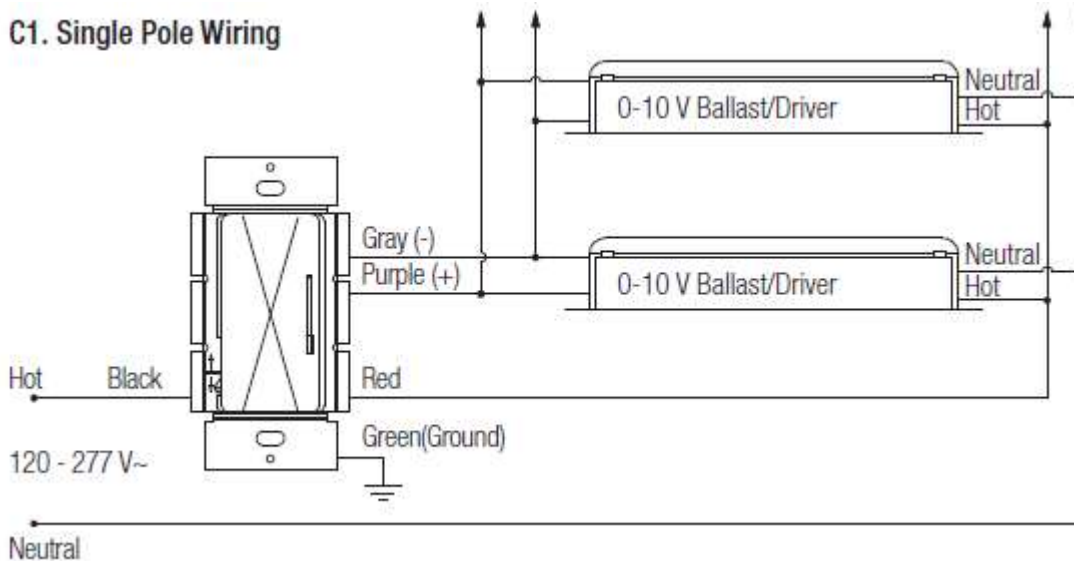
## C. Dimming With ON/OFF Control Without Power Pack

120-277 V~ 50 / 60 Hz

Connect the 0-10 V Control

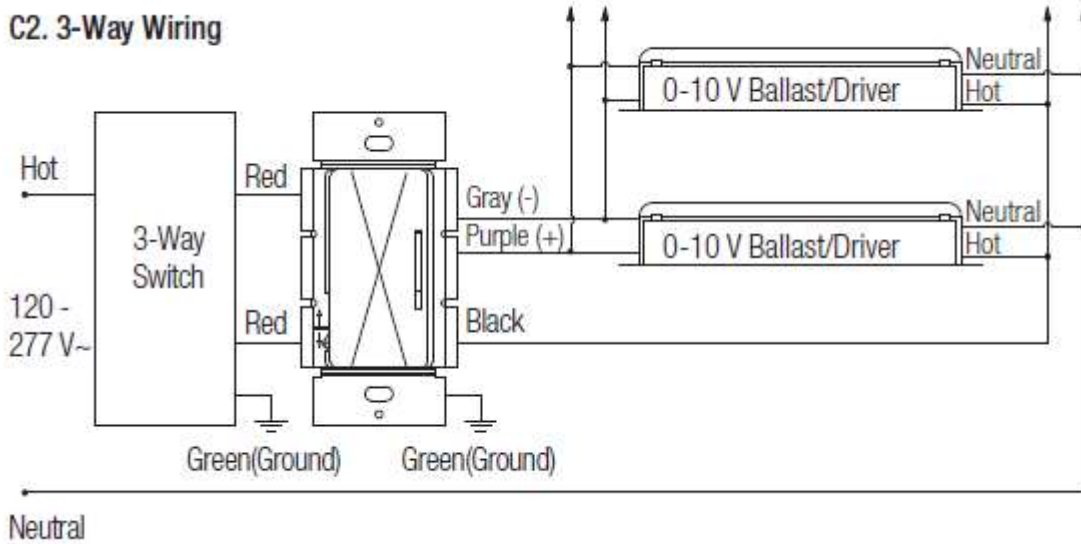
Wire the controls according to the appropriate wiring diagram shown below and, on the ballast, /driver.

### C1. Single Pole Wiring



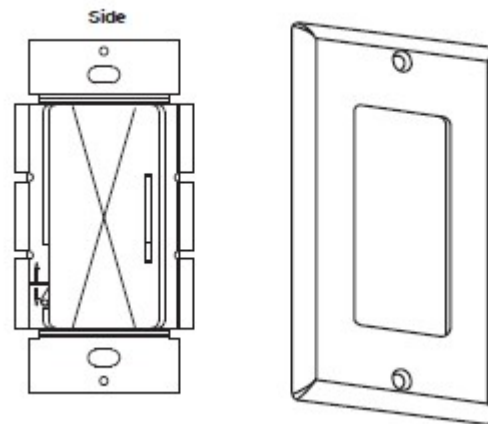
# Vasi Series Decorator Dimmer

## C2. 3-Way Wiring



### 3. Mounting dimmer to wallbox.

Push wires carefully into the wallbox, Install wallplate.



### 4. Turning power ON.

Turn power ON.

# Vasi Series Decorator Dimmer

## DMD-LED3-105

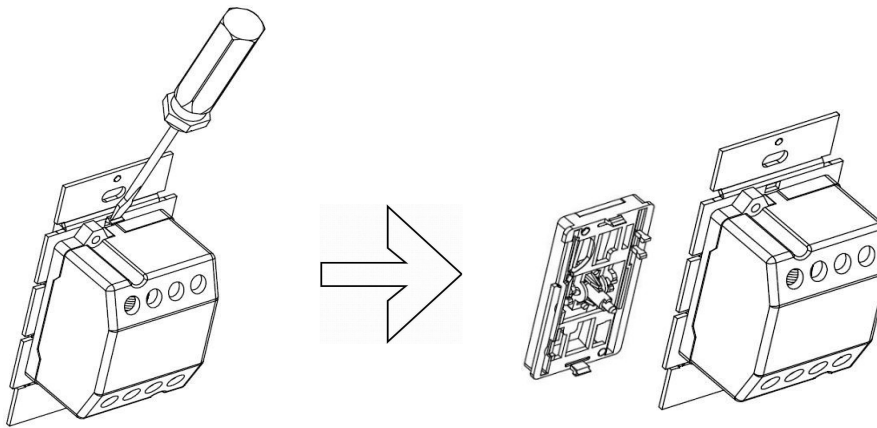
0-10V Decorator Dimmer - Single Pole or Three Way Dimming Control:

**120VAC 6A**

**277VAC 3A**



in change the cover by themselves.



Cat. No.	Device Rating	Single-Gang Rating	Double-Gang Rating	Triple-Gang Rating
DMD-LED3-105	120VAC 50-6Hz 6A 277VAC 50-60Hz 3A CFL/LED/Electronic self-ballasted	120VAC 50-6Hz 6A 277VAC 50-60Hz 3A CFL/LED/Electronic self-ballasted	120VAC 50-6Hz 6A 277VAC 50-60Hz 3A CFL/LED/Electronic self-ballasted	120VAC 50-6Hz 6A 277VAC 50-60Hz 3A CFL/LED/Electronic self-ballasted

### FEATURES AND BENEFITS

1. Tough impact-resistant thermoplastic housing.
2. Broad product offering to meet a wide variety of applications.
3. Full-range dimming, lighting fade up and down smoothly allowing your eyes to adjust to changing light levels.
4. Smooth-action slide control for easy precise operation.

### DIMENSION:

