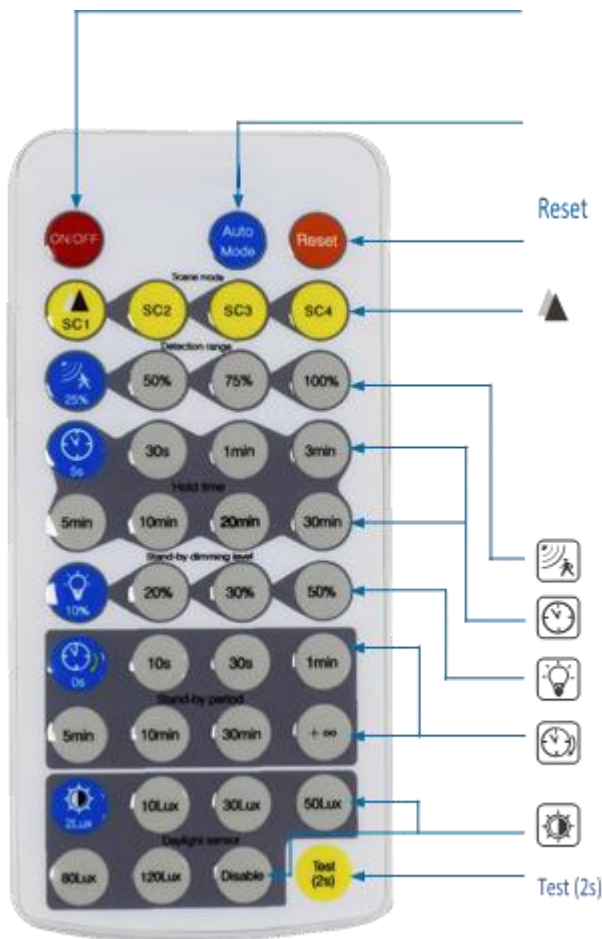


TITAN III – REMOTE CONTROLLER

Remote for Titan III Series LED Warehouse & High Bay Lights



ON/OFF

Press the "On/off" button, the light keeps permanently on or off. Press "Auto Mode", "Reset" or "Scene mode" buttons to quit from this mode. *****PLEASE NOTE: When using the Titan IV, the light will go off. If using with TITAN III with motion sensor, when powered up, light will always default to minimum dimming level between 5-8% at all times aside from when motion is detected, and the programmed settings take over. When program is complete, the light will return to the minimum dimming level of 5-8%, does not turn off completely*****

Auto Mode

Press "Auto Mode" button, the sensor starts to work and all settings remain the same before the light gets switched on/off.

Press "Reset" button, products with DIP switch will be controlled by DIP switches; otherwise all the setting will be just initial, that is 100% detection range, hold time 5S, no stand-by time and daylight threshold disabled.

Scene Mode(locked)

Scene mode	Detection area	Hold time	Daylight threshold	Stand-by period	Stand-by dimming level
SC1	100%	30s	2Lux	1min	10%
SC2	100%	5min	10Lux	10min	10%
SC3	100%	10min	50Lux	30min	10%
SC4	100%	30min	Disable	+∞	10%

Detection

area (Press to define detection area 100%/75%/50%/25%.)

Hold time (Press to define hold time 5s/30s/1min/3min /5min/10min/20min/30min .)

Stand-by dimming level (Press to define stand-by dimming level 10%/20%/30%/50%.)

Stand-by period (Press to define stand-by period

0s/10s/30s/1min/5min/10min/30min/+∞.) Note: "0s" means no standby period; "+∞" means unlimited standby period.

Daylight threshold (Press to define daylight level 2Lux /10Lux

/30Lux/50Lux/80Lux/120Lux/Disable.) Note: Disable means light will be turned on once sensor detects movement, regardless of the ambient lux.

The button "Test (2s)" is for testing purpose after commissioning. Pressing this button, the sensor goes to test mode (hold time is only 2s)

Attention

1. Light turns on when sensor is wired correctly.
2. When using on/off button, the rest setting buttons don't work.
3. Press "Auto Mode", "Scene mode" or "Reset" button before setting detection range, hold time, daylight threshold, standby dimming level and standby period, sensor flickers after receiving signals.
4. Every change will be automatically saved.