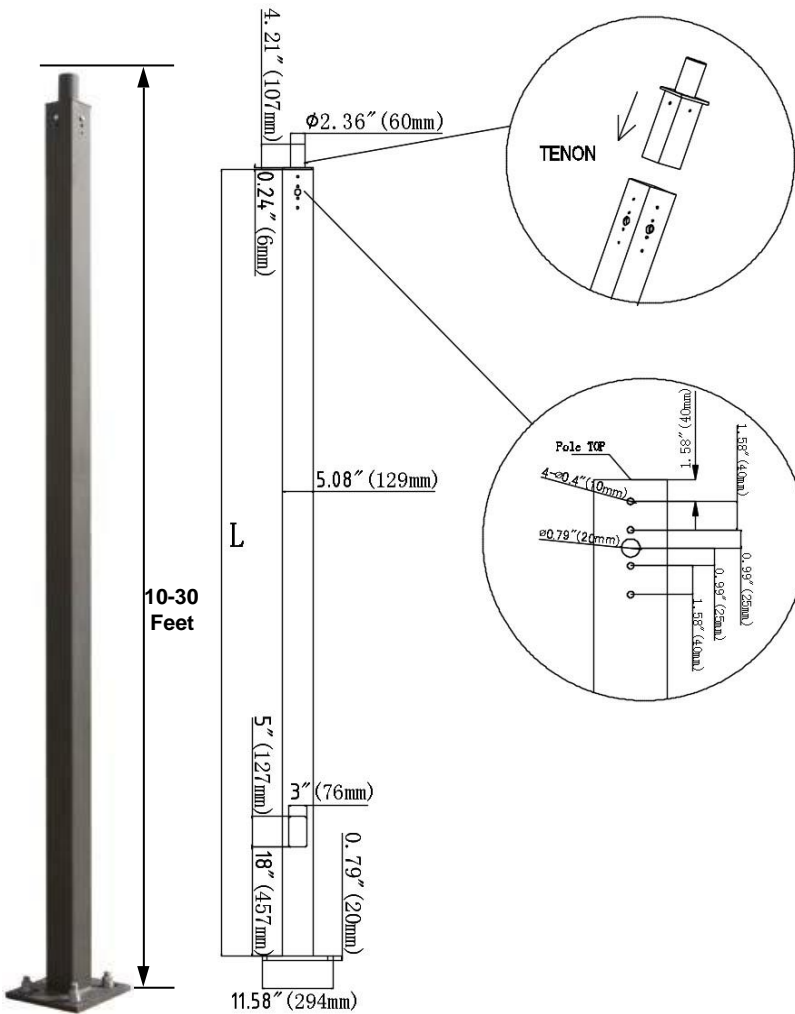




Straight Square Steel Light Poles, 4" and 5"



The Straight Square Steel poles are built from high strength steel tube and are available side drilled for arm mounted area lighting luminaires or with tenon mounts for flood and post top luminaires. Typical area lighting applications include retail centers, industrial parks, schools and universities, public transit and airports, office buildings and medical facilities. Mounting heights of 10 to 30 feet can be used based on selected luminaire application.

Specifications and Features: Pole

Specifications:

Conforms to ASTM-A 500 Grade B: Minimum Yield Strength of 46,000 PSI.

Finish:

Textured Architectural Bronze Powdercoat Finish, Baked to Ensure Maximum Paint Adhesion, Hardness and Durability.

Anchor Bolts:

Anchor Bolts are Included, Sized Based on Pole Data Charts for the Selected Pole Size.

Hand Hole:

Cast Iron Reinforced Hand Hole and Cover with Ground Screw.

Base Cover:

Poles are Provided With a Two-Piece Formed Steel Base Cover that is Easily Assembled and Fitted Over Pole Base.

Pole Length:

Poles are Available in Standard Lengths as Shown in the Order Matrix. Poles can be Custom Cut to Order. Consult Factory.

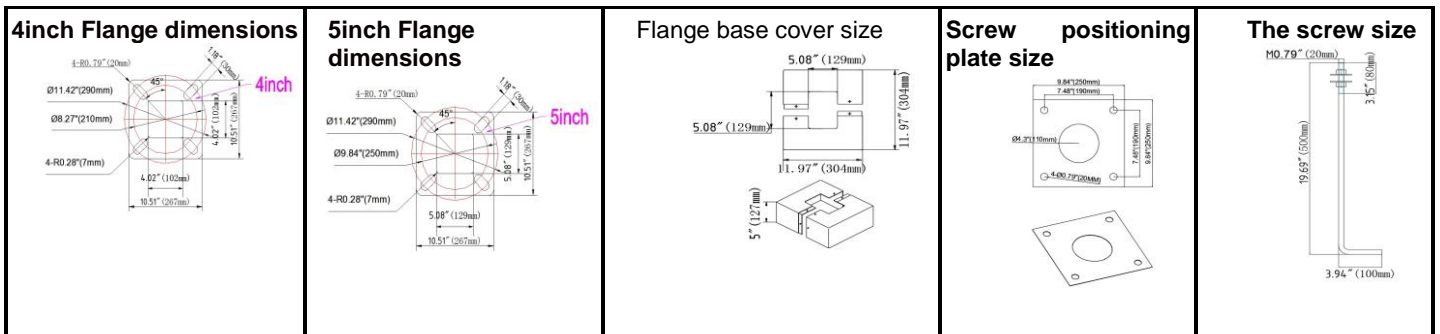
Mounting Options:

Standard Length Poles Include 2 3/8" OD Tenon, Side Drilled 4@90 Degrees, Polycarbonate Top Cover and Hole Plugs for Unused Drilling Locations.

Cut To Order Poles can be Side Drilled for 2@180 Degrees or 4@90 Degrees, Includes Polycarbonate Top Cover and Hole Plugs for Unused Drilling Locations.

Cut To Order Poles May Also Be Ordered With 2 3/8" OD Tenons for Use With Post Top Decorative Luminaires, Flood/Area Slip Fitter Fixtures, or Any of a Wide Variety of Pole Top Mounting Accessories.

Our standard equipment is to make a top adapter with 2.5 inches. There is no opening on the top of the light pole. If ARM installation is needed, the top adapter shall be removed and holes shall be opened on the wall of the light pole. Finally, seal the top with a plastic rain cover.





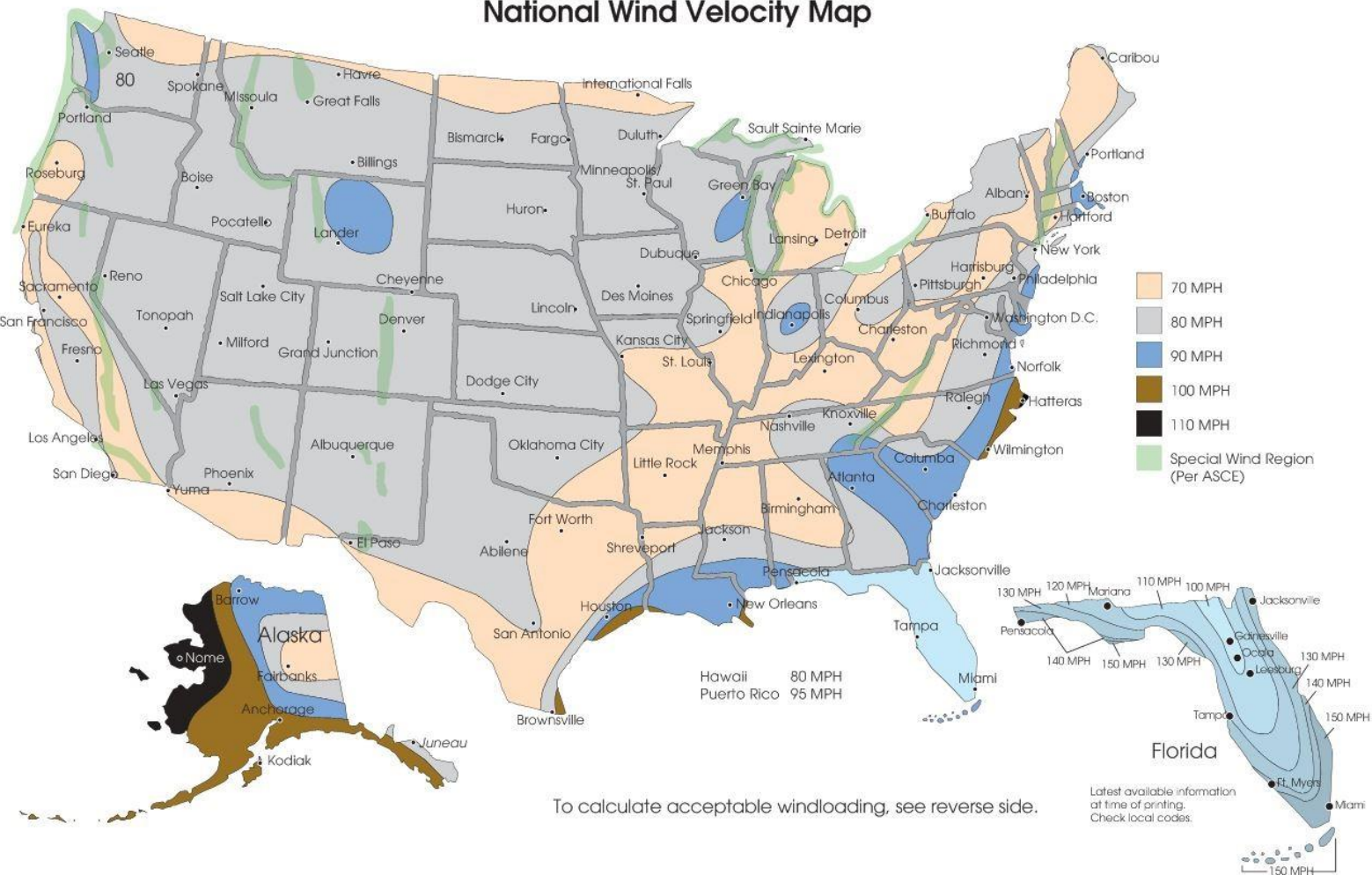
Straight Square Steel Light Poles, 4" and 5"

Specifications:

Dimension data:

Catalog #	Mt. height	Wall thickness	Shaft size	Base size	Bolt circle	Bolt projection	Bolt size	Pole weight	EPA 70	EPA 80	EPA 90	EPA 100	EPA 110	EPA 120
72-110	10 ft.	11 gauge	4x4 in.	11 in.	8-11 in.	2.75 in.	3/4x17x3in.	88 lbs.	25.2	20.5	17.1	11.4	10.3	9.6
72-115	15 ft.	11 gauge	4x4 in.	11 in.	8-11 in.	2.75 in.	3/4x17x3in.	117 lbs.	15.2	12.5	10.1	8.5	6.9	5.4
72-120	20 ft.	11 gauge	4x4 in.	11 in.	8-11 in.	2.75 in.	3/4x17x3in.	152 lbs.	9.2	7.3	6	4.2	3	1.6
72-125	25 ft.	11 gauge	4x4 in.	11 in.	8-11 in.	2.75 in.	3/4x17x3in.	190 lbs.	8.9	6.9	5.7	4.1	3.6	2.2
72-130	30 ft.	11 gauge	5x5 in.	11 in.	10-12 in.	3.375 in.	3/4x17x4in.	267 lbs.	7.2	5.4	4.1	3.8	2.8	1.2

National Wind Velocity Map



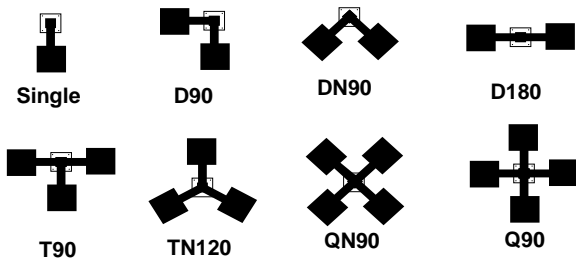


MOUNTING OPTIONS:

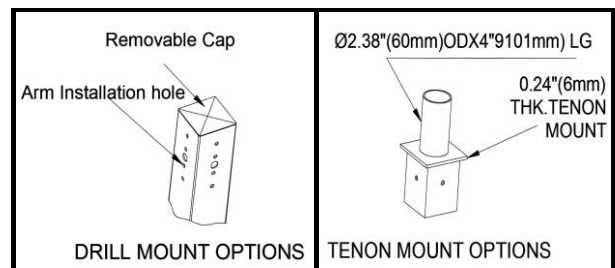
	<p>Base Mounting Screw Finish: Silver Before installing the lamp pole, the installation hook should be buried underground and fixed by cement. After fixing, the lamp pole should be fixed by locking screw and base installed.</p>		<p>Install Base Shield Finish: Dark Bronze The 5" Installation of base shield is used to protect the base after fixing the lamp pole, so that the lamp pole base is not damaged, thereby increasing the service life of the lamp pole.</p>
	<p>Install Base Shield Finish: Dark Bronze The 4" Installation of base shield is used to protect the base after fixing the lamp pole, so that the lamp pole base is not damaged, thereby increasing the service life of the lamp pole.</p>		<p>Screw Positioning Plate Finish: Dark Bronze This is a screw rod positioning plate. After the screw rod of the lamp rod base is fixed underground, the positioning plate is fixed with the screw rod to prevent the screw rod from deviation. Finally, the lamp rod is locked.</p>

Company	Height	Size	Wall Thickness	Finish	Mounting
Rugged Grade	10 FT (3.0M) 15 FT (4.6M) 20 FT (6.1M) 25 FT (7.6M) 30 FT (9.1M)	4 (4X4in.) 5 (5X5in.)	11 (11gauge)	D Dark Bronze	2 3/8 inch adapter

Fixture Configurations:



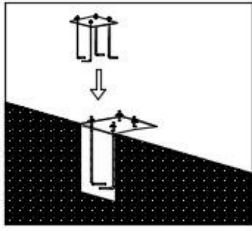
Light pole top:



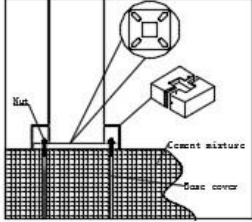
Installation:



Straight Square Steel Light Poles, 4" and 5"

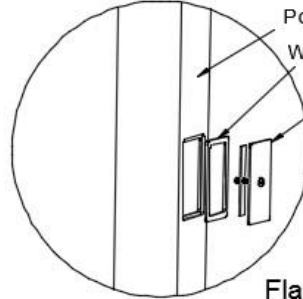


1. Dig a hole in the installation position of the lamp pole. Fix four fastener fittings according to the hole position of lamp pole and pour with cement concrete. (as shown in the figure)



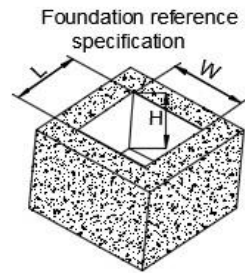
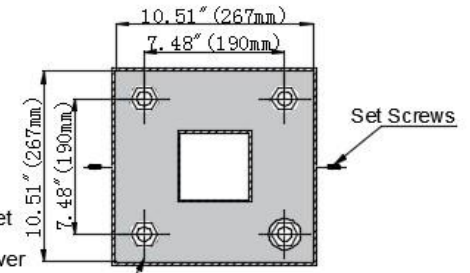
2. Align the four bolts of the lamp pole to the mounting hole of the lamp pole. After fixing the lamp pole with a nut, install a protective cover at the lower end of the lamp pole. (as shown in the figure)

3"X5" HAND HOLE COVER

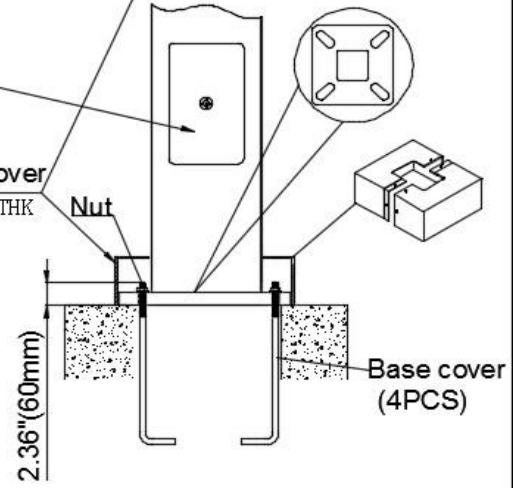


Flange base cover
0.07" (1.8mm) THK

ANCHORAGE GUIDE



Specifications	L	W	H
10-15FT	19.69" (500mm)	19.69" (500mm)	23.62" (600mm)
20-25FT	23.62" (600mm)	23.62" (600mm)	27.56" (700mm)
30FT	27.56" (700mm)	27.56" (700mm)	27.56" (700mm)



AWA