



Commercial Area Medium (SMA)

Outdoor Area, Wall & Flood Light



OVERVIEW	
Lumen Package	28,000 - 42,000
Wattage Range	200 - 296
Efficacy Range (LPW)	133 - 146
Weight lbs(kg)	19 (8.7)
Control Options	IMSBT, ALB, ALS, 7-Pin

QUICK LINKS

FEATURES & SPECIFICATIONS

Construction

- Rugged die-cast aluminum housing for maximum durability and reliability.
- IP65 rated luminaire protects integral components from harsh environments.
- Shipping weight: 19.16 lbs in carton.

Optical System

- Premium engineered IP65 rated optic assemblies deliver Type 3, 4 (FT), 5 (5W), 4x4 (M) or 6x6 (W) distributions.
- Zero uplight with pole mount arm or wall mount bracket.
- Available in 5000K and 4000K color temperatures per ANSI C78.377.
- Minimum CRI of 70.

Electrical

- High-performance driver features shortcircuit and over temperature protection with integral surge protection (6kV).
- 0-10V dimming (10% - 100%) standard.
- Standard Universal Voltage (120-277 Vac) Input 50/60 Hz.
- Total harmonic distortion (THD): <20%
- Operating temperature: -40°C to +40°C (-40°F to +104°F).
- Power factor (PF): >.90
- Input power stays constant over life.
- Optional 20kV surge protection device meets a minimum Category C Low operation (per ANSI/IEEE C62.41.2).
- High-efficacy LEDs mounted to metal-core circuit board to maximize heat dissipation.

Controls

- Integral passive infrared Bluetooth™ motion and photocell sensor options. Fixtures operate independently and can be commissioned via an iOS or Android configuration app.
- LSI's AirLink™ Blue lighting control system is a simple feature rich wireless Bluetooth mesh network. The integrated fixture sensor module provides wireless control of grouped fixtures based on motion sensors, daylight or a fully customizable schedule. Updates and modifications to the control strategy are easily implemented via an intuitive iOS app.

Installation

- Mounting method ships separately and can be quickly connected to the luminaire.
- Wiring leads extended out of the main housing eliminating the need of opening the luminaire electrical chamber.
- Utilizes B2 pole drill pattern for arm mounting.
- Utilizes adjustable slip fitter for mast arm or tenon mounting.
- Die-cast slip fitter allows for mounting onto a 2" (51mm) IP, 2.375" (60mm) O.D. tenon allowing for tilt not to exceed 45 degrees up from horizontal.
- Wall mount bracket with universal plate easily mounts to a 4" octagonal or square junctions box.
- Trunnion mount to any surface with 5/16" bolts (provided by others) for tilt not to exceed 45 degrees up from horizontal.

Warranty

- LSI luminaires carry a 5-year limited warranty. Refer to <https://www.lsicorp.com/resources/terms-conditions-warranty/> for more information.

Listings

- Listed to UL 1598 and UL 8750.
- Title 24 Compliant; see local ordinance for qualification information.
- Suitable for wet Locations
- IP65 rated Luminaire per IEC 60598
- 1.5G rated for ANSI C136.31 high vibration applications are qualified.
- DesignLights Consortium® (DLC) Premium qualified product. Not all versions of this product may be DLC Premium qualified. Please check the DLC Qualified Products List at www.designlights.org/QPL to confirm which versions are qualified.

Commercial Area Medium (SMA) Outdoor Area, Wall & Flood Light

Type : _____

 **Have questions?** Call us at (800) 436-7800

ORDERING GUIDE

TYPICAL ORDER EXAMPLE: SMA LED 28L ACR FT UNV DIM 40 IMSBT2 BRZ PM							
Prefix	Light Source	Lumen Package ¹	Lens	Distribution	Voltage	Driver	Color Temperature
SMA - Medium Commercial Area	LED	28L - 28,000 lms, 200W 42L - 42,000 lms, 296W	ACR	3 - Type 3 5W - Type 5 Wide FT - Type 4 Forward Throw M - 4x4 Medium Flood W - 6x6 Wide Flood	UNV - Universal Voltage (120-277VAC)	DIM - 0-10V Dimming	50 - 5,000K CCT 40 - 4,000K CCT
Controls (Choose One)				Finish	Mounting Options		Options
Blank - None Wireless Controls System ALBCS1 - AirLink Blue Wireless Motion & Photo Sensor Controller (8-24' MH) ³ ALBCS2 - AirLink Blue Wireless Motion & Photo Sensor Controller (25-40' MH) ³ Stand-Alone Controls CR7P - 7 Pin Control Receptacle ANSI C136.41 ² IMSBT1L - Integral Bluetooth™ Motion and Photocell Sensor (8-24' MH) ³ IMSBT2L - Integral Bluetooth™ Motion and Photocell Sensor (25-40' MH) ³				BRZ - Bronze	PM - Square Pole Mount Arm SF - Adjustable Slip fitter WM - Wall Mount Bracket TR - Trunnion Mount		Blank - None SP1 - 10kV Surge Protection Device IHS - Integral House Side Shield ⁷



Need more information?
[Click here for our glossary](#)

Have additional questions?
 Call us at (800) 436-7800



CONTROLS ACCESSORY ORDERING INFORMATION^{2,4}

Part Number	Order Number	Description
122514		PC120 Photocell for use with CR7P option (120v)
122515		PC208-277 Photocell for use with CR7P option (208V, 240V, 277V)
149328		Shorting Cap for use with CR7P
661409	ALS C UNV TL5	AirLink 5 Pin Twist Lock Controller
661410	ALS-C-UNV-TL7	AirLink 7 Pin Twist Lock Controller
741967	ALBTK	AirLink Blue Time Keeper

FUSING ACCESSORY ORDERING INFORMATION^{4,5}

Part Number	Order Number	Description
See Fusing Guide		Single Fusing (120V)
		Single Fusing (277V)

MOUNTING ACCESSORY ORDERING INFORMATION^{4,6}

Part Number	Description
SARPA45 BRZ	Round Pole Adapter for SSA/SMA for 4" or 5" OD Poles
SARPA3 BRZ	Round Pole Adapter for SSA/SMA for 3" or 3.5" OD Poles
751534 CLR	Quick Pole Mount Bracket (Square Pole)
740022 CLR	15° Quick Pole Mount Bracket (Square Pole)
750440	Wood Pole Bracket (6" Minimum OD Pole, Bronze Finish, Requires Pole Mount Arm)
750441	Wall Mount Bracket for PM Arm (Bronze Finish, Requires Pole Mount Arm)
BKA 2NM Q90 BRZ	Square Pole Tenon Adapter (For 2 3/8" Tenon)
751632	10' Linear Bird Spike Kit (3' Recommended per Luminaire)
801408	SMA Type FT Integral House Side Shield Kit
801410	SMA Type 3/5W Integral House Side Shield Kit
739106	Wet Location Surface Conduit/Wiring Box (Bronze)

1 9L and 21L lumen packages available, consult factory.

2 Control device or shorting cap must be ordered separately. See Accessory Ordering Information.

3 Sensors are field configurable via app that can be downloaded from your smartphone's native app store. Sensors are not recommend when tilting luminaire above horizontal utilizing the adjustable slip fitter or trunnion mount.

4 Mounting and accessories are shipped separately and field installed.

5 Fusing must be located in hand hole of pole.

6 "CLR" denotes finish. See Finish options.

7 Not available with M or W flood distributions.



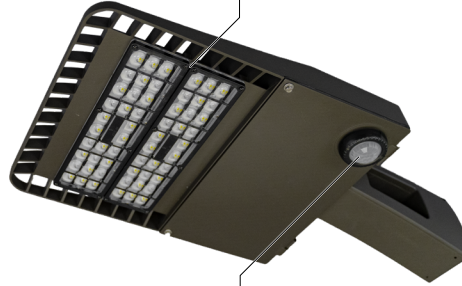
 **Have questions?** Call us at (800) 436-7800

MOUNTING OPTIONS/ACCESSORIES

**Luminaire Shown with
7-Pin Control Receptacle
(CR7P)**



**Luminaire Shown with
Integral House Side Shield
(IHS)**



**Integral Bluetooth™ Motion and Photocell Sensor
(IMSBTxL)**

**Luminaire Shown with
Wall Mount Bracket
(WM)**



**Pole Mount Arm for
B2 Drill Pattern
(PM)**



**Adjustable Slip Fitter for
Mast Arm and Tenon
(SF)**



**Luminaire Shown with
Trunnion Mount
(TR)**



Commercial Area Medium (SMA) Outdoor Area, Wall & Flood Light

Type: _____

 Have questions? Call us at (800) 436-7800

PERFORMANCE

Delivered Lumens (Area/Wall Distributions) ¹									
Lumen Package	Distribution	CRI	4000K CCT			5000K CCT			Wattage
			Delivered Lumens	Efficacy	BUG Rating	Delivered Lumens	Efficacy	BUG Rating	
28L	3	70	28,344	142	B4-U0-G4	28,037	140	B4-U0-G4	200
	FT		27,547	138	B4-U0-G3	27,249	137	B4-U0-G3	
	5W		28,393	142	B4-U0-G2	28,086	141	B4-U0-G2	
42L	3	70	41,402	140	B4-U0-G4	40,954	138	B4-U0-G4	296
	FT		40,238	136	B4-U0-G4	39,803	135	B4-U0-G4	
	5W		41,474	140	B5-U0-G3	41,025	139	B5-U0-G3	

Delivered Lumens (Flood Distributions) ¹									
Lumen Package	Distribution	CRI	4000K CCT			5000K CCT			Wattage
			Delivered Lumens	Efficacy	NEMA Rating	Delivered Lumens	Efficacy	NEMA Rating	
28L	M	70	29154	146	4 x 4	28834	144	4 x 4	200
	W		27311	137	6 x 6	27010	135	6 x 6	
42L	M	70	42595	144	4 x 4	42127	142	4 x 4	296
	W		39902	135	6 x 6	39463	133	6 x 6	

Electrical Data - Current Draw AMPS ²				
Lumen Package	120V	208V	240V	277V
28L	1.67	0.96	0.83	0.72
42L	2.47	1.42	1.23	1.07

Recommended Lumen Maintenance - SCM 20L ³					
Ambient Temperature °C	Initial ⁴	25K hrs. ⁴	50K hrs. ⁴	75K hrs. ⁵	100K hrs. ⁵
0 - 40	100%	94%	87%	81%	76%

¹ LEDs are frequently updated therefore values are nominal.

² Electrical data at 25C (77F). Actual wattage may differ by +/-10%.

³ Lumen maintenance values at 25C are calculated per TM-21 based on LM-80 data and in-situ testing.

⁴ In accordance with IESNA TM-21-11, Projected Values represent interpolated value based on time durations that are within six times the IESNA LM-80-08 total test duration for the device under testing.

⁵ Lumen maintenance values at 25C are calculated per TM-21 based on LM-80 data and in-situ testing times the IESNA LM-80-08 total test duration for the device under testing

Commercial Area Medium (SMA) Outdoor Area, Wall & Flood Light

Type : _____

 Have questions? Call us at (800) 436-7800

PHOTOMETRICS

Luminaire photometry has been conducted by a NVLAP accredited testing laboratory in accordance with IESNA LM-79-08. As specified by IESNA LM-79-08 the entire luminaire is tested as the source resulting in a luminaire efficiency of 100%.

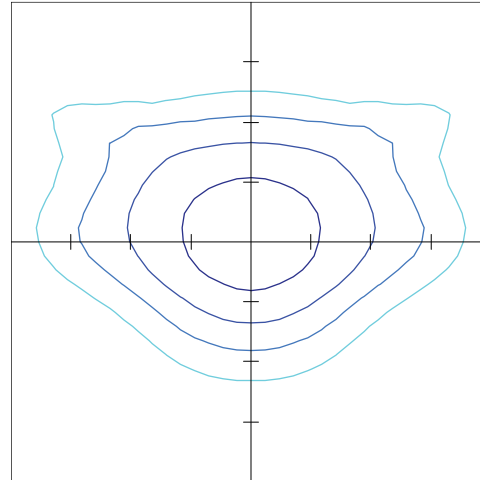
See the individual product page on <https://www.lsicorp.com/> for detailed photometric data.

SMA-28L-3-40

Luminaire Data	
Wide Distribution	
Description	4000 Kelvin, 70 CRI
Delivered Lumens	28,344
Watts	200
Efficacy	142
IES Type	Type III - Medium
BUG Rating	B4-U0-G4

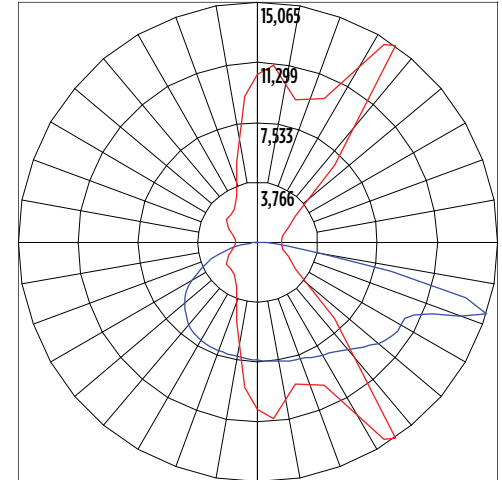
Zonal Lumen Summary		
Zone	Lumens	% Luminaire
Low (0-30°)	5,136	18%
Medium (30-60°)	13,809	49%
High (60-80°)	8,722	31%
Very High (80-90°)	678	2%
Uplight (90-180°)	0	0%
Total Flux	28,345	100%

ISO Footcandle



20' Mounting Height / 20' Grid Spacing
 5 FC 2 FC 1 FC 0.5 FC

Polar Curve



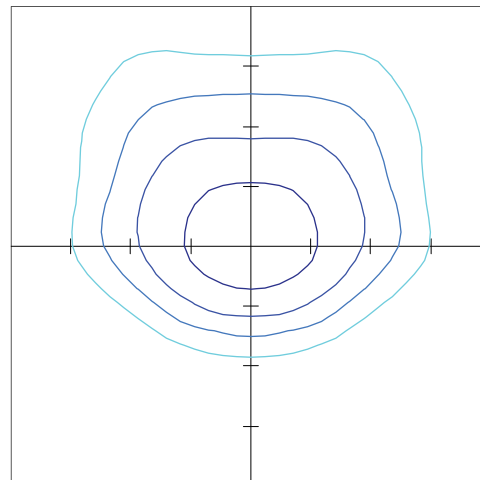
Vertical Plane Horizontal Cone

SMA-28L-FT-40

Luminaire Data	
Wide Distribution	
Description	4000 Kelvin, 70 CRI
Delivered Lumens	27,547
Watts	200
Efficacy	138
IES Type	Type IV - Short
BUG Rating	B4-U0-G3

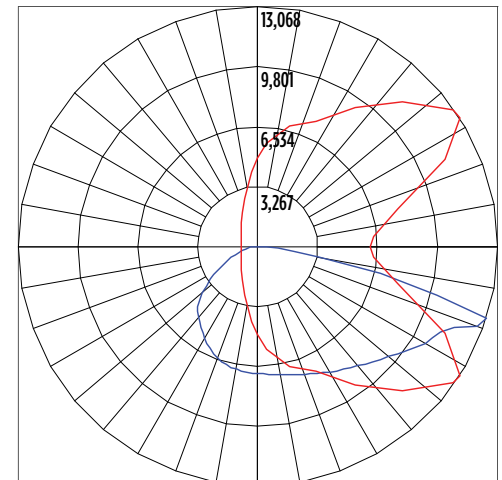
Zonal Lumen Summary		
Zone	Lumens	% Luminaire
Low (0-30°)	4,861	18%
Medium (30-60°)	13,275	48%
High (60-80°)	8,881	32%
Very High (80-90°)	530	2%
Uplight (90-180°)	0	0%
Total Flux	27,547	100%

ISO Footcandle



20' Mounting Height / 20' Grid Spacing
 5 FC 2 FC 1 FC 0.5 FC

Polar Curve



Vertical Plane Horizontal Cone

Commercial Area Medium (SMA) Outdoor Area, Wall & Flood Light

Type: _____

 Have questions? Call us at (800) 436-7800

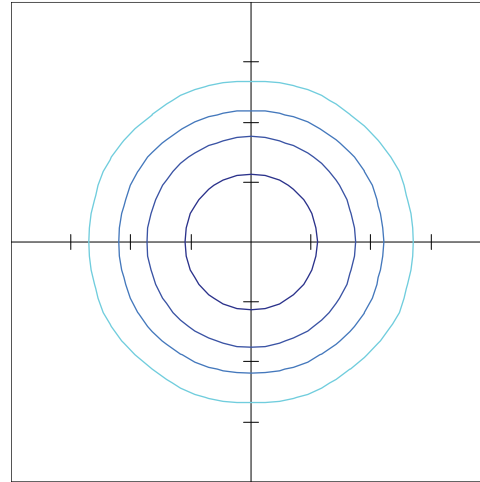
PHOTOMETRICS

SMA-28L-5W-40

Luminaire Data	
Wide Distribution	
Description	4000 Kelvin, 70 CRI
Delivered Lumens	28,392
Watts	200
Efficacy	142
IES Type	Type VS - Very Short
BUG Rating	B4-U0-G3

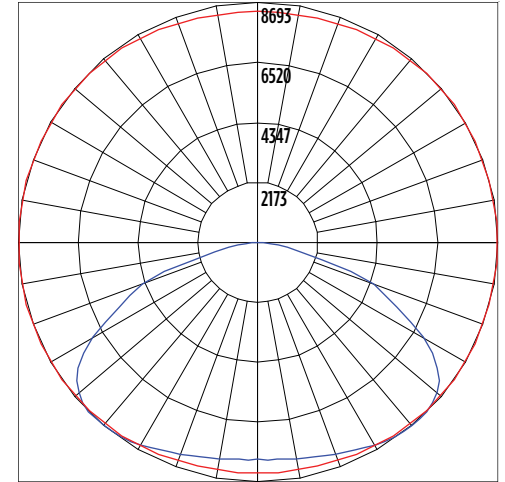
Zonal Lumen Summary		
Zone	Lumens	% Luminaire
Low (0-30°)	5,603	20%
Medium (30-60°)	15,007	53%
High (60-80°)	7,117	25%
Very High (80-90°)	664	2%
Uplight (90-180°)	0	0%
Total Flux	28,392	100%

ISO Footcandle



20' Mounting Height / 20' Grid Spacing
 5 FC 2 FC 1 FC 0.5 FC

Polar Curve

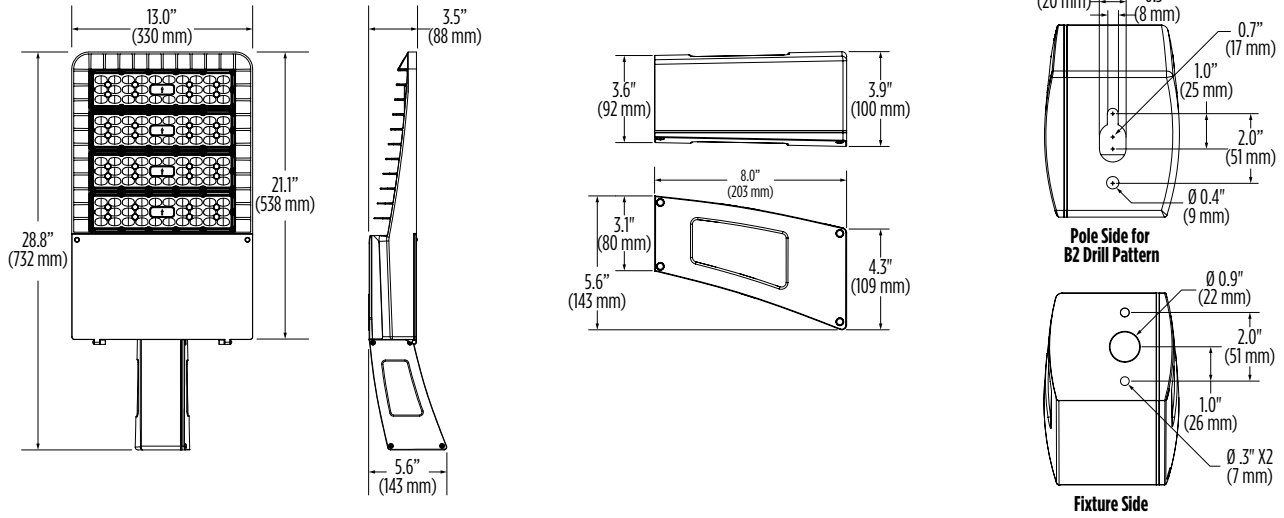


Vertical Plane Horizontal Cone

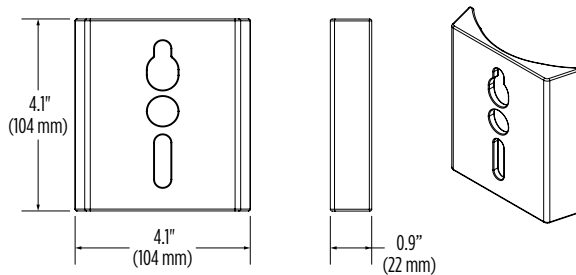
Have questions? Call us at (800) 436-7800

PRODUCT DIMENSIONS

Square Pole Mount Arm (PM)

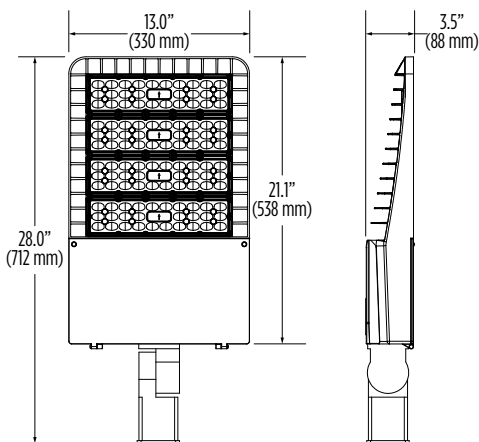


Round Pole Adapter (SARPA45 BRZ)

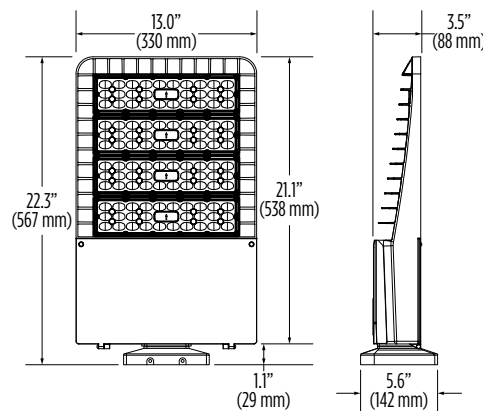


Luminaire EPA Chart - SMA						
Configuration	Single	D180°	D90°	T90°	TN120°	Q90°
EPA	0.55	1.10	0.95	1.50	1.74	1.74

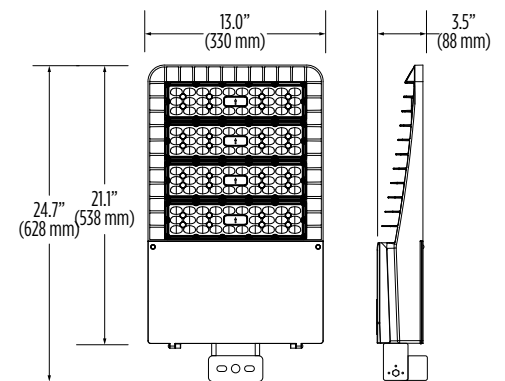
Adjustable Slip Fitter for Mast Arm and Tenon (SF)



Wall Mount Bracket (WM)



Trunion Mount (TR)



CONTROLS

Integral Bluetooth™ Motion and Photocell Sensor (IMSBTxL)

Slim low profile sensor provides multi-level control based on motion and/or daylight. Sensor controls 0-10 VDC LED drivers and is IP66 rated for cold and wet locations (-40°F to 167°F). Two unique PIR lenses are available and used based on fixture mounting height. All control parameters are adjustable via an iOS or Android App capable of storing and transmitting sensor profiles.

[Click here to learn more details about IMSBT](#)



LEVITON App



Apple



Android

AirLink Blue (ALBCSx)

Wireless Bluetooth Mesh Outdoor Lighting Control System that provides energy savings, code compliance and enhanced safety/security for parking lots and parking garages. Three key components; Bluetooth wireless radio/sensor controller, Time Keeper and an iOS App. Capable of grouping multiple fixtures and sensors as well as scheduling time-based events by zone. Radio/Sensor Controller is factory integrated into Area/Site, Wall Mounted, Parking Garage and Canopy luminaires.

[Click here to learn more details about AirLink Blue](#)



AirLink Blue App



Apple

Sensor Sequence of Operations

Standard Programming	On Event	Off Event	On Light Level	Dim Light Level	Daylight Harvesting	Delay To Off	Sensitivity
OMSBTxL/IMSBTxL	Motion	No Motion	100%	N/A	On; Auto Calibration	20 minutes	High
OMS	Motion	No Motion	N/A	N/A	N/A	30 seconds	Auto

Operation	Description
On Event	Trigger that activates lights to turn on; either automatic via motion detected or manually activated via push of button.
Off Event	Trigger that activates lights to turn off; either automatic via no motion detected or manually activated via push of button.
On Light Level	The light level that the fixtures will turn on to when ON EVENT occurs.
Dim Light Level	The light level that the fixtures will dim down to when no motion is detected.
Delay to Dim	The amount of time after which no motion is detected that the fixtures will be triggered to dim down. This sequence is optional, and sensor can be programmed to only trigger the fixture to turn off by entering 100% in this field.
Delay to Off	The amount of time after which no motion is detected that the fixtures will be triggered to turn off. If delay to dim is part of the programmed functionality, this is the amount of time after which no motion is detected after the fixture have already dimmed down.
Sensitivity	The sensitivity can be set to high, medium, low, or auto where applicable. High will detect smaller, simple motions. Low will only detect larger more complex motions. Auto temperature calibration adjusts the PIR sensitivity as ambient temperature rises to increase detection of heat movement through the field of view.