



LISTED
E489165



40 Watt LED Wall Pack Light

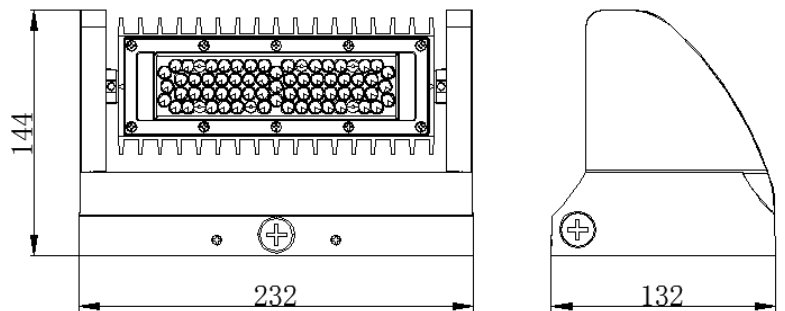
P/N : RGL-RWP02-40WAT1NA1-aaK

Note: "aaK" in the model name refers to CCT as below:
40K=4000K,50K=5000K,57K=5700K



Advantage:

- UL certificate
- IP65 Internal driver,
Input voltage 100-277VAC
- No UV or IR in the beam
- Easy to install and operate
- Energy saving, long lifespan
- Instant start, NO humming
- Green and eco-friendly without mercury.



Application:

- ◆ entrance lighting, courtyard lighting
- ◆ Industrial lighting, Outdoor landscape lighting;
- ◆ Hotels, Office Complex, Hospitals,
- ◆ Wall lighting area and so on.

DLC Premium 4.3 Listed at 126 Lumens to Watt

Model# RGL-RWP02-40WCT1NA1-50K

Manufacturer: RuggedGrade
Brand: RuggedGrade
Technical Requirements Version: 4.3
Date Qualified: 05/16/2018
Product ID: PLEIEVCTJJ2V

Categorization

Main: Outdoor Luminaires
General Application: Mid Output
Primary Use: Outdoor Full-Cutoff Wall-Mounted Area Luminaires

Classification: Premium
Is Parent Product: No
DLC Family Code: NANOUH
Listing Status: Listed

Reported Data

Zonal Lumens

Spacing Criteria

Product Features

Version History

Family Data

Light Output: 5001.2 lm
Wattage: 39.22 W
Efficacy: 127.53 lm/W
Power Factor: 0.897
CCT: 5000 K
CRI: 70
Total Harmonic Distortion: 17.32 %



Product Specifications

Product name	LED Wall Pack Light
Part No	RGL-RWP02-40WAT1NA1-aaK 5000K SKU 51-202(black) 51271(brown)
Dimension	232 x 132 x144 mm

Technical Characteristic

Color temperature	4000K、 5000K、 5700K
CRI	>70
Lumen	5000-5200LM
Lumen Efficacy	125-135LM/W
Input Power	40W
Viewing Angle	60°
Input Voltage	100-277VAC 50/60Hz
Driver	Rugged Grade Driver
PF	>0.9
Waterproof Rating	IP65

Materials

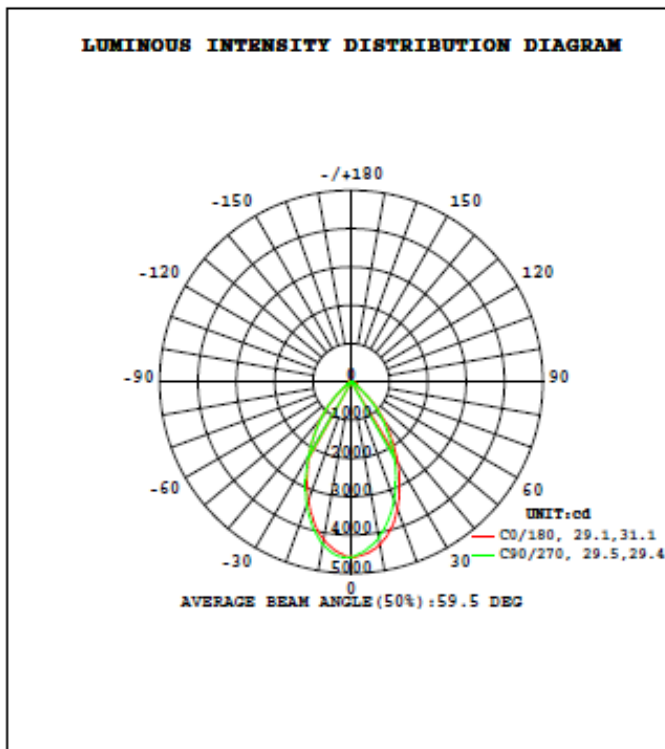
LED Brand	LUMILEDS
LED Type	LUXEON 3030 2D
LED QTY	49 PCS
Housing	Aluminum
Housing color	Black or Dark Brown

Others

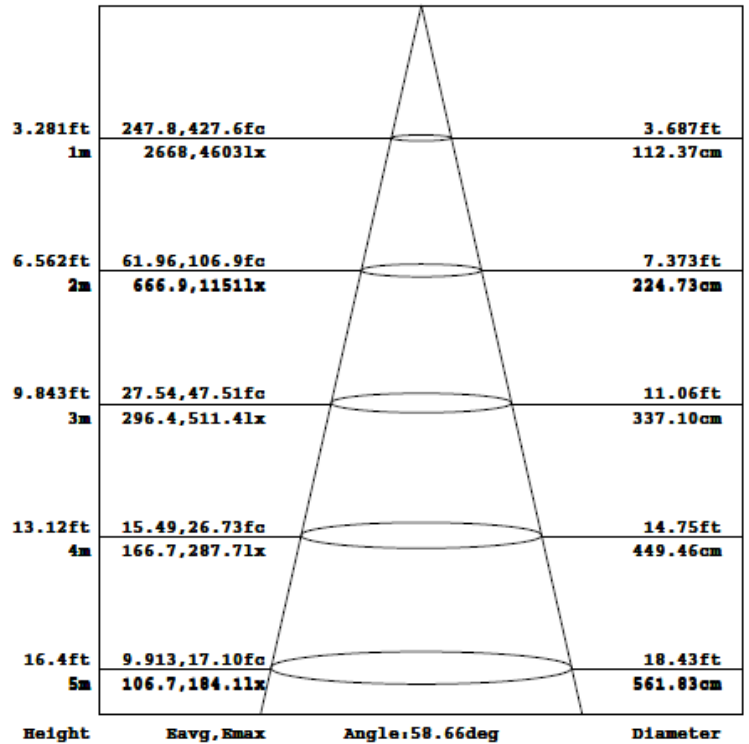
Operating Temperature	-20°C TO 45°C
Operating Humidity	20%-90% RH
Storage Temperature	-30°C TO 80°C
Storage Humidity	10%-95%
Application	Indoor / Outdoor
Safety Certification	UL
Warranty Time	5 Years

Light Distribution Testing Parameters

DATA OF LAMP		PHOTOMETRIC DATA Eff: 125.76 lm/W			
MODEL		I _{max} (cd)	4601	S/MH(C0/180)	0.86
NOMINAL POWER (W)	40	LOR (%)	100.0	S/MH(C90/270)	0.88
RATED VOLTAGE (V)	120	TOTAL FLUX (lm)	4886.2	η UP, DN (C0-180)	0.1, 50.1
NOMINAL FLUX (lm)	4886.23	CIE CLASS	DIRECT	η UP, DN (C180-360)	0.1, 49.8
LAMPS INSIDE	1	η up (%)	0.2	CIBSE SHR NOM	0.75
TEST VOLTAGE (V)	120.0	η down (%)	99.8	CIBSE SHR MAX	0.95



Flux out: 2794 lm



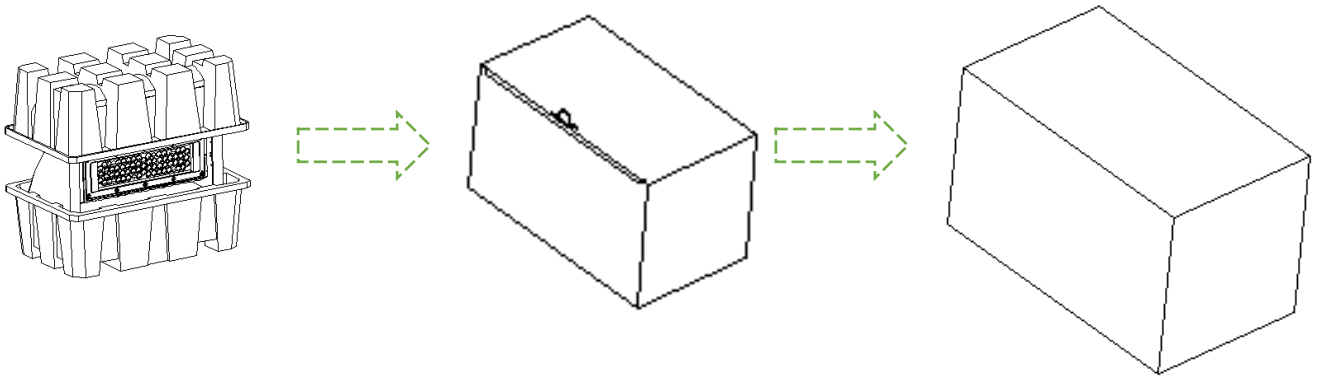
Note: The Curves indicate the illuminated area and the average illumination when the luminaire is at different distance.



Package

Lamps Net Weight: 2.02kg / pcs

	Size	Qty/Carton	Weight/Carton
Outer box	370*290*405mm	4	10.1 kg



Notice For User

- ◆ Please turn off power before install or change assembly parts.
- ◆ The input voltage and lamps should be matched, after connecting the power line, Please make sure the wiring section is insulated.
- ◆ No-professionals, must not install and disassemble the lamps.

Trouble Shootings

Troubles	Check points
Flickering of the light	Turn off the power and turn on again in 3 minutes. If same phenomena occur, then call agencies
Out of working	Please check the connection