



P/N:RG-CANOPY-G3-150WSASA1-ab

Note:

- AST= Company name.
- CP3B = Product series, LED Canopy Light.
- 150W = Rating Power.
- S=Driver manufacturer,
- A=LED manufacturer, Hongli 2835
- S= Cover type .striped lens.
- A1 = Version number.
- a = Housing colors, WH=White,
- b= CCT , 40=4000K 45=4500K 50=5000K 57=5700K

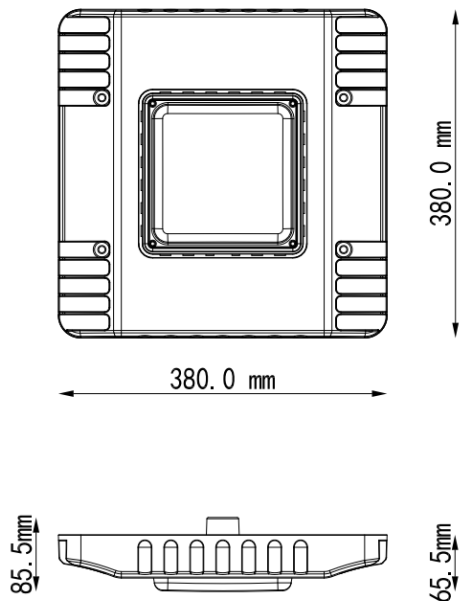
ADVANTAGE

- UL cUL DLC certificate.
- IP65 driver, input voltage 100-277VAC.
- No UV or IR in the beam.
- Easy to install and operate.
- Energy saving, long lifespan.
- Light is soft and uniform, safe to eyes.
- Instant start, NO flickering, NO humming.
- Green and eco-friendly without mercury.

APPLICATION

- Widely used in gas station, service station, underground parking lot, warehouse, garage;

DIMENSIONS



SPECIFICATIONS

OPTICAL	Input Power	150Watt
	Lumen	18750 - 19050LM
	Lumen Efficacy	125-127 LM/W
	Color Temperature	4000K 4500K 5000K 5700K.
	CRI	>80
	Viewing Angle	120 Degree
ELECTRICAL	Input Voltage	100-277VAC 50/60Hz
	PF	≥0.9
	THD	≤15%
	Driver Model	Rugged Grade Brand Driver
MATERIALS	LED Brand	HongLi
	LED Type	SMD2835 (0.5W)
	LED QTY	465 PCS
	Housing	Aluminum Alloy
	Housing Color	White
	Cover	Stripe Lens
	Waterproof Rating	WET (IP65)
OTHERS	Operating Temperature	-40°C TO +60°C
	Operating Humidity	10%-90% RH
	Storage Temperature	-40°C TO +85°C
	Storage Humidity	5%-95% RH
	Warranty Time	5 Years

150 Watt DLC Premium Listed LED Canopy Light



DLC Premium Rated

133 Lumens to watt and 80 CRI! Use Product ID: PL0M2JCHH6HF

Model# RG-CANOPY-G3-150WSASA1-a50

Manufacturer: RuggedGrade
Brand: RuggedGrade
Technical Requirements Version: 4.4
Date Qualified: 11/29/2018
Product ID: PL0M2JCHH6HF

Categorization

Main: Outdoor Luminaires
General Application: High Output
Primary Use: Fuel Pump Canopy Luminaires
System Type: AC

Classification: Premium
Is Parent Product: No
DLC Family Code: JJJNVM
Listing Status: Listed

Reported Data	Zonal Lumens	Spacing Criteria	Product Features	Version History	Family Data
---------------	--------------	------------------	------------------	-----------------	-------------

Light Output: 19974.3 lm
Wattage: 150.06 W
Efficacy (AC): 133.11 lm/W
Power Factor: 0.9
CCT: 5000 K
CRI: 80
Total Harmonic Distortion: 15 %



LIGHT DISTRIBUTION TESTING PARAMETERS

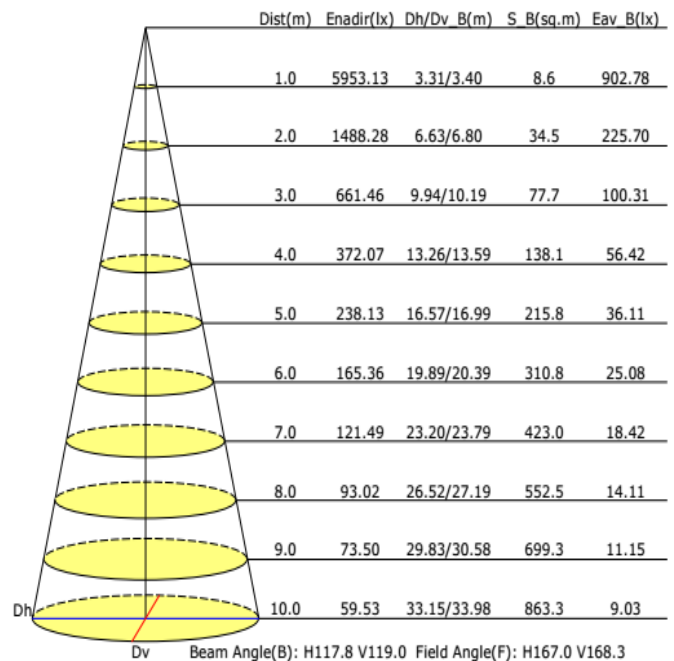
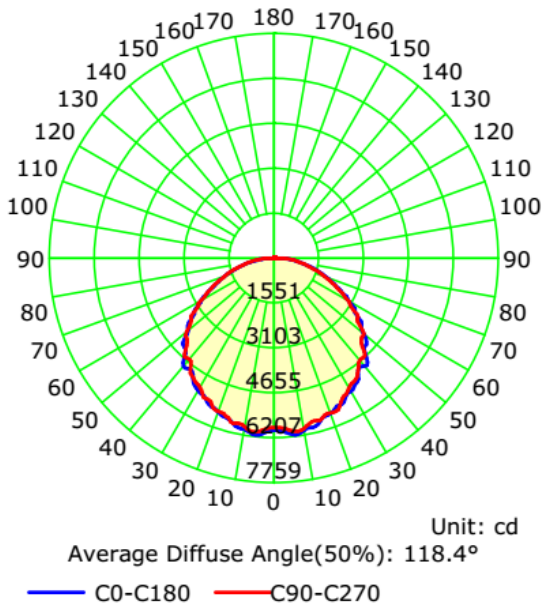
Photometric Results

CIE Class: Direct
 Measurement Flux: 18965.2 lm
 Downward Ratio: 99%
 Horizontal Diffuse Angle(50%): H117.8
 Vertical Diffuse Angle(50%): V119
 Luminaire Efficacy Rating (LER): 126.15
 Max. Intensity: 6207.61 cd
 S/MH(C0/C180): 1.32

Total Rated Lamp Lumens: 18965.2 lm
 Efficiency: 100%
 Upward Ratio: 1%

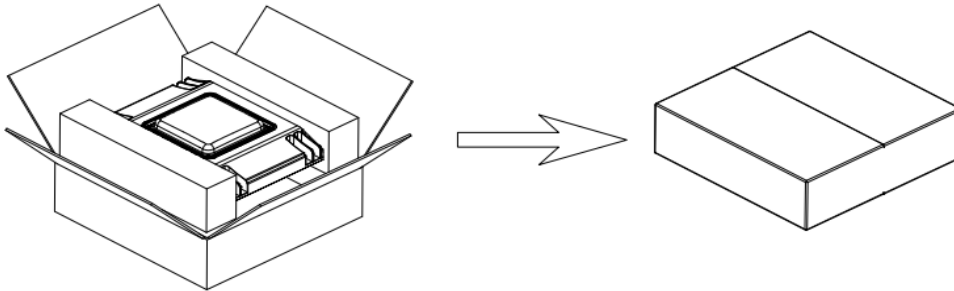
Central Intensity: 5953.13 cd
 Pos of Max. Intensity: H45 V10
 S/MH(C90/C270): 1.32

Luminous Intensity Distribution Curve



PACKAGE

	Size	Qty/ Carton	Weight/ Carton
Outer box	425 x 420 x 120mm	1 PC	5.1 KG



NOTICE FOR USER

- Please turn off power before install or change assembly parts.
- The input voltage and lamps should be matched, after connecting the power line,
Please make sure the wiring section is insulated.
- No-professionals, must not install and disassemble the lamps.

TROUBLE SHOOTINGS

Troubles	Check points
Flickering of the light	Turn off the power and turn on again in 3 minutes. If same phenomena occur, then call agencies.
Out of working	Please check the connection.