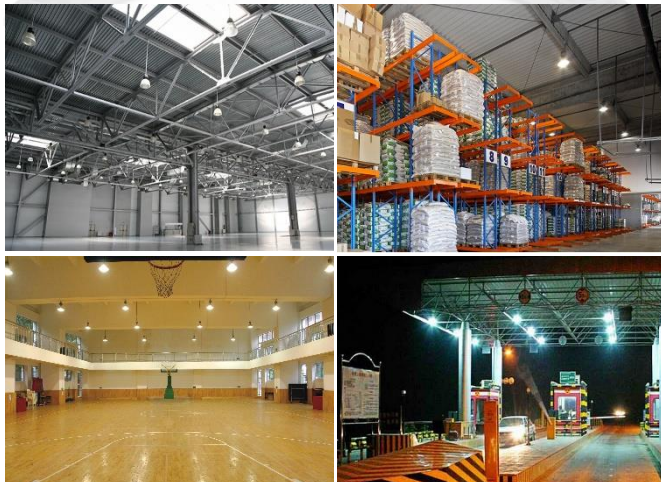




Corvus Series Performance High Bay  
with 83 CRI, 3.3ft Whip & DLC Premium



## RG-HighBay-VII-150WSACGD1-aaK

Note:

RG= Rugged Grade Company name

HB05 = Product series, LED High Bay Light

150W = Rating Power

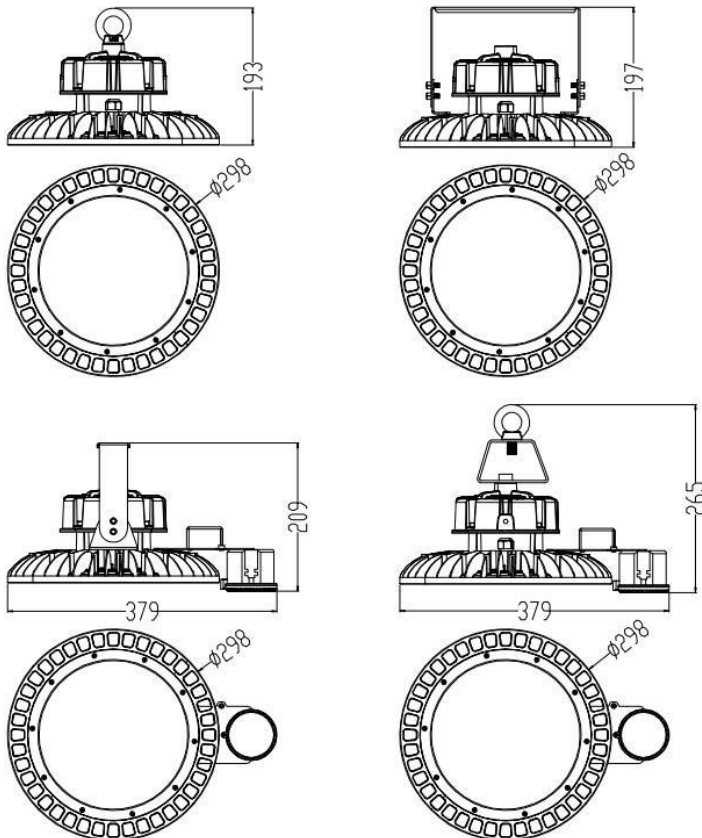
S= Driver manufacturer, SOSEN

X= LED manufacturer, A= Epistar 2835

Y= Cover type, X= CP, for Clear Plastic;

X= FP, for Frost Plastic;

X= CG. for Clear Glass:



### ADVANTAGE

- 3.3ft (1m) Cord for easier installation
- UL cUL certificate.
- IP65 driver, input voltage 100-277VAC.
- No UV or IR in the beam.
- Easy to install and operate.
- Energy saving, long lifespan.
- Light is soft and uniform, safe to eyes.
- Instant start, NO flickering, NO humming.
- Green and eco-friendly without mercury.

### APPLICATION

- Warehouse, factories and workshops;
- Sports, gymnasiums, Schools
- Exhibition hall, convention centers
- Retail and supermarkets, etc.

**SPECIFICATIONS**

<b>Numbers</b>	SKU	37-182 (5000K, No Sensor)	
	DLC Number	RG-HighBay-VII-150WSACGD1	
<b>OPTICAL</b>	Input Power	150Watt	
	Cover	Tempered Glass	LENS
	Lumen	20200-21750LM	19750-21000LM
	Viewing Angle	110°	60° 90° 120°
	Color Temperature	2700 - 6500K	
	CRI	>83	
<b>ELECTRICAL</b>	Input Voltage	100-277VAC	50/60Hz
	PF	≥0.9	
	THD	≤14%	
	Driver Model	Sosen T7 Driver (1-10Vdc Dimmer ) with 3.3ft Whip(power cord)	
	Optional Accessory	Motion Sensor/Surge-Protective Device	
<b>MATERIALS</b>	LED Type	SMD2835 (0.5W)	
	LED QTY	375 PCS	
	Housing	Aluminum Alloy	
	Housing Color	Black / Customized	
	Cover	LENS or Tempered Glass or PC	
	Waterproof Rating	WET (IP65)	
<b>OTHERS</b>	Operating Temperature	-40°C TO	50°C
	Operating Humidity	10%-90% RH	
	Storage Temperature	-40°C TO	80°C
	Storage Humidity	10%-95% RH	
	Warranty Time	5 Years	

Product ID: PLVR42LE2FL6 ✕



## RG-HighBay-VIIB-150WRBT2D1-abc40

Manufacturer: RuggedGrade  
Brand: RuggedGrade

### PRODUCT OVERVIEW

Classification	Premium
Primary Use	High-Bay Luminaires for Commercial and Industrial Buildings
Reported Input Wattage	152.16 W
Reported Light Output	20591.9 lm
Reported CCT	4000 K
Reported CRI (Ra)	83
Product ID	PLVR42LE2FL6
DLC Family Code	<a href="#">EMWAMB</a>
Listing Status	Listed
Date Qualified	2022-01-28

### PRODUCT INFORMATION

Qualified Product List	Solid State Lighting
Technical Requirements Version <span>1</span>	5.1
Product ID <span>1</span>	PLVR42LE2FL6
Manufacturer <span>1</span>	RuggedGrade
Brand	RuggedGrade
Model Number	RG-HighBay-VIIB-150WRBT2D1-abc40
Parent <span>1</span>	Yes
Classification <span>1</span>	Premium

### PRODUCT CATEGORIZATION

[VIEW DETAILS](#)

### PRODUCT CAPABILITIES

[VIEW DETAILS](#)

### REPORTED PHOTOMETRIC PERFORMANCE

Reported Light Output <span>1</span>	20591.9 lm
Reported Efficacy (AC) <span>1</span>	135.33 lm/W
Reported CCT <span>1</span>	4000 K
Reported CRI (Ra) <span>1</span>	83
Reported R9 <span>1</span>	8
Reported IES Rf	84
Reported IES Rg	96
Reported IES Rcs,h1	-12



## LIGHT DISTRIBUTION TESTING PARAMETERS

### Luminaire Property

Luminaire Manufacturer:  
Voltage: 120.6 V  
Power: 150.80 W

Current: 1.260 A  
Power Factor: 0.992

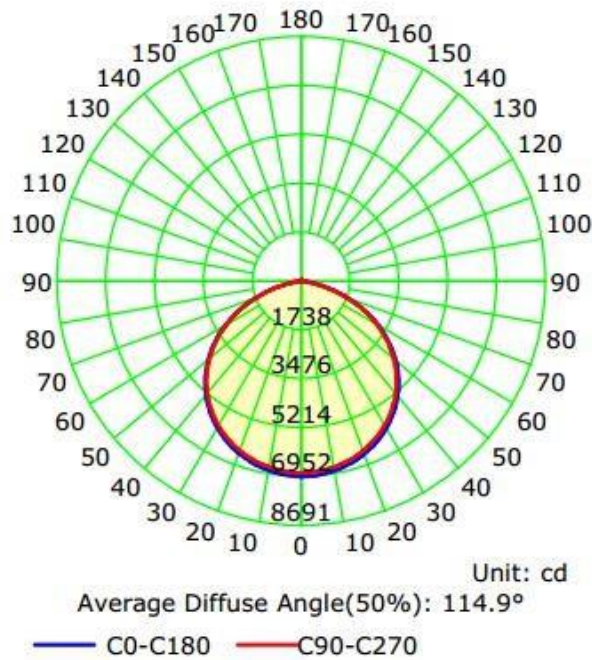
### Photometric Results

CIE Class: Direct  
Measurement Flux: 19616.2 lm  
Downward Ratio: 99%  
Horizontal Diffuse Angle(50%): H114.9  
Vertical Diffuse Angle(50%): V114.9  
Luminaire Efficacy Rating (LER): 130.13  
Max. Intensity: 6952.9 cd  
S/MH(C0/C180): 1.29

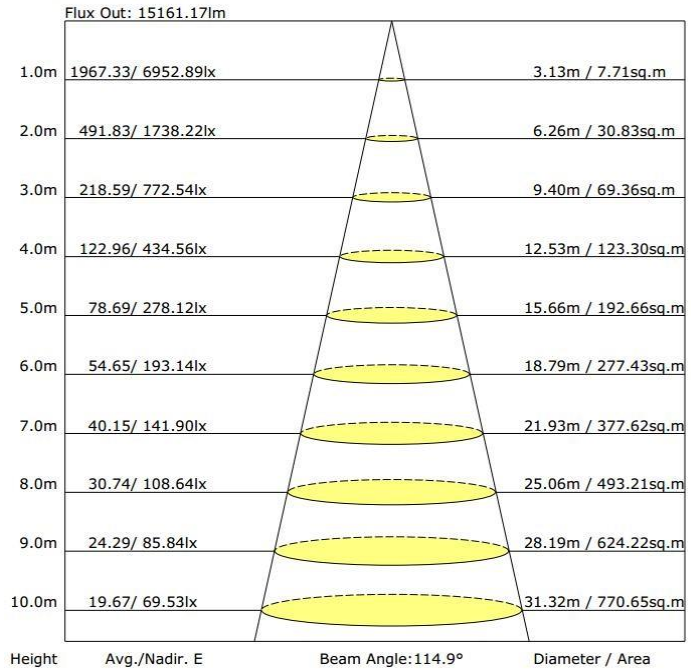
Total Rated Lamp Lumens: 19616.2 lm  
Efficiency: 100%  
Upward Ratio: 1%

Central Intensity: 6952.89 cd  
Pos of Max. Intensity: H0 V0  
S/MH(C90/C270): 1.29

Luminous Intensity Distribution Curve



The Average Illuminance Effective Figure



DATA OF LAMP		PHOTOMETRIC DATA			
MODEL		Imax (cd)	7552	S/MH (C0/180)	1.30
NOMINAL POWER (W)	150	LOR (%)	100.0	S/MH (C90/270)	1.26
RATED VOLTAGE (V)	120	TOTAL FLUX (lm)	21160	η UP, DN (C0-180)	0.0, 52.0
NOMINAL FLUX (lm)	21160.1	CIE CLASS	DIRECT	η UP, DN (C180-360)	0.0, 48.0
LAMPS INSIDE	1	η up (%)	0.0	CIBSE SHR NOM	1.25
TEST VOLTAGE (V)	120	η down (%)	100.0	CIBSE SHR MAX	1.35

Eff: 140.13 lm/W

## PACKAGE

	Size	Qty / Carton	Net Weight / Carton	Gross Weight / Carton
Outer box	360X360X195MM	1PC	3.7KG	4.7KG



## NOTICE FOR USER

- Please turn off power before install or change assembly parts.
- The input voltage and lamps should be matched, after connecting the power line, Please make sure the wiring section is insulated.
- No-professionals, must not install and disassemble the lamps.

## TROUBLE SHOOTINGS

Issue	Check points
Light Flickers	Check all wiring for disconnections, shorts and burnt wiring and connections. Confirm steady input voltage to the light fixture, fluctuating input voltage will harm the LED driver and can lead to premature failure. Lights with photocells can have photocell tag from ambient light or light reflecting back at the sensor. Simply cover the photocell completely and see if flickering continues while the photocell is covered. Call Tech Support for help if none of the above solves the issue.
Light does not work at all.	Check all wiring for disconnections, shorts and burnt wiring and connections. Confirm steady input voltage to the light fixture, fluctuating input voltage will harm the LED driver and can lead to premature failure. If input voltage is not in the voltage range of the fixture, you will need to find the source of your input voltage issue. Call Tech Support for help if none of the above solves the issue.

For more technical information, install questions, troubleshooting help or warranty claims, we have a dedicated US Tech and Customer Support Team to help solve any issues you have and can be reached by email or phone. If you need help with any of our products, we are here for you so that you are never in the dark!



**BETTER LIGHTS.  
BETTER SUPPORT.**

**DLC CERTIFIED** **UL LISTED**

**LEGENDARY RUGGEDGRADE QUALITY**  
LEGENDARY USA SUPPORT

**US based phone and online customer support**

**7 YEAR WARRANTY**