

150W NSF PRO II | LED FOOD SAFETY LIGHT



PRODUCT DESCRIPTION

THE NSF PRO II BRINGS YOU THE PINACLE IN FOOD SAFETY LIGHTING. IT LETS YOU LIGHT UP ANYTHING FROM SIMPLE FRUITS AND VEGETABLES ALL THE WAY UP TO PRIME CUT MEATS AND MORE. ITS PERFECT FOR SUPERMARKETS AND EVEN FOOD PROCESSING SPACES.

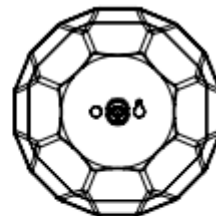


RGL-NSF-PRO2-150W

PRODUCT FEATURES & COMMON USE APPLICATIONS

- ✓ UL cUL
- ✓ Input voltage 120-277Vac
- ✓ No UV or IR in the beam
- ✓ Easy to install and operate
- ✓ Energy saving, long lifespan
- ✓ Instant start, NO flickering, NO humming
- ✓ Green and eco-friendly without mercury
- ✓ 5 Year Warranty.
- ✓ Food Processing Spaces
- ✓ Pharmaceutical Factory
- ✓ Farm
- ✓ Car wash
- ✓ Super Market

PRODUCT DIMENSIONS



| | |
|--------------------|---------------|
| | 80W-200W |
| Outlook Dimensions | Φ17.08"*7.56" |

LEGENDARY USA SUPPORT

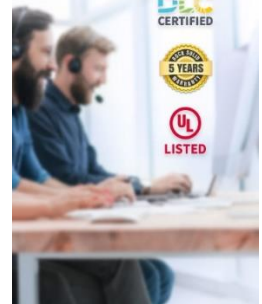


US based phone and online customer support

DLC CERTIFIED

5 YEARS WARRANTY

UL LISTED



Rugged Grade Lighting
Industrial Grade Solutions



888-953-2476
sales@ruggedgrade.com



PRODUCT TECHNICAL SPECIFICATIONS

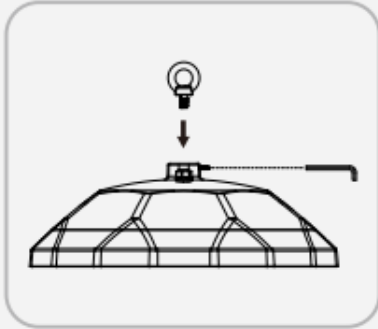
| | | |
|-------------------|--|------------------------|
| OPTICAL | Input Power (Tolerance: $\pm 10\%$) | 150W |
| | Color Temperature | 5000K |
| | Lumen (Tolerance: -10%) | 21600 LM |
| | Efficacy (Tolerance: -3%) | 145 LM/W |
| | CRI | >80 |
| | Distribution Pattern | NA |
| | Beam Angle (50%) (Tolerance: $\pm 15\%$) | 115° |
| | Input Voltage and Frequency | 120VAC, 50/60Hz |
| ELECTRICAL | PF (Tolerance: -3%) | ≥ 0.9 |
| | THD (Tolerance: +5%) | $\leq 20\%$ |
| | Flicker Percent | <5% |
| | Driver Brand | RG Driver |
| | Driver Model | NA |
| | Driver Surge protection | L/N-PE: 10kV, L-N:10kV |
| | Dimming | No |
| | Optional Accessory | None |
| MATERIALS | LED Brand | Lumileds |
| | LED Type | SMD2835 |
| | LED QTY | 288 PCS |
| | Housing | PC+aluminum |
| | Housing Color | White |
| | EPA | Call for more info |
| | Waterproof Rating | WET (IP66) |
| OTHERS | Operating Temperature | -40°C TO 45°C |
| | Storage Temperature | -40°C TO 80°C |
| | Operating Humidity | 20% - 70% RH |
| | Storage Humidity | 10% - 75% RH |
| Warranty | 5 years warranty with 24/7 operating hours Luminaire lifetime at 25°C. | |
| | | |

PRODUCT ACCESORIES

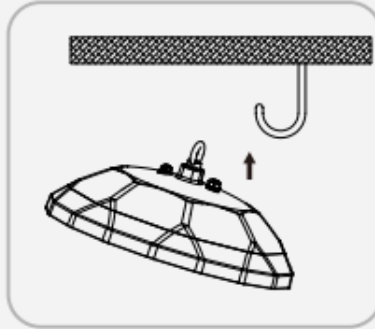


PRODUCT IMAGES & ACTUAL INSTALLATIONS

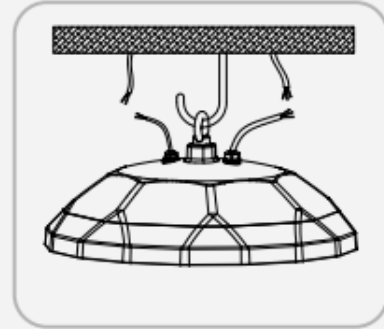
O hook installation



1. Fix the ring to the lamp (rotate clockwise), tighten the screw

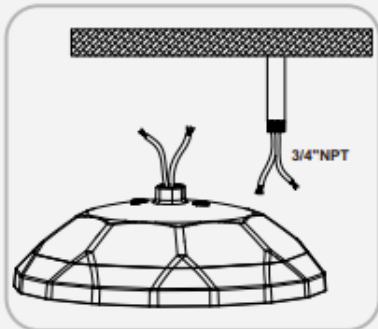


2. Put the ring into the mounting hook

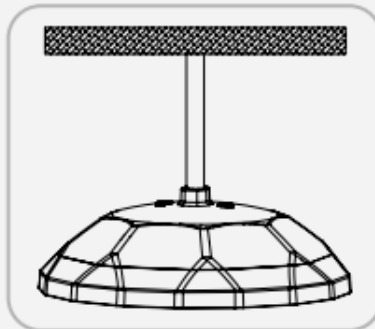


3. Wired as required under safety protection

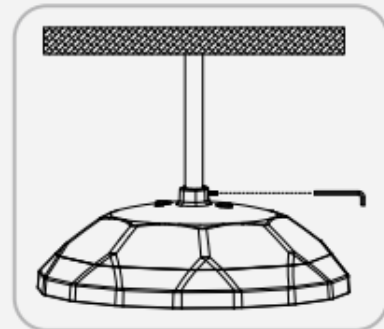
Pendant installation



1. Wired as required under safety protection



2. Rotate the lamp to the mounting pipe (rotate clockwise)



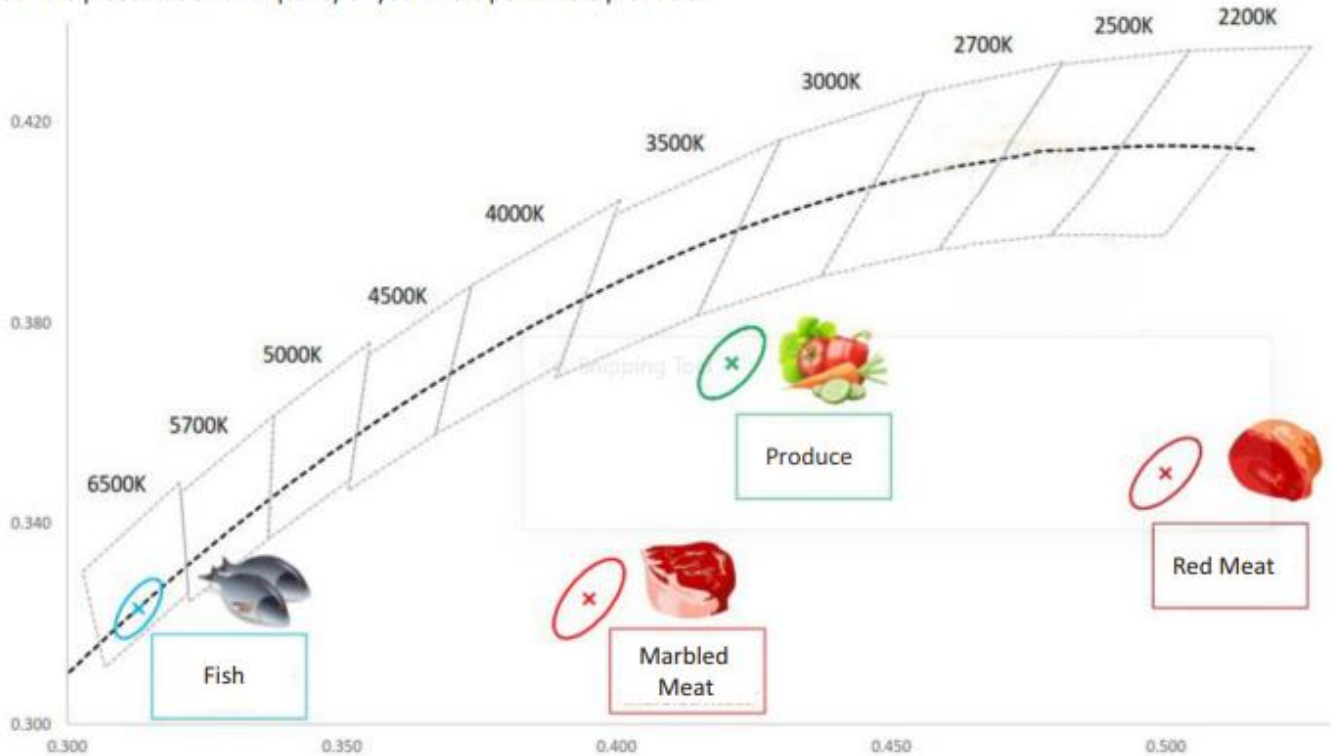
3. Tighten the screw



PHOTOMETRICS & DLC PRODUCT SPEC

Special application-LED Fresh Food Light

Depending on different foods, food color and other factors, the different color schemes will be provided upon different application. Fresh food LED lighting recipes can help make the difference in your fresh food departments by improving both the presentation and quality of your most perishable products.



LEGENDARY USA SUPPORT





Package Info.

| Model | Carton Dimension | voltage | Qty / Carton | N.W | G.W | 20GP | 40HQ |
|---------------|-------------------|-------------------|--------------|-------------|-------------|--------|---------|
| 80W/100W/150W | 18.7"*18.7"*8.07" | All voltage | 1pcs | 12.3±0.5lbs | 16.3±0.5lbs | 520pcs | 1320pcs |
| 200W | | Except AC277-480V | 1pcs | 15.0±0.5lbs | 19.0±0.5lbs | 520pcs | 1320pcs |
| 200W | | AC277-480V | 1pcs | 16.5±0.5lbs | 20.5±0.5lbs | 520pcs | 1320pcs |



PRODUCT WARNINGS

- ⚡ Please turn off power before install or change assembly parts.
- ⚡ The input voltage and lamps should be matched, after connecting the power line.
- ⚡ Please make sure the wiring section is insulated.
- ⚡ Professionals must install and disassemble the lamps.
- ⚡ Surge is the number 1 cause of LED light failure. Outdoor lights must have surge at fixture, pole, and breaker.
- ⚡ Surge is the number 1 cause of LED light failure. Indoor lights must have surge at fixture and breaker.

PRODUCT TROUBLESHOOTING

| Issue | Check points |
|-----------------------------|---|
| Light Flickers | <p>Check all wiring for disconnections, shorts and burnt wiring and connections. Confirm steady input voltage to the light fixture, fluctuating input voltage will harm the LED driver and can lead to premature failure. Lights with photocells can have photocell tag from ambient light or light reflecting at the sensor. Simply cover the photocell completely and see if flickering continues while the photocell is covered. Call Tech Support for help if none of the above solves the issue.</p> |
| Light does not work at all. | <p>Check all wiring for disconnections, shorts and burnt wiring and connections. Confirm steady input voltage to the light fixture, fluctuating input voltage will harm the LED driver and can lead to premature failure. If input voltage is not in the voltage range of the fixture, you will need to find the source of your input voltage issue. Call Tech Support for help if none of the above solves the issue.</p> |

For more technical information, install questions, troubleshooting help or warranty claims, we have a dedicated US Tech and Customer Support Team to help solve any issues you have and can be reached by email or phone. If you need help with any of our products, we are here for you so that you are never in the dark!

BETTER LIGHTS. BETTER SUPPORT.

