

PRODUCT DESCRIPTION

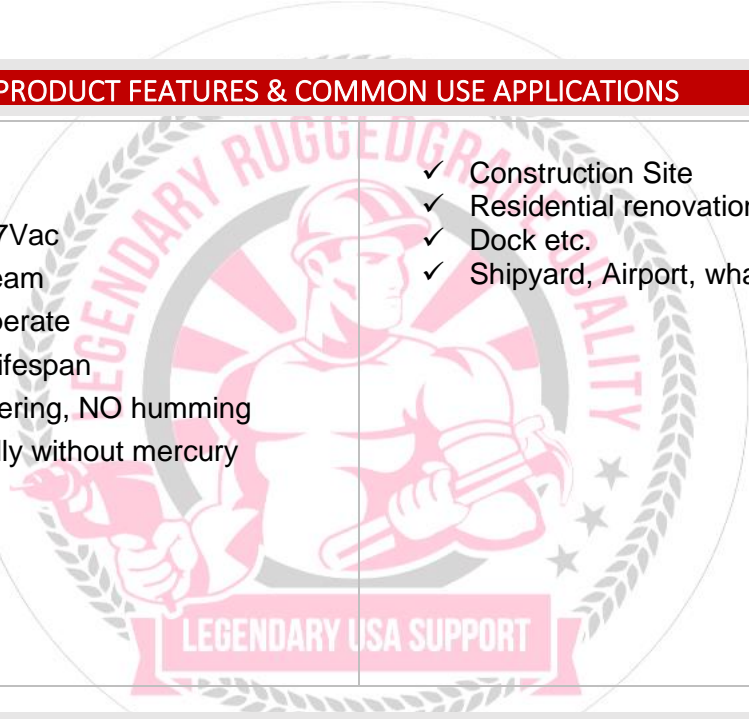
THE DORVAN SERIES IS THE BEST IN WORK LIGHTING WITH ITS ALL-NEW ADJUSTABLE ARM IT ALLOWS YOU TO LIGHT UP YOUR WORKSPACE PERFECTLY FOR YOU NEEDS!



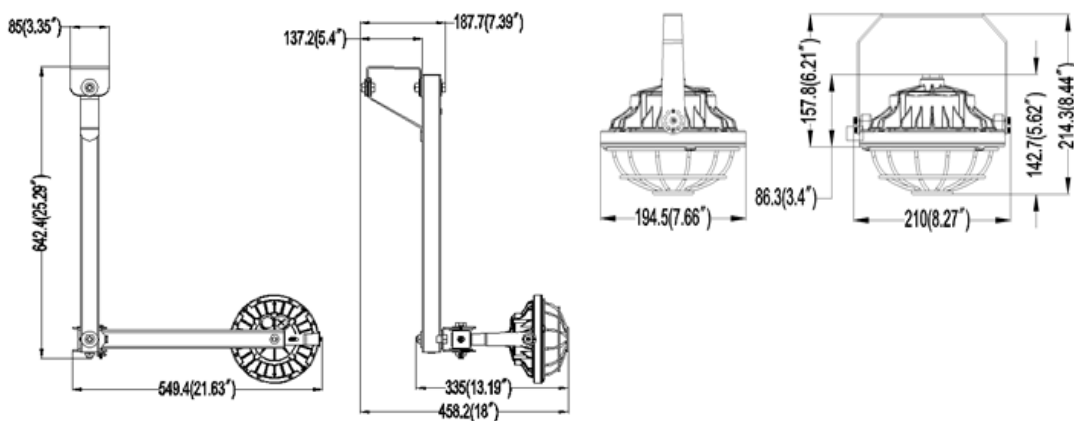
RGL-DORVAN-60W

PRODUCT FEATURES & COMMON USE APPLICATIONS

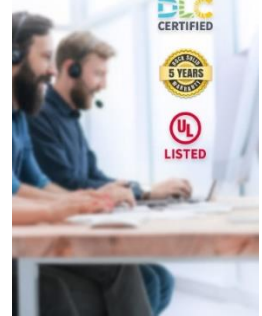
- ✓ UL cUL
- ✓ Input voltage 120-277Vac
- ✓ No UV or IR in the beam
- ✓ Easy to install and operate
- ✓ Energy saving, long lifespan
- ✓ Instant start, NO flickering, NO humming
- ✓ Green and eco-friendly without mercury
- ✓ Surge 4kv-6kv.
- ✓ Construction Site
- ✓ Residential renovations
- ✓ Dock etc.
- ✓ Shipyard, Airport, wharf



PRODUCT DIMENSIONS



LEGENDARY USA SUPPORT





PRODUCT TECHNICAL SPECIFICATIONS

OPTICAL	Input Power (Tolerance: ±10%)	60W 3000K/4000K/5000K (CCT adjustable)		
	Color Temperature	3000K	4000K	5000K
	Lumen (Tolerance: -10%)	7200 LM	7500 LM	7800 LM
	Efficacy (Tolerance: -3%)	130 LM/W		
	CRI	>80		
	Distribution Pattern	NA		
	Beam Angle (50%) (Tolerance: ±15%)	15° /80° /110°		
	Input Voltage and Frequency	120VAC, 50/60Hz		
	PF (Tolerance: -3%)	≥0.9		
ELECTRICAL	THD (Tolerance: +5%)	≤20%		
	Flicker Percent	<5%		
	Driver Brand	RG Driver		
	Driver Model	NA		
	Driver Surge protection	L/N-PE: 4kV, L-N:4kV		
	Dimming	No		
	Optional Accessory	None		
	LED Brand	Lumileds		
MATERIALS	LED Type	SMD2835		
	LED QTY	162 PCS		
	Housing	aluminum		
	Housing Color	Special Orange		
	EPA	Call for more info		
	Waterproof Rating	WET (IP65)		
	Operating Temperature	-40°C TO 45°C		
OTHERS	Storage Temperature	-40°C TO 80°C		
	Operating Humidity	10% - 90% RH		
	Storage Humidity	10% - 75% RH		
	Warranty	5 years warranty with 24/7 operating hours Luminaire lifetime at 25°C.		

PRODUCT ACCESORIES



PRODUCT IMAGES & ACTUAL INSTALLATIONS



PHOTOMETRICS & DLC PRODUCT SPEC

Luminaire Property

Luminaire Manufacturer:
Voltage: 120.6 V
Power: 60.98 W

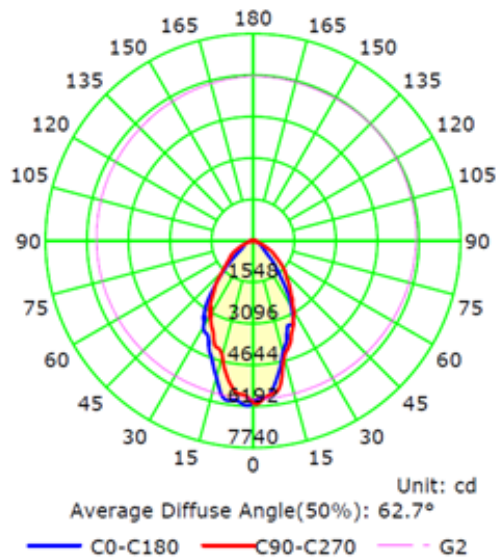
Current: 0.509 A
Power Factor: 0.993

Photometric Results

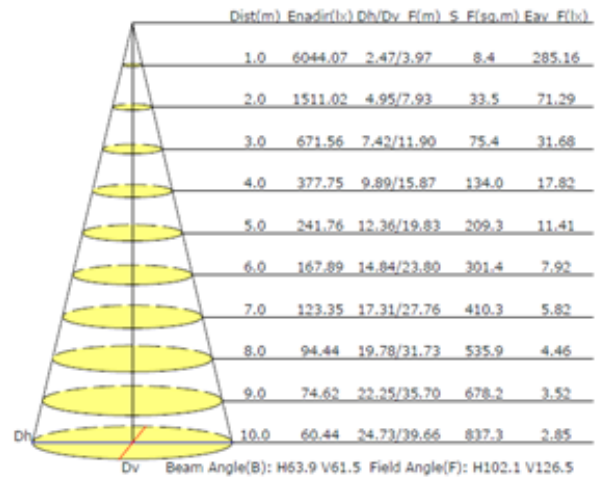
IES Classification: Type I
Total Rated Lamp Lumens: 7945.0 lm
Efficiency: 100%
Upward Ratio: 3%
Central Intensity: 6044.07 cd
Pos of Max. Intensity: H135 V2

Longitudinal Classification: Very Short
Measurement Flux: 7945 lm
Downward Ratio: 97%
Luminaire Efficacy Rating (LER): 130.34
Max. Intensity: 6192.42 cd

Luminous Intensity Distribution Curve



Illuminance at a Distance(Field Angle)



60W DORVAN | LED DOCK LIGHT



Lamps Net Weight		2.3KG
Outer box	size	520*415*270MM
	Qty/ Carton	4 PCS
	Weight/Carton	12.2KG



PRODUCT WARNINGS

- ⚡ Please turn off power before install or change assembly parts.
- ⚡ The input voltage and lamps should be matched, after connecting the power line.
- ⚡ Please make sure the wiring section is insulated.
- ⚡ Professionals must install and disassemble the lamps.
- ⚡ Surge is the number 1 cause of LED light failure. Outdoor lights must have surge at fixture, pole, and breaker.
- ⚡ Surge is the number 1 cause of LED light failure. Indoor lights must have surge at fixture and breaker.

PRODUCT TROUBLESHOOTING

Issue	Check points
Light Flickers	Check all wiring for disconnections, shorts and burnt wiring and connections. Confirm steady input voltage to the light fixture, fluctuating input voltage will harm the LED driver and can lead to premature failure. Lights with photocells can have photocell tag from ambient light or light reflecting at the sensor. Simply cover the photocell completely and see if flickering continues while the photocell is covered. Call Tech Support for help if none of the above solves the issue.
Light does not work at all.	Check all wiring for disconnections, shorts and burnt wiring and connections. Confirm steady input voltage to the light fixture, fluctuating input voltage will harm the LED driver and can lead to premature failure. If input voltage is not in the voltage range of the fixture, you will need to find the source of your input voltage issue. Call Tech Support for help if none of the above solves the issue.

For more technical information, install questions, troubleshooting help or warranty claims, we have a dedicated US Tech and Customer Support Team to help solve any issues you have and can be reached by email or phone. If you need help with any of our products, we are here for you so that you are never in the dark!



**BETTER LIGHTS.
BETTER SUPPORT.**



CERTIFIED



LISTED





US based
phone and online
customer support



**5 YEARS
WARRANTY**