



PRODUCT DESCRIPTION

Arcana II adds a wattage selectable feature, top level DLC 5.1 Premium certification, with an Ultra-Efficient 145+ lumens per watt and Dark Sky Compliance, and a new clean design with a base that is 180 degrees rotatable



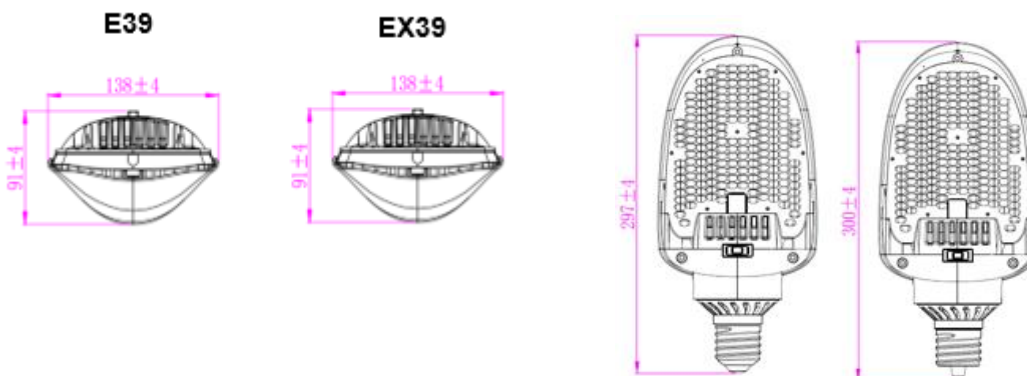
DLC #:

RGL-ARCANA2-115W

PRODUCT FEATURES & COMMON USE APPLICATIONS

- UL cUL certificate
- E39 EX39 lamp base.
- Big heat sink, With fan
- Internal driver, input voltage AC120-277V
- 0-10V dimming .
- Wattage adjustable options are available, segmented wattage adjustable
- Meet 4KV surge immunity level
- Long lifespan and good heat dissipation
- 90*150 degree or 150 degree are optional
- Direct replacement for Metal Halide, easy installation
- Fits many different fixtures to replace traditional lamps
- Operating ambient temperature can up to 50 degree
- Rotatable to make sure the luminous direction of led area lamp is consistent with the outside fixture
- Please turn off power before install or change assembly parts
- The input voltage and lamps should be matched, after connecting the power line, Please make sure the wiring section is insulated
- No-professionals, must not install and disassemble the lamps
- Suitable for damp locations. Do not use with dimmers
- Make sure to remove or bypass the ballast in the fixtures before install the lamps
- Suitable for use in enclosed luminaires, min. lamp compartment dimensions: 440*260*260MM

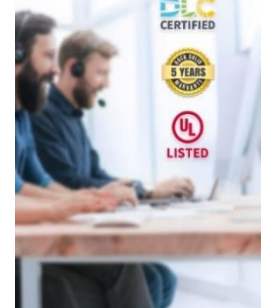
PRODUCT DIMENSIONS



LEGENDARY USA SUPPORT



US based phone and online customer support





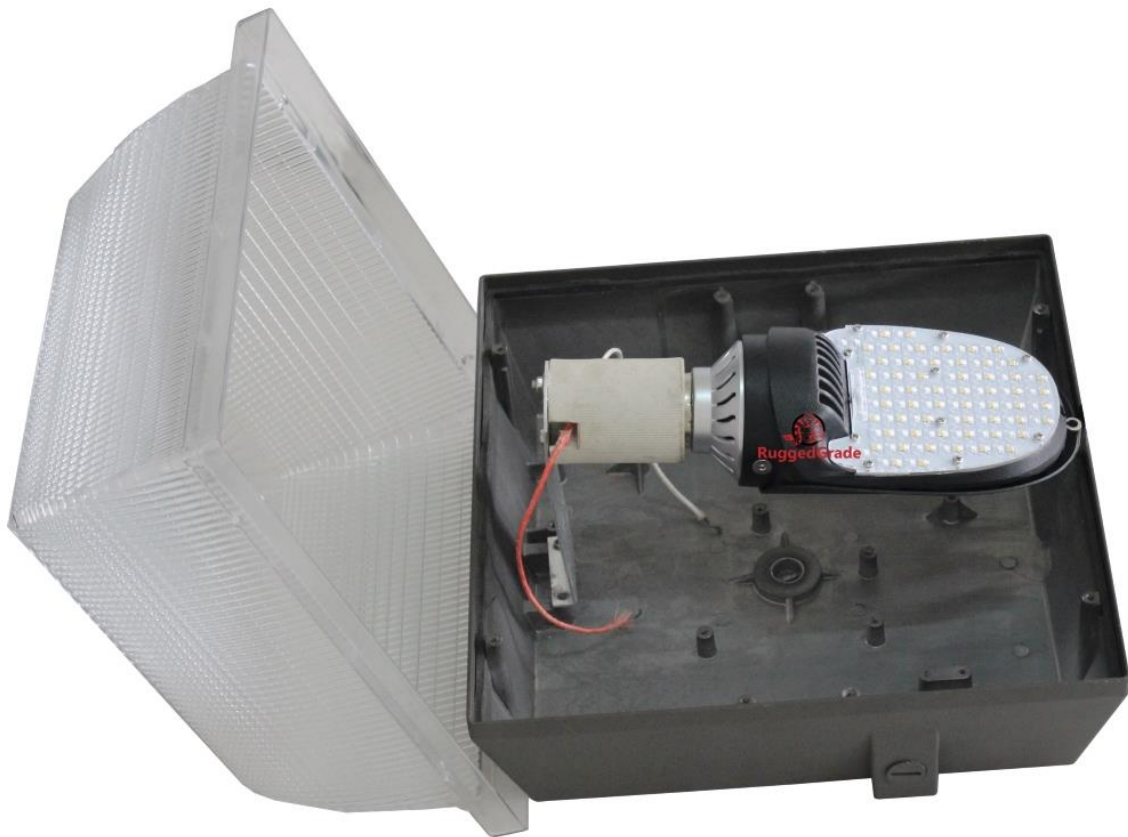
PRODUCT TECHNICAL SPECIFICATIONS

OPTICAL	Input Power (Tolerance : ±10%)	115W(75W95W/115W via switch)			
	Color Temperature	3000K	4000K	5000K	6500K
	Lumen (Tolerance : -10%)	12800LM	13000LM	13200LM	13500LM
	Efficacy (Tolerance : -3%)	131LM/W	131LM/W	131LM/W	131LM/W
	CRI	70~79			
	Color Consistency	<6 Steps (or <6 SDCM)			
	BUG	B2-U2-G2			
	Diffuser Type	TYPE III			
	Beam Angle (50%) (Tolerance :	130Degree			
ELECTRICAL	Input Voltage and Frequency	120-277VAC, 50/60Hz			
	PF (Tolerance : -3%)	≥0.9			
	THD (Tolerance : +5%)	≤20%			
	Flicker Percent	<100%			
	Driver Brand	Rugged Grade Lighting			
	Driver Model	Rugged Grade Lighting Driver			
	Driver Surge protection	L-N: 4kV , L&N-E: 4kV			
	Dimming	0-10V dimming standard			
	Optional Accessory	None			
MATERIALS	LED Brand	Bridgelux			
	LED Type	SMD3030			
	LED QTY	196PCS			
	Housing	PC+ aluminum			
	Housing Color	All Color			
	Waterproof Rating	DAMP (IP64)			
OTHERS	Operating Temperature	-40°C TO 50°C			
	Storage Temperature	-40°C TO 80°C			
	Operating Humidity	20% - 70% RH			
	Storage Humidity	10% - 75% RH			
	Warranty	5 years warranty with 24/7 operating hours Luminaire lifetime			

PRODUCT MOUNTS & ACCESSORIES



PRODUCT IMAGES & ACTUAL INSTALLATIONS



PHOTOMETRICS & DLC PRODUCT SPEC

Remark: The testing data comes directly from the product test. < 90*150 degree >

Luminaire Property

Luminaire Manufacturer:
Voltage: 120.2 V
Power: 116.59 W

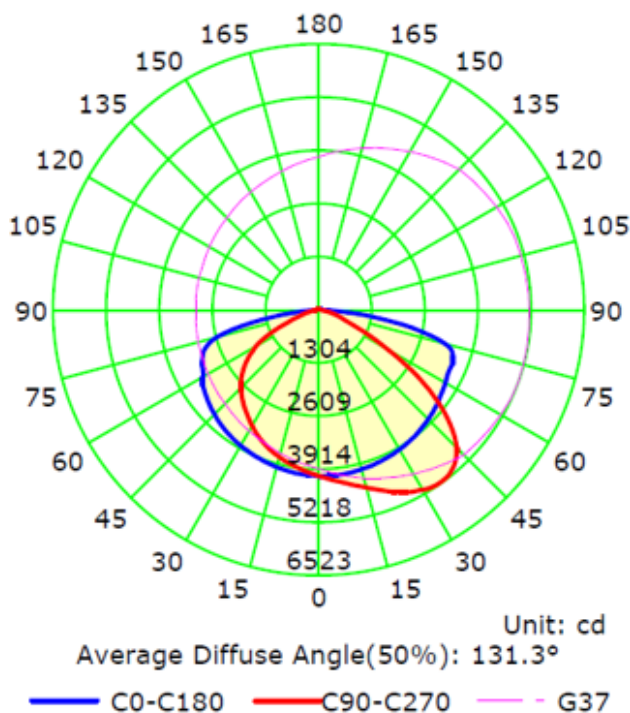
Current: 0.985 A
Power Factor: 0.985

Photometric Results

IES Classification: Type III
Total Rated Lamp Lumens: 16407.0 lm
Efficiency: 100%
Upward Ratio: 1%
Central Intensity: 4083.23 cd
Pos of Max. Intensity: H67.5 V37

Longitudinal Classification: Very Short
Measurement Flux: 16407 lm
Downward Ratio: 99%
Luminaire Efficacy Rating (LER): 140.77
Max. Intensity: 5218.7 cd

Luminous Intensity Distribution Curve



The Average Illuminance Effective Figure

Flux Out: 15810.51lm

Height	Avg./Nadir. E	Beam Angle: 157.7°	Diameter / Area
2.0m	48.84/ 1020.81lx		20.30m / 323.70sq.m
3.0m	21.71/ 453.69lx		30.45m / 728.32sq.m
4.0m	12.21/ 255.20lx		40.60m / 1294.79sq.m
5.0m	7.81/ 163.33lx		50.75m / 2023.10sq.m
6.0m	5.43/ 113.42lx		60.90m / 2913.27sq.m
7.0m	3.99/ 83.33lx		71.05m / 3965.28sq.m
8.0m	3.05/ 63.80lx		81.21m / 5179.14sq.m
9.0m	2.41/ 50.41lx		91.36m / 6554.85sq.m
10.0m	1.95/ 40.83lx		101.51m / 8092.41sq.m
11.0m	1.61/ 33.75lx		111.66m / 9791.82sq.m



Product ID: S-DUQPGO



RGL-ARCANA2-115WB3A1-A50k

Manufacturer: RuggedGrade
Brand: RuggedGrade

PRODUCT OVERVIEW

Classification Standard

Primary Use Replacement Lamps for Outdoor Pole/Arm-mounted Area and Roadway Luminaires (Type B)

Reported Input Wattage 119.6 W

Reported Light Output 13182 lm

Reported CCT 5000 K

Reported CRI (Ra) 83

Product ID S-DUQPGO

DLC Family Code [SLFAJW](#)

Listing Status Listed

Date Qualified 2023-03-14

PRODUCT INFORMATION

Qualified Product List Solid State Lighting

Technical Requirements Version 5.1

Product ID S-DUQPGO

Manufacturer RuggedGrade

Brand RuggedGrade

Model Number RGL-ARCANA2-115WB3A1-A50k

Parent No

Classification Standard

PRODUCT CATEGORIZATION

[VIEW DETAILS](#)

PRODUCT CAPABILITIES

[VIEW DETAILS](#)

REPORTED PHOTOMETRIC PERFORMANCE

Reported Light Output 13182 lm

Reported Efficacy (AC) 110.26 lm/W

Reported CCT 5000 K

Reported CRI (Ra) 83

Reported R9 9

Reported IES Rf 84

Reported IES Rg 96

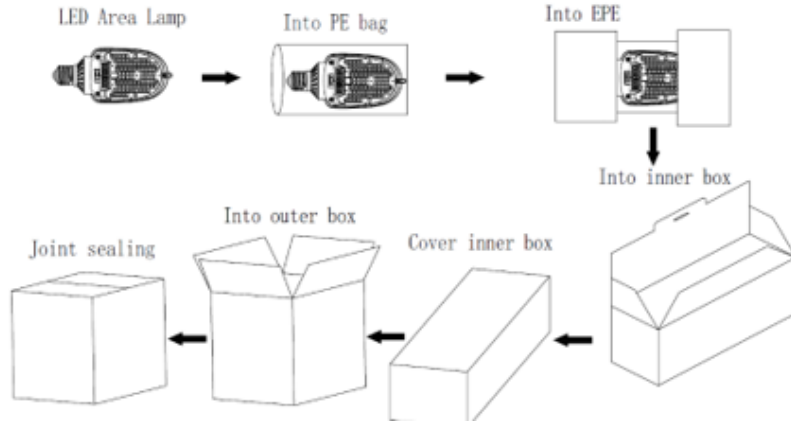
Reported IES Rcs,h1 -11



PRODUCT PACKAGING

	Size	Qty / Carton	Net Weight / Carton	Gross Weight / Carton
Inner box	340*160*110 MM	1PCS	1.26KG	1.45KG
Outer box	660*360*245 MM	8PCS	10.1KG	12.6 KG

Tolerance of Outer Carton Size: ±15 MM, Tolerance of Weight: ±10%.



PRODUCT WARNINGS

- ⚡ Please turn off power before install or change assembly parts.
- ⚡ The input voltage and lamps should be matched, after connecting the power line.
- ⚡ Please make sure the wiring section is insulated.
- ⚡ Professionals must install and disassemble the lamps.
- ⚡ Surge is the number 1 cause of LED light failure. Outdoor lights must have surge at fixture, pole, and breaker.
- ⚡ Surge is the number 1 cause of LED light failure. Indoor lights must have surge at fixture and breaker.

PRODUCT TROUBLESHOOTING

Issue	Check points
Light Flickers	Check all wiring for disconnections, shorts and burnt wiring and connections. Confirm steady input voltage to the light fixture, fluctuating input voltage will harm the LED driver and can lead to premature failure. Lights with photocells can have photocell tag from ambient light or light reflecting at the sensor. Simply cover the photocell completely and see if flickering continues while the photocell is covered. Call Tech Support for help if none of the above solves the issue.
Light does not work at all.	Check all wiring for disconnections, shorts and burnt wiring and connections. Confirm steady input voltage to the light fixture, fluctuating input voltage will harm the LED driver and can lead to premature failure. If input voltage is not in the voltage range of the fixture, you will need to find the source of your input voltage issue. Call Tech Support for help if none of the above solves the issue.

For more technical information, install questions, troubleshooting help or warranty claims, we have a dedicated US Tech and Customer Support Team to help solve any issues you have and can be reached by email or phone. If you need help with any of our products, we are here for you so that you are never in the dark!

**BETTER LIGHTS.
BETTER SUPPORT.**

