

PRODUCT DESCRIPTION

Arcana II adds a wattage selectable feature, top level DLC 5.1 Premium certification, with an Ultra-Efficient 145+ lumens per watt and Dark Sky Compliance, and a new clean design with a base that is 180 degrees rotatable



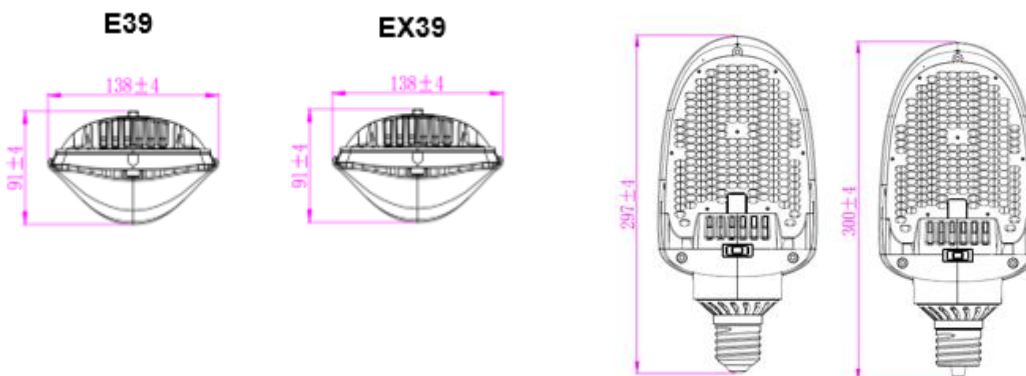
DLC #:

RGL-ARCANA2-75W

PRODUCT FEATURES & COMMON USE APPLICATIONS

- UL cUL certificate
- E39 EX39 lamp base.
- Big heat sink, With fan
- Internal driver, input voltage AC120-277V
- 0-10V dimming .
- Wattage adjustable options are available, segmented wattage adjustable
- Meet 4KV surge immunity level
- Long lifespan and good heat dissipation
- 90*150 degree or 150 degree are optional
- Direct replacement for Metal Halide, easy installation
- Fits many different fixtures to replace traditional lamps
- Operating ambient temperature can up to 50 degree
- Rotatable to make sure the luminous direction of led area lamp is consistent with the outside fixture
- Please turn off power before install or change assembly parts
- The input voltage and lamps should be matched, after connecting the power line, Please make sure the wiring section is insulated
- No-professionals, must not install and disassemble the lamps
- Suitable for damp locations. Do not use with dimmers
- Make sure to remove or bypass the ballast in the fixtures before install the lamps
- Suitable for use in enclosed luminaires, min. lamp compartment dimensions: 440*260*260MM

PRODUCT DIMENSIONS



LEGENDARY USA SUPPORT



US based phone and online customer support



5 YEARS WARRANTY



UL LISTED





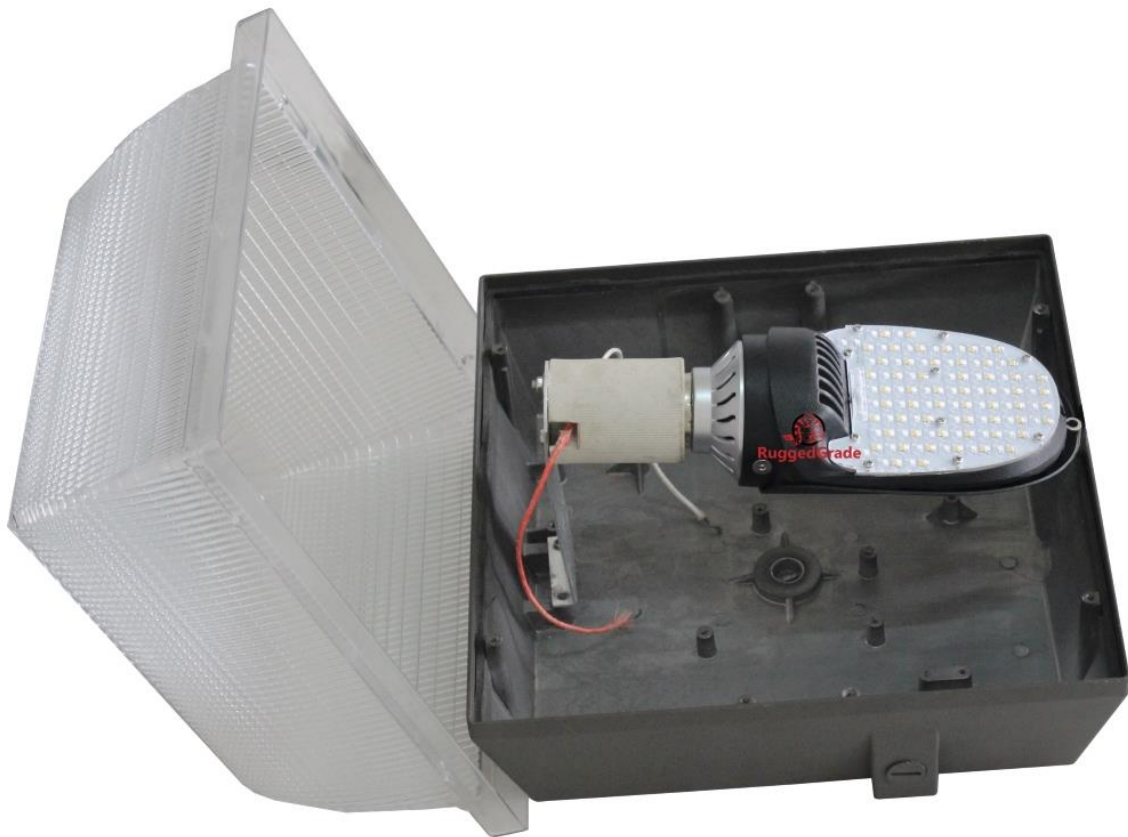
PRODUCT TECHNICAL SPECIFICATIONS

OPTICAL	Input Power (Tolerance : ±10%)	75W			
	Color Temperature	3000K	4000K	5000K	6500K
	Lumen (Tolerance : -10%)	8400LM	8800LM	8600LM	8700LM
	Efficacy (Tolerance : -3%)	112LM/W	117LM/W	115LM/W	116LM/W
	CRI	70~79			
	Color Consistency	<6 Steps (or <6 SDCM)			
	BUG	B2-U2-G2			
	Diffuser Type	TYPE III			
	Beam Angle (50%) (Tolerance :	115Degree			
ELECTRICAL	Input Voltage and Frequency	120-277VAC, 50/60Hz			
	PF (Tolerance : -3%)	≥0.9			
	THD (Tolerance : +5%)	≤20%			
	Flicker Percent	<100%			
	Driver Brand	Rugged Grade Lighting			
	Driver Model	Rugged Grade Lighting Driver			
	Driver Surge protection	L-N: 4kV , L&N-E: 4kV			
	Dimming	0-10V dimming standard			
	Optional Accessory	None			
MATERIALS	LED Brand	Bridgelux			
	LED Type	SMD3030			
	LED QTY	140PCS			
	Housing	PC+ aluminum			
	Housing Color	All Color			
	Waterproof Rating	DAMP (IP64)			
OTHERS	Operating Temperature	-40°C TO 50°C			
	Storage Temperature	-40°C TO 80°C			
	Operating Humidity	20% - 70% RH			
	Storage Humidity	10% - 75% RH			
	Warranty	5 years warranty with 24/7 operating hours Luminaire lifetime			

PRODUCT MOUNTS & ACCESSORIES



PRODUCT IMAGES & ACTUAL INSTALLATIONS





PHOTOMETRICS & DLC PRODUCT SPEC

Luminaire Property

Luminaire Manufacturer:
 Luminaire Category:
 Lamp Catalog:
 Number of Lamps:
 Luminous Length (mm):
 Luminous Height (mm):
 Current: 0.638 A
 Power Factor: 0.986

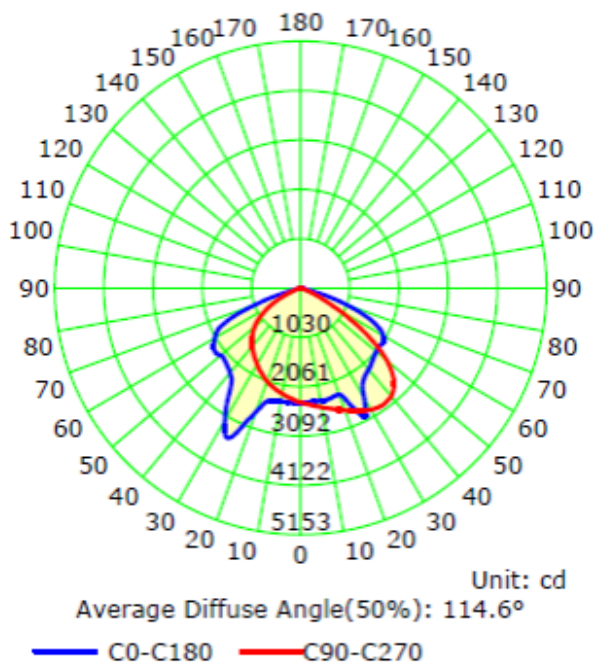
Luminaire Description:
 Lamp Description:
 Lumens per Lamp:
 Luminous Width (mm):
 Voltage: 120.0 V
 Power: 75.63 W

Photometric Results

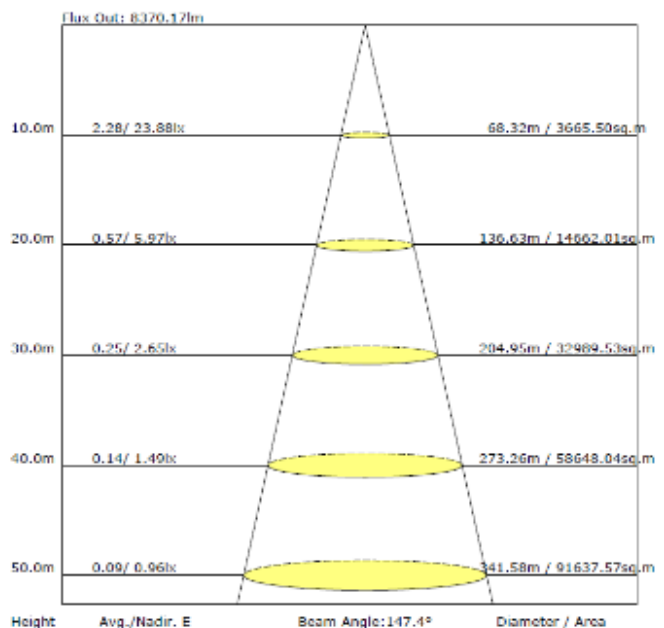
IES Classification: Type II
 Total Rated Lamp Lumens: 8429.5 lm
 Efficiency: 100%
 Upward Ratio: 0%
 C0r0 Intensity: 2387.95 cd
 Pos of Max. Intensity: H157.5 V29
 Beam Angle(C0/C180,C90/C270,C45/C225,C135/315): 129.7, 99.6, 110.5, 100.6

Longitudinal Classification: Very Short
 Measurement Flux: 8429.5 lm
 Downward Ratio: 100%
 Luminaire Efficacy Rating (LER): 111.51
 Max. Intensity: 4122.74 cd

Luminous Intensity Distribution Curve



The Average Illuminance Effective Figure



Product ID: S-9K06D2

X



RGL-ARCANA2-75WB3A1-a50K

Manufacturer: RuggedGrade
Brand: RuggedGrade

PRODUCT OVERVIEW

Classification	Standard
Primary Use	Replacement Lamps for Outdoor Pole/Arm-Mounted Area and Roadway Luminaires (Type B)
Reported Input Wattage	77.3 W
Reported Light Output	8909 lm
Reported CCT	5000 K
Reported CRI (Ra)	83
Product ID	S-9K06D2
DLC Family Code	SLFA/W
Listing Status	Listed
Date Qualified	2023-03-14

PRODUCT INFORMATION

Qualified Product List	Solid State Lighting
Technical Requirements Version	5.1
Product ID	S-9K06D2
Manufacturer	RuggedGrade
Brand	RuggedGrade
Model Number	RGL-ARCANA2-75WB3A1-a50K
Parent	No
Classification	Standard

PRODUCT CATEGORIZATION

[VIEW DETAILS](#)

CONTROL FEATURES

[VIEW DETAILS](#)

REPORTED PHOTOMETRIC PERFORMANCE

Reported Light Output	8909 lm
Reported Efficacy (AC)	115.28 lm/W
Reported CCT	5000 K
Reported CRI (Ra)	83
Reported R9	10
Reported IES Rf	85
Reported IES Rg	96
Reported IES Rcs,h1	-11

REPORTED ELECTRICAL PERFORMANCE

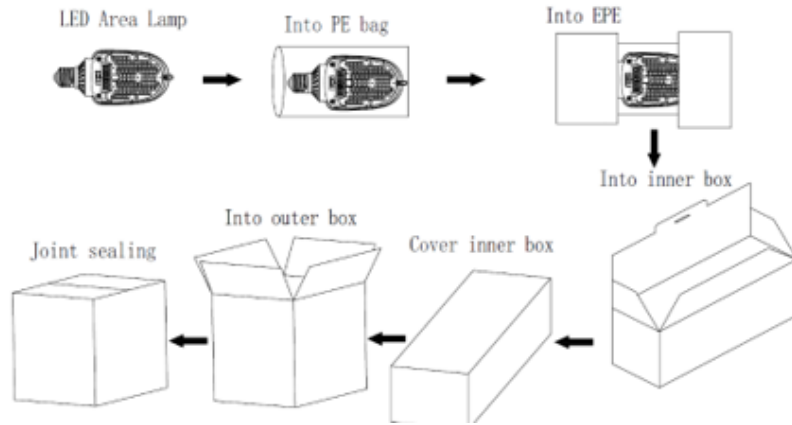
Reported Input Wattage	77.3 W
Reported Total Harmonic Distortion	15 %
Reported Power Factor	0.9
Reported Minimum Input Wattage	54 W
Reported Default Input Wattage	77.3 W
Voltage Range	120-277 V



PRODUCT PACKAGING

	Size	Qty / Carton	Net Weight / Carton	Gross Weight / Carton
Inner box	340*160*110 MM	1PCS	1.26KG	1.45KG
Outer box	660*360*245 MM	8PCS	10.1KG	12.6 KG

Tolerance of Outer Carton Size: ±15 MM, Tolerance of Weight: ±10%.



PRODUCT WARNINGS

- ⚡ Please turn off power before install or change assembly parts.
- ⚡ The input voltage and lamps should be matched, after connecting the power line.
- ⚡ Please make sure the wiring section is insulated.
- ⚡ Professionals must install and disassemble the lamps.
- ⚡ Surge is the number 1 cause of LED light failure. Outdoor lights must have surge at fixture, pole, and breaker.
- ⚡ Surge is the number 1 cause of LED light failure. Indoor lights must have surge at fixture and breaker.

PRODUCT TROUBLESHOOTING

Issue	Check points
Light Flickers	Check all wiring for disconnections, shorts and burnt wiring and connections. Confirm steady input voltage to the light fixture, fluctuating input voltage will harm the LED driver and can lead to premature failure. Lights with photocells can have photocell tag from ambient light or light reflecting at the sensor. Simply cover the photocell completely and see if flickering continues while the photocell is covered. Call Tech Support for help if none of the above solves the issue.
Light does not work at all.	Check all wiring for disconnections, shorts and burnt wiring and connections. Confirm steady input voltage to the light fixture, fluctuating input voltage will harm the LED driver and can lead to premature failure. If input voltage is not in the voltage range of the fixture, you will need to find the source of your input voltage issue. Call Tech Support for help if none of the above solves the issue.

For more technical information, install questions, troubleshooting help or warranty claims, we have a dedicated US Tech and Customer Support Team to help solve any issues you have and can be reached by email or phone. If you need help with any of our products, we are here for you so that you are never in the dark!

**BETTER LIGHTS.
BETTER SUPPORT.**

