

500W STADIUMPRO III | LED SPORT LIGHT



RuggedGrade

PRODUCT DESCRIPTION

THE STADIUM PRO SERIES EVOLVES WITH THE SERIES III! 7 YEAR WARRANTY! MORE EFFICIENT WITH HIGHER LUMENS, TOP-TIER SOSEN VP DRIVERS, AND A NEW SIMPLE SLIP-FIT MOUNT OPTION. THE STADIUM PRO III IS UL AND DLC 5.1 CERTIFIED - THE PINNACLE OF SPORT LIGHTING!

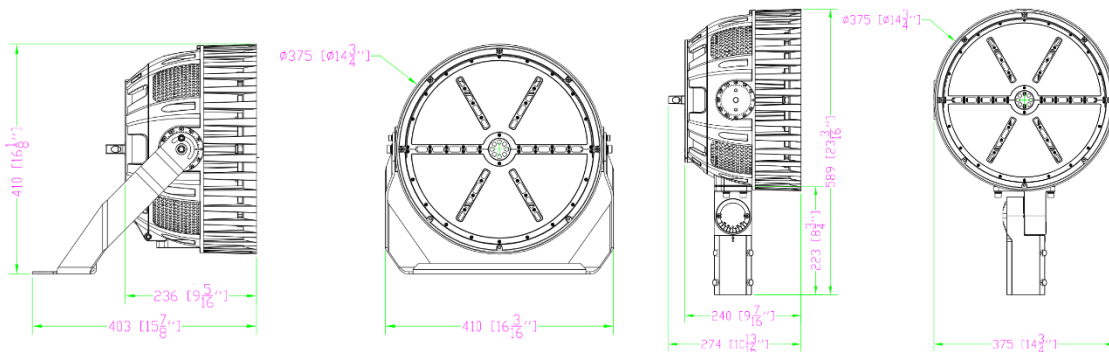


DLC #: RGL-STADIUMPRO-3-500W

PRODUCT FEATURES & COMMON USE APPLICATIONS

- ✓ UL cUL DLC-V5.1(Premium) certificate
- ✓ Input voltage 120-277Vac
- ✓ No UV or IR in the beam
- ✓ Easy to install and operate
- ✓ Energy saving, long lifespan
- ✓ Instant start, NO flickering, NO humming
- ✓ Green and eco-friendly without mercury
- ✓ Output constant current lever can be adjusted through output cable with 0-10V.
- ✓ Stadium Fields
- ✓ Gymnasium
- ✓ Square plaza
- ✓ Shipyard, Airport, wharf
- ✓ High mast and Contour lighting, etc.

PRODUCT DIMENSIONS



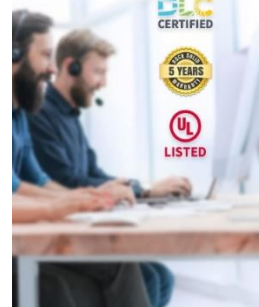
LEGENDARY USA SUPPORT



US based phone and online customer support

DLC CERTIFIED

5 YEARS WARRANTY



Rugged Grade Lighting
Industrial Grade Solutions



888-953-2476
sales@ruggedgrade.com

PRODUCT TECHNICAL SPECIFICATIONS

OPTICAL	Input Power (Tolerance: $\pm 10\%$)	500W			
	Color Temperature	4000K	4500K	5000K	5700K
	Lumen (Tolerance: -10%)	66500 LM	66500 LM	67000 LM	67000 LM
	Efficacy (Tolerance: -3%)	133 LM/W	133 LM/W	134 LM/W	134 LM/W
	CRI	>70			
	Color Consistency	< 6 Steps (or < 6 SDCM)			
	BUG	B5-U0-G3			
	Distribution Pattern	NEMA:4			
	Beam Angle (50%) (Tolerance: $\pm 15\%$)	30°			
ELECTRICAL	Input Voltage and Frequency	120-277VAC, 50/60Hz			
	PF (Tolerance: -3%)	≥ 0.9			
	THD (Tolerance: $+5\%$)	$\leq 20\%$			
	Flicker Percent	<5%			
	Driver Brand	SOSEN			
	Driver Model	SS-240M-56BH			
	Driver Surge protection	L/N-PE: 10kV, L-N:6kV			
	Dimming	0-10V dimming standard			
	Optional Accessory	Sensor Receptacle + Photosensor /Sensor Receptacle + Short Cap /Surge-protective Device			
MATERIALS	LED Brand	Bridgelux			
	LED Type	SMD3030			
	LED QTY	504 PCS			
	Housing	Die-cast aluminum			
	Housing Color	Black, White, Bronze, or Customized			
	EPA	1.6 ft ²			
	Waterproof Rating	WET (IP65)			
OTHERS	Operating Temperature	-40°C TO 45°C			
	Storage Temperature	-40°C TO 80°C			
	Operating Humidity	20% - 90% RH			
	Storage Humidity	10% - 95% RH			
	Warranty	5 years warranty with 24/7 operating hours Luminaire lifetime at 25°C.			

PRODUCT ACCESSORIES



Slip Fit Mount



Laser Point



Flood Mount



Visor



PRODUCT IMAGES & ACTUAL INSTALLATIONS



Slip Fit Mount and Flood Mount included



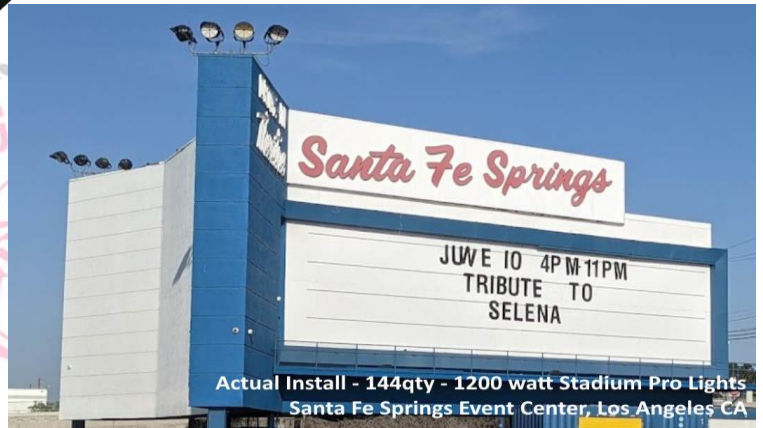
Slip Fit Mount



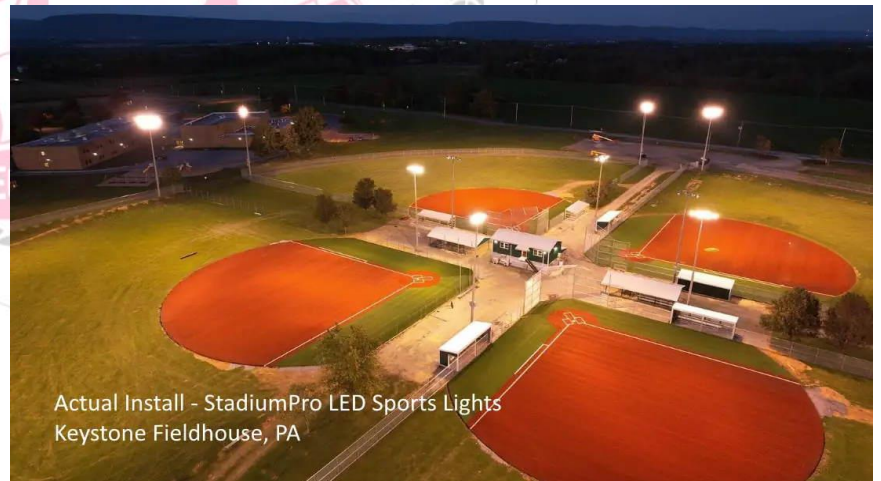
Flood Mount



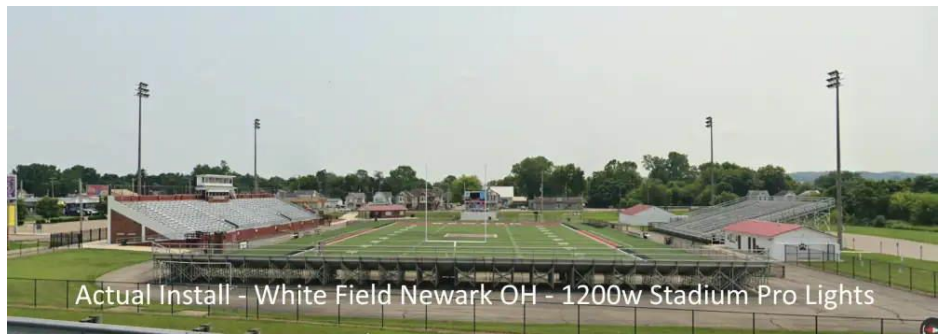
Actual Install - ECMX Motorsports Park MT



Actual Install - 144qty - 1200 watt Stadium Pro Lights
Santa Fe Springs Event Center, Los Angeles CA



Actual Install - StadiumPro LED Sports Lights
Keystone Fieldhouse, PA



Actual Install - White Field Newark OH - 1200w Stadium Pro Lights



PHOTOMETRICS & DLC PRODUCT SPEC

Luminaire Property

Luminaire Manufacturer:
 Luminaire Category:
 Lamp Catalog:
 Number of Lamps:
 Luminous Length (mm):
 Luminous Height (mm):
 Current: 4.240 A
 Power Factor: 0.998

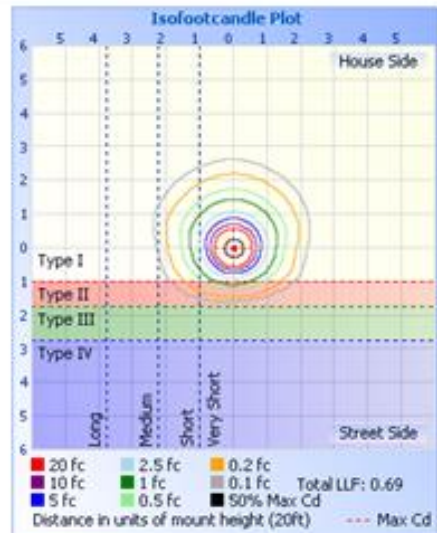
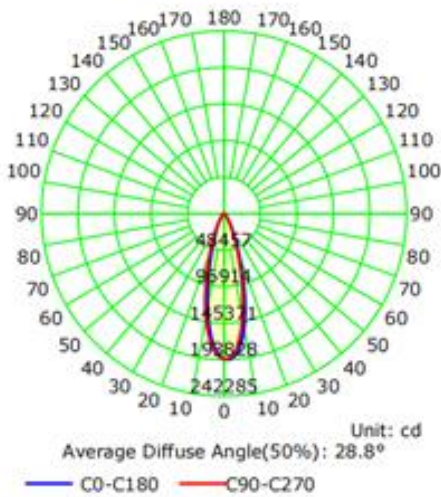
Luminaire Description:
 Lamp Description:
 Lumens per Lamp:
 Luminous Width (mm):
 Voltage: 120.0 V
 Power: 507.81 W

Photometric Results

IES Classification: Type I
 Total Rated Lamp Lumens: 67168.0 lm
 Efficiency: 100%
 Upward Ratio: 0%
 C0r0 Intensity: 192882.02 cd
 Pos of Max. Intensity: H0 V1

Longitudinal Classification: Very Short
 Measurement Flux: 67168 lm
 Downward Ratio: 100%
 Luminaire Efficacy Rating (LER): 132.32
 Max. Intensity: 193828.19 cd

Luminous Intensity Distribution Curve



Product ID: PLX3XQ245ELM



RGL-STADIUMPRO-3-500WS1PS2A1-ac[10SP;20SP;Blank][AM;FM]50

Manufacturer: RuggedGrade
Brand: RuggedGrade

PRODUCT OVERVIEW

Classification	Premium
Primary Use	Architectural Flood and Spot Luminaires
Reported Input Wattage	507.59 W
Reported Light Output	67455.2 lm
Reported CCT	5000 K
Reported CRI (Ra)	70
Product ID	PLX3XQ245ELM
DLC Family Code	EMWAEW
Listing Status	Listed
Date Qualified	2021-08-06

PRODUCT INFORMATION

Qualified Product List	Solid State Lighting
Technical Requirements Version	5.1
Product ID	PLX3XQ245ELM
Manufacturer	RuggedGrade
Brand	RuggedGrade
Model Number	RGL-STADIUMPRO-3-500WS1PS2A1-ac[10SP;20SP;Blank][AM;FM]50
Parent	No

PRODUCT CATEGORIZATION

[VIEW DETAILS](#)

PRODUCT CAPABILITIES

[VIEW DETAILS](#)

REPORTED PHOTOMETRIC PERFORMANCE

Reported Light Output	67455.2 lm
Reported Efficacy (AC)	132.89 lm/W
Reported CCT	5000 K
Reported CRI (Ra)	70
Reported R9	-37
Reported IES Rf	74
Reported IES Rg	95
Reported IES Rcs,h1	-18

REPORTED ELECTRICAL PERFORMANCE

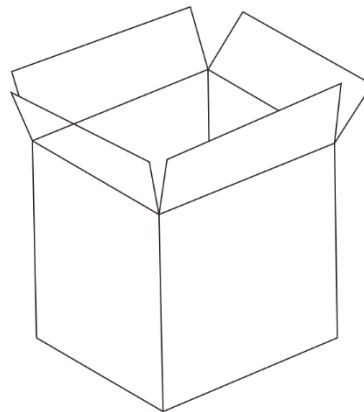
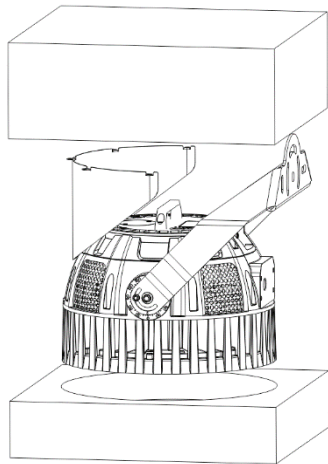
Reported Input Wattage	507.59 W
Reported Total Harmonic Distortion	15 %
Reported Power Factor	0.9
Reported Default Input Wattage	500 W
Voltage Range	120-277 V



PRODUCT PACKAGING

Bracket Type	Carton Size	Qty / Carton	Net Weight / Carton	Gross Weight / Carton
FM	505*490*485 MM	1 PC	14.82 KG	17.5 KG
AM	700*490*480 MM	1 PC	15.12 KG	18.1 KG

*Tolerance of Carton Size: ±15 MM, Tolerance of Weight: ±10%.



PRODUCT WARNINGS

- ⚠ Please turn off power before install or change assembly parts.
- ⚠ The input voltage and lamps should be matched, after connecting the power line.
- ⚠ Please make sure the wiring section is insulated.
- ⚠ Professionals must install and disassemble the lamps.
- ⚠ Surge is the number 1 cause of LED light failure. Outdoor lights must have surge at fixture, pole, and breaker.
- ⚠ Surge is the number 1 cause of LED light failure. Indoor lights must have surge at fixture and breaker.

PRODUCT TROUBLESHOOTING

Issue	Check points
Light Flickers	Check all wiring for disconnections, shorts and burnt wiring and connections. Confirm steady input voltage to the light fixture, fluctuating input voltage will harm the LED driver and can lead to premature failure. Lights with photocells can have photocell tag from ambient light or light reflecting at the sensor. Simply cover the photocell completely and see if flickering continues while the photocell is covered. Call Tech Support for help if none of the above solves the issue.
Light does not work at all.	Check all wiring for disconnections, shorts and burnt wiring and connections. Confirm steady input voltage to the light fixture, fluctuating input voltage will harm the LED driver and can lead to premature failure. If input voltage is not in the voltage range of the fixture, you will need to find the source of your input voltage issue. Call Tech Support for help if none of the above solves the issue.

For more technical information, install questions, troubleshooting help or warranty claims, we have a dedicated US Tech and Customer Support Team to help solve any issues you have and can be reached by email or phone. If you need help with any of our products, we are here for you so that you are never in the dark!

BETTER LIGHTS. BETTER SUPPORT.

