

PRODUCT DESCRIPTION

Ultimate Versatility in Lighting! The new Folari is now packed with Tunable Technology from RuggedGrade giving you control to choose Kelvin Color on this fixture! With a High Efficiency of up to 110 Lumen to Watt, this version now gives you Dusk to Dawn lighting capability and comes with a port for an optional motion sensor, so you decide your best lighting options!

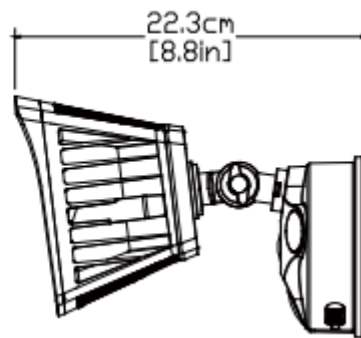
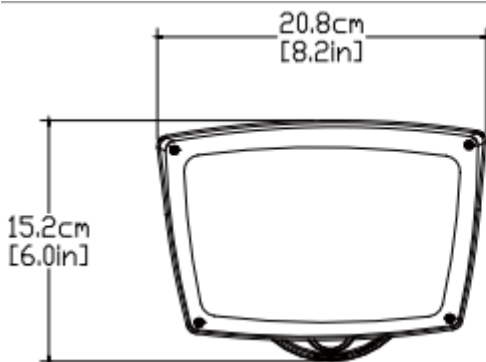


Part Number#: RGL-FOLARI-40WBH8DA1

PRODUCT FEATURES & COMMON USE APPLICATIONS

- ETL Certification.
- Bridgelux Chip, high CRI
- IP65 driver, input voltage 120-277VAC.
- Color Adjustable.
- Photocell(Dusk to Dawn Sensor)
- No UV or IR in the beam.
- Easy to install and operate.
- Energy saving, long lifespan.
- Light is soft and uniform, safe to eyes.
- Instant start, NO flickering, NO humming.
- Green and eco-friendly without mercury.
- Outdoor basketball court, tennis court.
- Front and Back Yards
- Badminton court, the football field.
- The school playground
- Community leisure entertainment plaza,
- Highway toll station ;
- Meeting room, exhibition hall ;
- Gymnasium and supermarkets, etc.

PRODUCT DIMENSIONS



LEGENDARY USA SUPPORT



US based phone and online customer support

DLC CERTIFIED

5 YEARS WARRANTY

UL LISTED



PRODUCT TECHNICAL SPECIFICATIONS

OPTICAL	Input Power (Tolerance : ±10%)	40W		
	Color Temperature (Color Tunable)	3000K	4000K	5000K
	Lumen(Tolerance: ±10%)	4000LM	4200LM	4400LM
	Efficacy(Tolerance : ±3%)	100LM/W	105 LM/W	110LM/W
	CRI	>80		
	Color Consistency	<7 Steps (or <7 SDCM)		
	Distribution Pattern	7H7V		
	Field Angle (10%) (Tolerance : ±15%)	120 Degree		
ELECTRICAL	Input Voltage and Frequency	120-277VAC, 50/60Hz		
	PF (Tolerance : -3%)	≥0.9		
	THD (Tolerance : +5%)	≤20%		
	Flicker Percent	<30%		
	Driver Brand	HBE		
	Driver Model	HB-FL19F080		
	Driver Surge protection	L/N-PE: 2.5kV, L-N: 2.5kV		
	Dimming	None		
	Sensor Type	No Sensor		
	Optional Accessory	Surge-protective Device, Photocell(Dusk to Dawn Sensor)		
MATERIALS	LED Brand	Lumileds		
	LED Type	SMD2835		
	LED QTY	80 PCS		
	Housing	Die-cast aluminum		
	Housing Color	Brown, Black, or Customized		
	EPA	0.56 ft²		
	Waterproof Rating	WET (IP65)		
OTHERS	Operating Temperature	-30°C TO 45°C;		
	Storage Temperature	-40°C TO 80°C		
	Operating Humidity	20% - 90% RH		
	Storage Humidity	20% - 95% RH		
	Warranty	5 years		

PRODUCT MOUNTS & ACCESSORIES

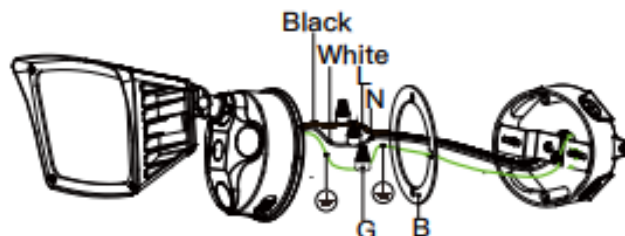


PRODUCT IMAGES & ACTUAL INSTALLATIONS

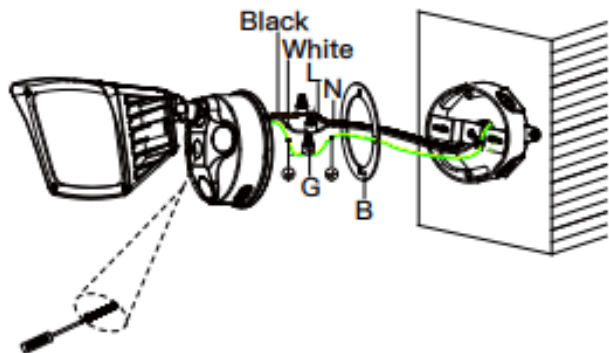
1. Install the bracket, align the bracket holes with the junction box holes, and lock the bracket with the junction box set screw.



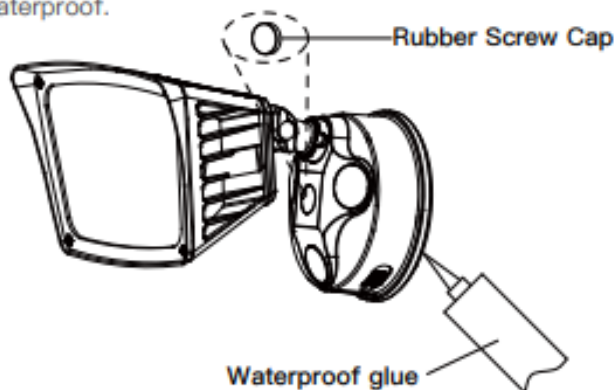
2. Connect the wires to the lamp body and connect the wires on the lamp body to the wires in the junction box via terminal (G). These wires must pass through the sponge pad (B).



3. Installed the light on the spongy cushion and bracket by tie bolt, gasket and rubber ring.



4. Cover the screw cap, use waterproof glue seal the rear cover and the light to make sure the lamp waterproof.



LEGENDARY USA SUPPORT



PRODUCT PACKAGING

Bracket Type	Carton Size	Qty / Carton	Net Weight / Carton	Gross Weight / Carton
AM, YM, FM	Outer box:530*300*390mm	4 PCS		
	Inner box:285*255*175mm	1 PC		

*Tolerance of Carton Size: ± 15 MM, Tolerance of Weight: $\pm 10\%$.



PRODUCT WARNINGS

- ⚠ Please turn off power before install or change assembly parts.
- ⚠ The input voltage and lamps should be matched, after connecting the power line.
- ⚠ Please make sure the wiring section is insulated.
- ⚠ Professionals must install and disassemble the lamps.
- ⚠ Surge is the number 1 cause of LED light failure. Outdoor lights must have surge at fixture, pole, and breaker.
- ⚠ Surge is the number 1 cause of LED light failure. Indoor lights must have surge at fixture and breaker.

PRODUCT TROUBLESHOOTING

Issue	Check points
Light Flickers	Check all wiring for disconnections, shorts and burnt wiring and connections. Confirm steady input voltage to the light fixture, fluctuating input voltage will harm the LED driver and can lead to premature failure. Lights with photocells can have photocell tag from ambient light or light reflecting at the sensor. Simply cover the photocell completely and see if flickering continues while the photocell is covered. Call Tech Support for help if none of the above solves the issue.
Light does not work at all.	Check all wiring for disconnections, shorts and burnt wiring and connections. Confirm steady input voltage to the light fixture, fluctuating input voltage will harm the LED driver and can lead to premature failure. If input voltage is not in the voltage range of the fixture, you will need to find the source of your input voltage issue. Call Tech Support for help if none of the above solves the issue.

For more technical information, install questions, troubleshooting help or warranty claims, we have a dedicated US Tech and Customer Support Team to help solve any issues you have and can be reached by email or phone. If you need help with any of our products, we are here for you so that you are never in the dark!

BETTER LIGHTS. BETTER SUPPORT.

