

# 200W NSF PRO II | LED FOOD SAFETY LIGHT



## PRODUCT DESCRIPTION

THE NSF PRO II BRINGS YOU THE PINACLE IN FOOD SAFETY LIGHTING. IT LETS YOU LIGHT UP ANYTHING FROM SIMPLE FRUITS AND VEGETABLES ALL THE WAY UP TO PRIME CUT MEATS AND MORE. ITS PERFECT FOR SUPERMARKETS AND EVEN FOOD PROCESSING SPACES.

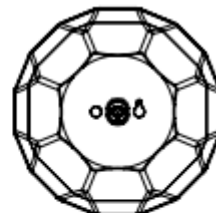


## RGL-NSF-PRO2-200W

## PRODUCT FEATURES & COMMON USE APPLICATIONS

- ✓ UL cUL
- ✓ Input voltage 120-277Vac
- ✓ No UV or IR in the beam
- ✓ Easy to install and operate
- ✓ Energy saving, long lifespan
- ✓ Instant start, NO flickering, NO humming
- ✓ Green and eco-friendly without mercury
- ✓ 5 Year Warranty.
- ✓ Food Processing Spaces
- ✓ Pharmaceutical Factory
- ✓ Farm
- ✓ Car wash
- ✓ Super Market

## PRODUCT DIMENSIONS

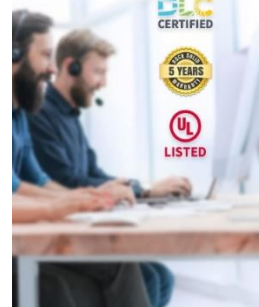


	80W-200W
Outlook Dimensions	Φ17.08"*7.56"

## LEGENDARY USA SUPPORT



US based phone and online customer support



Rugged Grade Lighting  
Industrial Grade Solutions



888-953-2476  
sales@ruggedgrade.com



## PRODUCT TECHNICAL SPECIFICATIONS

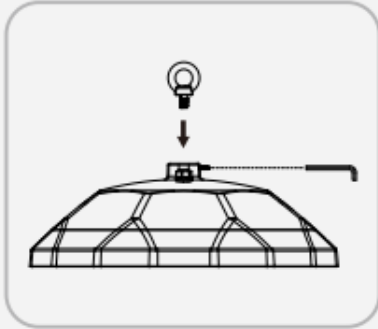
<b>OPTICAL</b>	Input Power (Tolerance: $\pm 10\%$ )	200W
	Color Temperature	5000K
	Lumen (Tolerance: -10%)	30000 LM
	Efficacy (Tolerance: -3%)	150 LM/W
	CRI	>80
	Distribution Pattern	NA
	Beam Angle (50%) (Tolerance: $\pm 15\%$ )	115°
	Input Voltage and Frequency	120VAC, 50/60Hz
	PF (Tolerance: -3%)	$\geq 0.9$
<b>ELECTRICAL</b>	THD (Tolerance: +5%)	$\leq 20\%$
	Flicker Percent	<5%
	Driver Brand	RG Driver
	Driver Model	NA
	Driver Surge protection	L/N-PE: 10kV, L-N:10kV
	Dimming	No
	Optional Accessory	None
	LED Brand	Lumileds
<b>MATERIALS</b>	LED Type	SMD2835
	LED QTY	288 PCS
	Housing	PC+aluminum
	Housing Color	White
	EPA	Call for more info
	Waterproof Rating	WET (IP66)
	Operating Temperature	-40°C TO 45°C
<b>OTHERS</b>	Storage Temperature	-40°C TO 80°C
	Operating Humidity	20% - 70% RH
	Storage Humidity	10% - 75% RH
	Warranty	5 years warranty with 24/7 operating hours Luminaire lifetime at 25°C.

## PRODUCT ACCESORIES

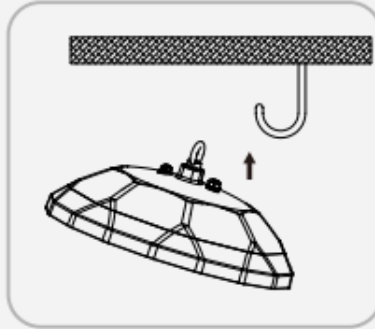


## PRODUCT IMAGES & ACTUAL INSTALLATIONS

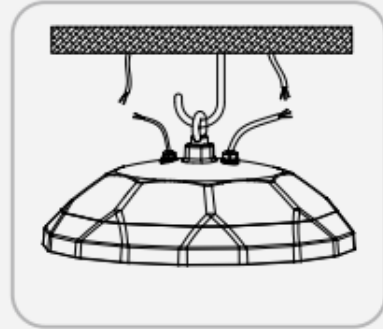
### O hook installation



1. Fix the ring to the lamp (rotate clockwise), tighten the screw

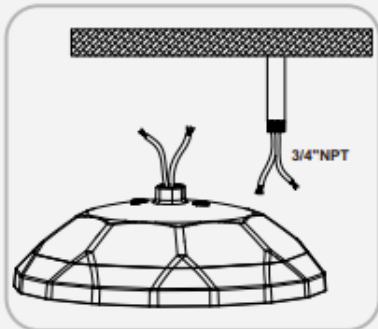


2. Put the ring into the mounting hook

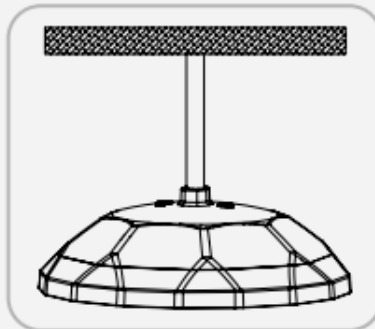


3. Wired as required under safety protection

### Pendant installation



1. Wired as required under safety protection



2. Rotate the lamp to the mounting pipe (rotate clockwise)



3. Tighten the screw



## PHOTOMETRICS & DLC PRODUCT SPEC

### Special application-LED Fresh Food Light

Depending on different foods, food color and other factors, the different color schemes will be provided upon different application. Fresh food LED lighting recipes can help make the difference in your fresh food departments by improving both the presentation and quality of your most perishable products.



LEGENDARY USA SUPPORT





### Package Info.

Model	Carton Dimension	voltage	Qty / Carton	N.W	G.W	20GP	40HQ
80W/100W/150W	18.7"*18.7"*8.07"	All voltage	1pcs	12.3±0.5lbs	16.3±0.5lbs	520pcs	1320pcs
200W		Except AC277-480V	1pcs	15.0±0.5lbs	19.0±0.5lbs	520pcs	1320pcs
200W		AC277-480V	1pcs	16.5±0.5lbs	20.5±0.5lbs	520pcs	1320pcs



## PRODUCT WARNINGS

- ⚡ Please turn off power before install or change assembly parts.
- ⚡ The input voltage and lamps should be matched, after connecting the power line.
- ⚡ Please make sure the wiring section is insulated.
- ⚡ Professionals must install and disassemble the lamps.
- ⚡ Surge is the number 1 cause of LED light failure. Outdoor lights must have surge at fixture, pole, and breaker.
- ⚡ Surge is the number 1 cause of LED light failure. Indoor lights must have surge at fixture and breaker.

## PRODUCT TROUBLESHOOTING

Issue	Check points
Light Flickers	<p>Check all wiring for disconnections, shorts and burnt wiring and connections. Confirm steady input voltage to the light fixture, fluctuating input voltage will harm the LED driver and can lead to premature failure. Lights with photocells can have photocell tag from ambient light or light reflecting at the sensor. Simply cover the photocell completely and see if flickering continues while the photocell is covered. Call Tech Support for help if none of the above solves the issue.</p>
Light does not work at all.	<p>Check all wiring for disconnections, shorts and burnt wiring and connections. Confirm steady input voltage to the light fixture, fluctuating input voltage will harm the LED driver and can lead to premature failure. If input voltage is not in the voltage range of the fixture, you will need to find the source of your input voltage issue. Call Tech Support for help if none of the above solves the issue.</p>

**For more technical information, install questions, troubleshooting help or warranty claims, we have a dedicated US Tech and Customer Support Team to help solve any issues you have and can be reached by email or phone. If you need help with any of our products, we are here for you so that you are never in the dark!**

# BETTER LIGHTS. BETTER SUPPORT.

