



Performance Roadway Lights - The Volantis series is a High Efficiency Replacement for High Mast lights. With a wattage adjustable dial to get the output just right.



**NAME:** High Mast Light

**P/N:** RGL-HM01-500S1C5AT5H1-acdf

**Note:**

The letter "a" can be can be 2 letters represent lamp colors; "BH = Black 、 WH=White 、 BR=Bronze or Customized"

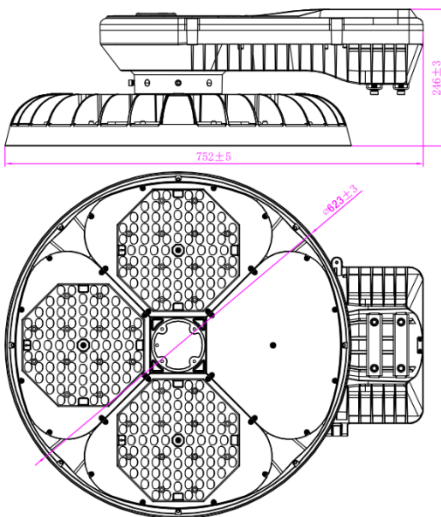
The letter "c" can be "3RP", "3NP", "5RP", "5NP", "7RP" or "7NP" for Photocontrol type provided or blank for no Photocontrol provided;

The letter "d" can be "10SP", "20SP" or blank for Surge protector type provided or not;

The letter "f" can be any two-digit number to represent CCT.

40=4000k,4500k=4500k,50=5000k,57=5700k;

## DIMENSIONS



## Advantage:

- UL cUL DLC-V5.1 certificate;
- Seoul Chip, High CRI;
- China Brand driver, Input voltage 277-480Vac;
- No UV or IR in the beam;
- Easy to install and operate;
- Energy saving, long lifespan;
- Instant start, NO flickering, NO humming;
- Green and eco-friendly without mercury;
- Output constant current lever can be adjusted through output cable with 0-10V.

## Application:

- Port Container Facilities; Highways and Interchanges;
- Rail Yards, Correctional Facilities, Large Area Industrial,
- Large Area Industrial; Military Installations;
- Airports; Truck Stops; Toll Plazas; Square plaza; Shipyard;

## SPECIFICATIONS

<b>OPTICAL</b>	Input Power (Tolerance : ±10%)	500W			
	Color Temperature	4000K	4500K	5000K	5700K
	Lumen (Tolerance : -10%)	70000 LM	70500 LM	71000 LM	71500 LM
	Efficacy (Tolerance : -3%)	140LM/W	141LM/W	142 LM/W	143 LM/W
	CRI	>70			
	Color Consistency	<6 Steps (or <6 SDCM)			
	BUG	B5-U0-G5			
	Distribution Pattern	Type V (Optional: TYPE IV / TYPE III / TYPE II)			
Beam Angle (50%) (Tolerance : ±15%)	155*155 Degree				
<b>ELECTRICAL</b>	Input Voltage and Frequency	277-480VAC, 50/60Hz			
	PF (Tolerance : -3%)	≥0.9			
	THD (Tolerance : +5%)	≤20%			
	Flicker Percent	<5%			
	Driver Brand	Rugged Grade Lighting			
	Driver Model	Rugged Grade Driver			
	Driver Surge protection	L/N-PE: 10kV, L-N: 6kV			
	Dimming	0-10V dimming standard			
	Optional Accessory	Photocell / Surge protector(20KV)			
<b>MATERIALS</b>	LED Brand	Seoul			
	LED Type	SMD5050			
	LED QTY	276 PCS			
	Housing	Die-cast aluminum			
	Housing Color	Black /Gray /Bronze/Customized			
	EPA	1.49 ft²			
	Waterproof Rating	WET (IP65)			
<b>OTHERS</b>	Operating Temperature	-40°C TO 45°C			
	Storage Temperature	-40°C TO 80°C			
	Operating Humidity	20% - 90% RH			
	Storage Humidity	10% - 95% RH			
	Warranty	5 years warranty with 24/7 operating hours Luminaire lifetime at 25°C.			



## LIGHT DISTRIBUTION TESTING PARAMETERS < Type V >

### Luminaire Property

Luminaire Manufacturer:  
 Luminaire Category:  
 Lamp Catalog:  
 Number of Lamps:  
 Luminous Length (mm):  
 Luminous Height (mm):  
 Current: 1.937 A  
 Power Factor: 0.937

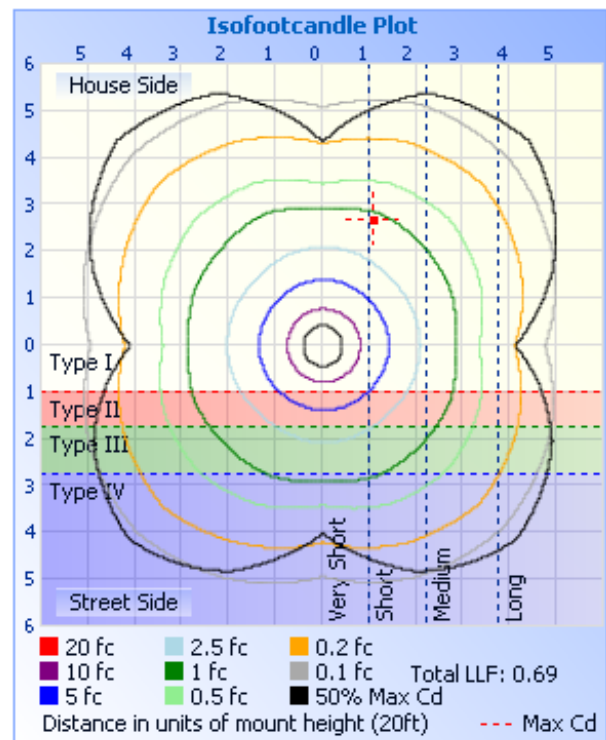
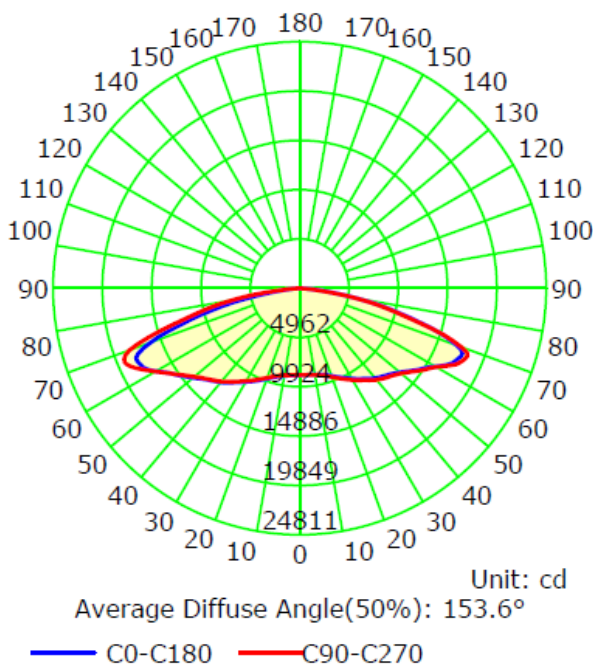
Luminaire Description:  
 Lamp Description:  
 Lumens per Lamp:  
 Luminous Width (mm):  
 Voltage: 277.0 V  
 Power: 502.73 W

### Photometric Results

IES Classification: Type V  
 Total Rated Lamp Lumens: 73602.9 lm  
 Efficiency: 100%  
 Upward Ratio: 0%  
 C0r0 Intensity: 8747.53 cd  
 Pos of Max. Intensity: H247.5 V71

Longitudinal Classification: Short  
 Measurement Flux: 73602.9 lm  
 Downward Ratio: 100%  
 Luminaire Efficacy Rating (LER): 146.46  
 Max. Intensity: 19849.23 cd

Luminous Intensity Distribution Curve





## NOTICE FOR USER

- Please turn off power before install or change assembly parts.
- The input voltage and lamps should be matched, after connecting the power line, Please make sure the wiring section is insulated.
- No-professionals, must not install and disassemble the lamps.

## TROUBLE SHOOTINGS

Troubles	Check points
Flickering of the light	Turn off the power and turn on again in 3 minutes. If same phenomena occur, then call agencies.
Out of working	Please check the connection.

For more technical information, install questions, troubleshooting help or warranty claims, we have a dedicated US Tech and Customer Support Team to help solve any issues you have and can be reached by email or phone. If you need help with any of our products, we are here for you so that you are never in the dark!

# BETTER LIGHTS. BETTER SUPPORT.

