

400W STADIUMPRO III | LED SPORT LIGHT



PRODUCT DESCRIPTION

THE STADIUM PRO SERIES EVOLVES WITH THE SERIES III! 7 YEAR WARRANTY! MORE EFFICIENT WITH HIGHER LUMENS, TOP-TIER SOSEN VP DRIVERS, AND A NEW SIMPLE SLIP-FIT MOUNT OPTION. THE STADIUM PRO III IS UL AND DLC 5.1 CERTIFIED - THE PINNACLE OF SPORT LIGHTING!

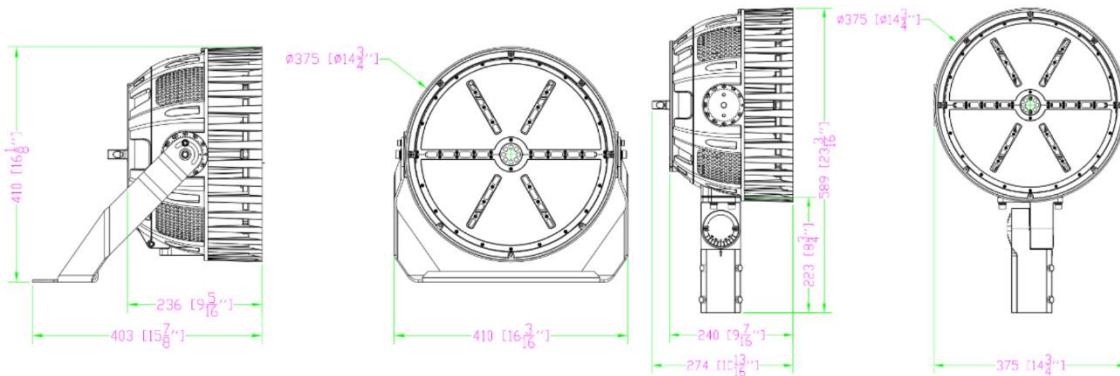


DLC #: RGL-STADIUMPRO-3-400W

PRODUCT FEATURES & COMMON USE APPLICATIONS

- ✓ UL cUL DLC-V5.1(Premium) certificate
- ✓ Input voltage 120-277Vac(Works With a 3 phase system)
- ✓ No UV or IR in the beam
- ✓ Easy to install and operate
- ✓ Energy saving, long lifespan
- ✓ Instant start, NO flickering, NO humming
- ✓ Green and eco-friendly without mercury
- ✓ Output constant current lever can be adjusted through output cable with 0-10V.
- ✓ Stadium Fields
- ✓ Gymnasium
- ✓ Square plaza
- ✓ Shipyard, Airport, wharf
- ✓ High mast and Contour lighting, etc.

PRODUCT DIMENSIONS



LEGENDARY USA SUPPORT



Rugged Grade Lighting
Industrial Grade Solutions



888-953-2476
sales@ruggedgrade.com



PRODUCT TECHNICAL SPECIFICATIONS

| | | |
|-------------------|---|---|
| OPTICAL | Input Power (Tolerance: $\pm 10\%$) | 400W |
| | Color Temperature | 5000K |
| | Lumen (Tolerance: -10%) | 58000 LM |
| | Efficacy (Tolerance: -3%) | 135 LM/W |
| | CRI | >70 |
| | Color Consistency | < 6 Steps (or < 6 SDCM) |
| | BUG | B5-U0-G3 |
| | Distribution Pattern | NEMA:4 |
| | Beam Angle (50%) (Tolerance: $\pm 15\%$) | 30° |
| ELECTRICAL | Input Voltage and Frequency | 120-277VAC, 50/60Hz (Works with 3 Phase System) |
| | PF (Tolerance: -3%) | ≥ 0.9 |
| | THD (Tolerance: $+5\%$) | $\leq 20\%$ |
| | Flicker Percent | $< 5\%$ |
| | Driver Brand | SOSEN |
| | Driver Model | SS-240M-56BH |
| | Driver Surge protection | L/N-PE: 10kV, L-N:6kV |
| | Dimming | 0-10V dimming standard |
| | Optional Accessory | Sensor Receptacle + Photosensor /Sensor Receptacle + Short Cap |
| MATERIALS | LED Brand | Bridgelux |
| | LED Type | SMD3030 |
| | LED QTY | 504 PCS |
| | Housing | Die-cast aluminum |
| | Housing Color | Black, White, Bronze, or Customized |
| | EPA | 1.6 ft ² |
| | Waterproof Rating | WET (IP65) |
| OTHERS | Operating Temperature | -40°C TO 45°C |
| | Storage Temperature | -40°C TO 80°C |
| | Operating Humidity | 20% - 90% RH |
| | Storage Humidity | 10% - 95% RH |
| | Warranty | 5 years warranty with 24/7 operating hours Luminaire lifetime at 25°C . |

PRODUCT ACCESORIES



Slip Fit Mount



Laser Point



Flood Mount



Visor



PRODUCT IMAGES & ACTUAL INSTALLATIONS



Slip Fit Mount and Flood Mount included



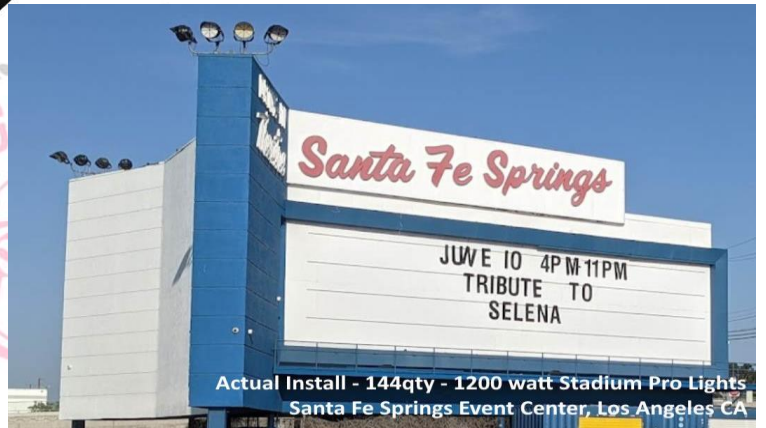
Slip Fit Mount



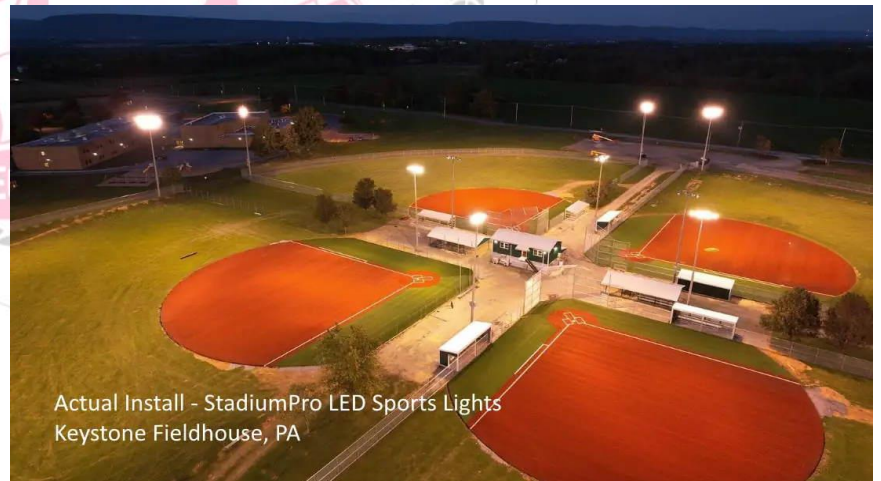
Flood Mount



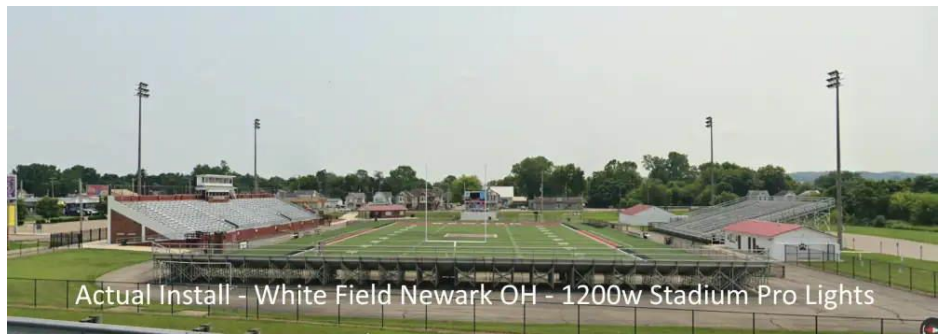
Actual Install - ECMX Motorsports Park MT



Actual Install - 144qty - 1200 watt Stadium Pro Lights
Santa Fe Springs Event Center, Los Angeles CA



Actual Install - StadiumPro LED Sports Lights
Keystone Fieldhouse, PA



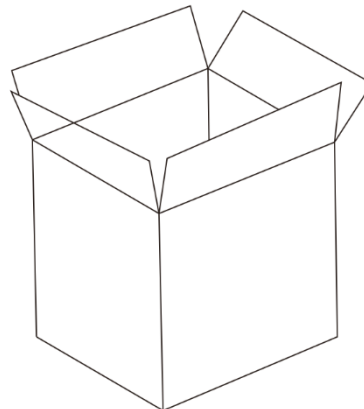
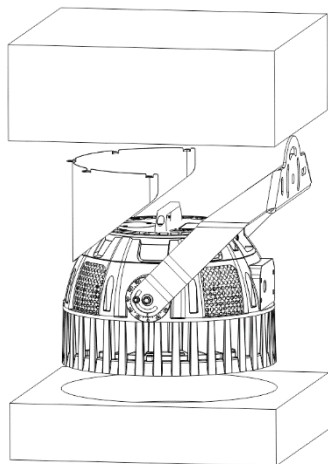
Actual Install - White Field Newark OH - 1200w Stadium Pro Lights



PRODUCT PACKAGING

| Bracket Type | Carton Size | Qty / Carton | Net Weight / Carton | Gross Weight / Carton |
|--------------|----------------|--------------|---------------------|-----------------------|
| FM | 680*630*585 MM | 1 PC | 14.82 KG | 35 KG |
| AM | 900*630*585 MM | 1 PC | 15.12 KG | 36.6 KG |

*Tolerance of Carton Size: ±15 MM, Tolerance of Weight: ±10%.



PRODUCT WARNINGS

- ⚡ Please turn off power before install or change assembly parts.
- ⚡ The input voltage and lamps should be matched, after connecting the power line.
- ⚡ Please make sure the wiring section is insulated.
- ⚡ Professionals must install and disassemble the lamps.
- ⚡ Surge is the number 1 cause of LED light failure. Outdoor lights must have surge at fixture, pole, and breaker.
- ⚡ Surge is the number 1 cause of LED light failure. Indoor lights must have surge at fixture and breaker.

PRODUCT TROUBLESHOOTING

| Issue | Check points |
|-----------------------------|--|
| Light Flickers | Check all wiring for disconnections, shorts and burnt wiring and connections. Confirm steady input voltage to the light fixture, fluctuating input voltage will harm the LED driver and can lead to premature failure. Lights with photocells can have photocell tag from ambient light or light reflecting at the sensor. Simply cover the photocell completely and see if flickering continues while the photocell is covered. Call Tech Support for help if none of the above solves the issue. |
| Light does not work at all. | Check all wiring for disconnections, shorts and burnt wiring and connections. Confirm steady input voltage to the light fixture, fluctuating input voltage will harm the LED driver and can lead to premature failure. If input voltage is not in the voltage range of the fixture, you will need to find the source of your input voltage issue. Call Tech Support for help if none of the above solves the issue. |

For more technical information, install questions, troubleshooting help or warranty claims, we have a dedicated US Tech and Customer Support Team to help solve any issues you have and can be reached by email or phone. If you need help with any of our products, we are here for you so that you are never in the dark!

BETTER LIGHTS. BETTER SUPPORT.



CERTIFIED



LISTED





US based
phone and online
customer support



5 YEARS
WARRANTY