

PRODUCT DESCRIPTION

THE NEW REGOS SERIES LIGHT IS THE NEXT STEP IN WALL LIGHTING. WITH ITS NEW SLEEK DESIGN AND FULLY TUNABLE COLOR OUTPUT THIS LIGHT IS LIKE SOMETHING STRAIGHT OUT OF THE FUTURE!

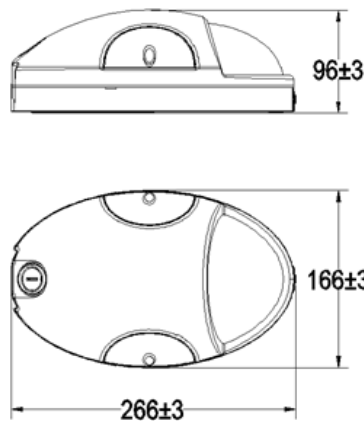


DLC Part #: RGL-REGOS-15WWBDPDA1

PRODUCT FEATURES & COMMON USE APPLICATIONS

- ✓ Lumileds Chip, high CRI.
- ✓ Input voltage 120-277Vac
- ✓ No UV or IR in the beam
- ✓ Easy to install and operate
- ✓ Energy saving, long lifespan
- ✓ Instant start, NO flickering, NO humming
- ✓ Green and eco-friendly without mercury
- ✓ Output constant current lever can be adjusted through output cable with 0-10V.
- ✓ Entrance lighting, Courtyard Lighting
- ✓ Industrial Lighting, Outdoor landscaping light
- ✓ Building, The Hotel.
- ✓ Wall lighting Area ETC.

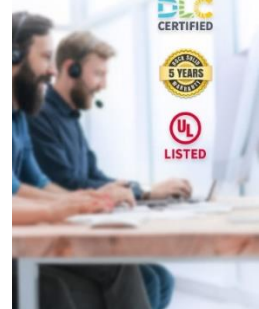
PRODUCT DIMENSIONS



LEGENDARY USA SUPPORT



US based phone and online customer support





PRODUCT TECHNICAL SPECIFICATIONS

OPTICAL	Input Power (Tolerance: $\pm 10\%$)	15W		
	Color Temperature	3500K	4000K	5000K
	Lumen (Tolerance: -10%)	1740 lm	1775 LM	1814 LM
	Efficacy (Tolerance: -3%)	130 LM/W	133 LM/W	138 LM/W
	CRI	>80		
	Color Consistency	< 7 Steps (or < 7 SDCM)		
	Distribution Pattern	Clear Drop Lens		
	Beam Angle (50%) (Tolerance: $\pm 15\%$)	100°		
	Input Voltage and Frequency	120-277VAC, 50/60Hz		
ELECTRICAL	PF (Tolerance: -3%)	≥ 0.9		
	THD (Tolerance: +5%)	$\leq 20\%$		
	Flicker Percent	<70%		
	Driver Brand	RG		
	Driver Model	RG-15W-120v		
	Driver Surge protection	L/N-PE: 2.5kV, L-N:2.5kV		
	Dimming	0-10V dimming standard		
	Optional Accessory	Photosensor		
	LED Brand	Lumileds		
MATERIALS	LED Type	SMD2835		
	LED QTY	3500K 80 PCS 5000K 48pcs		
	Housing	Die-cast aluminum		
	Housing Color	Black, Bronze, or Customized		
	Waterproof Rating	WET (IP65)		
	Operating Temperature	-40°C TO 45°C		
	Storage Temperature	-40°C TO 85°C		
OTHERS	Operating Humidity	20% - 90% RH		
	Storage Humidity	10% - 95% RH		
	Warranty	5 years warranty with 24/7 operating hours Luminaire lifetime at 25°C.		

PRODUCT ACCESORIES



PRODUCT IMAGES & ACTUAL INSTALLATIONS



PRODUCT PACKAGING

	Carton Size	Qty / Carton	Net Weight / Carton	Gross Weight / Carton
Outer box	532*360*295mm	10	14.6	17
Inner box	172*103*275mm	1	1.46	1.67

Tolerance of Carton Size: ± 15 MM, Tolerance of Weight: $\pm 10\%$.



LIGHT DISTRIBUTION TESTING PARAMETERS

Luminaire Property

Luminaire Manufacturer:
 Luminaire Category:
 Lamp Catalog:
 Number of Lamps:
 Luminous Length (mm):
 Luminous Height (mm):
 Current: 0.113 A
 Power Factor: 0.987

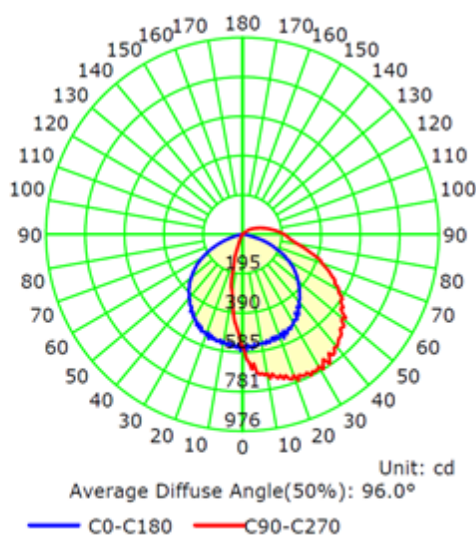
Luminaire Description:
 Lamp Description:
 Lumens per Lamp:
 Luminous Width (mm):
 Voltage: 120.0 V
 Power: 13.35 W

Photometric Results

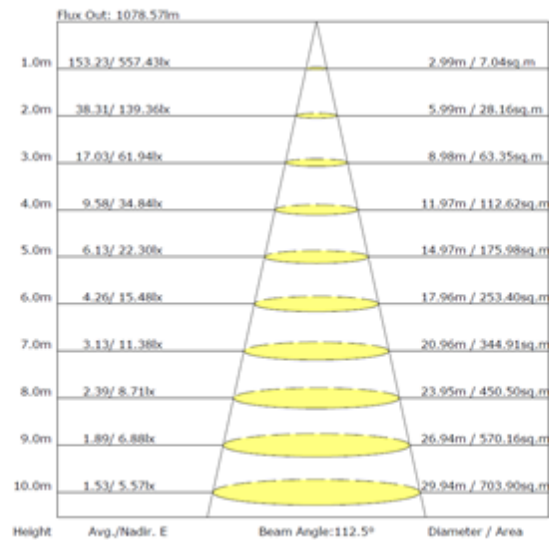
IES Classification: Type IV
 Total Rated Lamp Lumens: 1740.0 lm
 Efficiency: 100%
 Upward Ratio: 8%
 C0r0 Intensity: 557.43 cd
 Pos of Max. Intensity: H90 V31

Longitudinal Classification: Very Short
 Measurement Flux: 1740 lm
 Downward Ratio: 92%
 Luminaire Efficacy Rating (LER): 130.39
 Max. Intensity: 781.05 cd

Luminous Intensity Distribution Curve



The Average Illuminance Effective Figure



Product ID: S-VRJOUE

X



RGL-REGOS-15WBDPDA1-abcd

Manufacturer: RuggedGrade
Brand: RuggedGrade

PRODUCT OVERVIEW

Classification	Premium
Primary Use	Outdoor Non-Cutoff and Semi-Cutoff Wall-Mounted Area Luminaires
Reported Input Wattage	13.4 W
Reported Light Output	1740 lm
Reported CCT	3500 K
Reported CRI (Ra)	82
Product ID	S-VRJOUE
DLC Family Code	SLFAJY
Listing Status	Listed
Date Qualified	2023-03-21

PRODUCT INFORMATION

Qualified Product List	Solid State Lighting
Technical Requirements Version	5.1
Product ID	S-VRJOUE
Manufacturer	RuggedGrade
Brand	RuggedGrade
Model Number	RGL-REGOS-15WBDPDA1-abcd
Parent	Yes
Classification	Premium

PRODUCT CATEGORIZATION

[VIEW DETAILS](#)

CONTROL FEATURES

[VIEW DETAILS](#)

REPORTED PHOTOMETRIC PERFORMANCE

Reported Light Output	1740 lm
Reported Efficacy (AC)	130.34 lm/W
Reported CCT	3500 K
Reported CRI (Ra)	82
Reported R9	4
Reported IES Rf	84
Reported IES Rg	96
Reported IES Rcs,h1	-12



PRODUCT WARNINGS

- ⚡ Please turn off power before install or change assembly parts.
- ⚡ The input voltage and lamps should be matched, after connecting the power line.
- ⚡ Please make sure the wiring section is insulated.
- ⚡ Professionals must install and disassemble the lamps.
- ⚡ Surge is the number 1 cause of LED light failure. Outdoor lights must have surge at fixture, pole, and breaker.
- ⚡ Surge is the number 1 cause of LED light failure. Indoor lights must have surge at fixture and breaker.

PRODUCT TROUBLESHOOTING

Issue	Check points
Light Flickers	Check all wiring for disconnections, shorts and burnt wiring and connections. Confirm steady input voltage to the light fixture, fluctuating input voltage will harm the LED driver and can lead to premature failure. Lights with photocells can have photocell tag from ambient light or light reflecting at the sensor. Simply cover the photocell completely and see if flickering continues while the photocell is covered. Call Tech Support for help if none of the above solves the issue.
Light does not work at all.	Check all wiring for disconnections, shorts and burnt wiring and connections. Confirm steady input voltage to the light fixture, fluctuating input voltage will harm the LED driver and can lead to premature failure. If input voltage is not in the voltage range of the fixture, you will need to find the source of your input voltage issue. Call Tech Support for help if none of the above solves the issue.

For more technical information, install questions, troubleshooting help or warranty claims, we have a dedicated US Tech and Customer Support Team to help solve any issues you have and can be reached by email or phone. If you need help with any of our products, we are here for you so that you are never in the dark!



**BETTER LIGHTS.
BETTER SUPPORT.**



DLC
CERTIFIED



UL
LISTED



LEGENDARY RUGGEDGRADE QUALITY
LEGENDARY USA SUPPORT



US based
phone and online
customer support



ROCK SOLID
5 YEARS
WARRANTY