

# 150W Perconi Series | LED Post Top Light



## PRODUCT DESCRIPTION

Gorgeous Perconi Series sets the tone for your entire business! Clean, Elegant and Powerful meets state of the art LED technology! Dark Sky Compliant and LED efficiency in a Modern Design.!

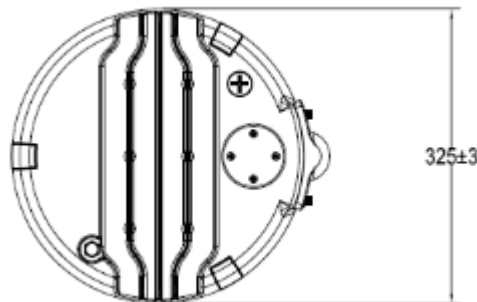
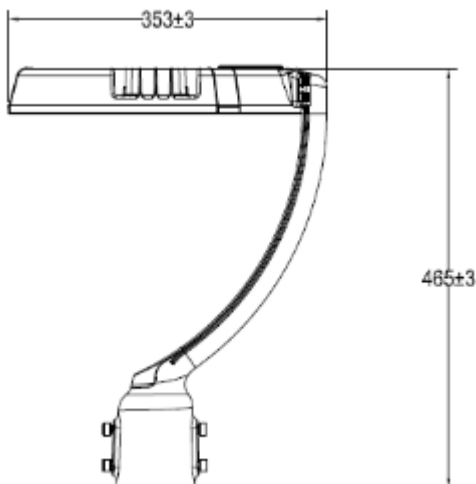


Part #: RGL-Perconi-150W

## PRODUCT FEATURES & COMMON USE APPLICATIONS

- ✓ Lumileds Chip, high CRI.
- ✓ Input voltage 120-277Vac
- ✓ No UV or IR in the beam
- ✓ Easy to install and operate
- ✓ Energy saving, long lifespan
- ✓ Instant start, NO flickering, NO humming
- ✓ Green and eco-friendly without mercury
- ✓ Output constant current lever can be adjusted through output cable with 0-10V.
- ✓ City Slow lane, Narrow Lane
- ✓ Residential Area, Plaza
- ✓ Building, The Hotel.
- ✓ Sightseeing Area, Village Road and so on

## PRODUCT DIMENSIONS



Rugged Grade Lighting  
Industrial Grade Solutions



## LEGENDARY USA SUPPORT

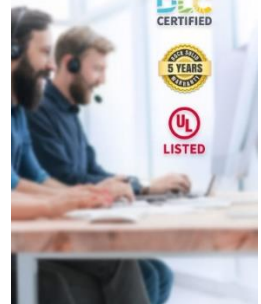


US based  
phone and online  
customer support

DLC  
CERTIFIED

5 YEARS  
WARRANTY

UL  
LISTED



888-953-2476  
sales@ruggedgrade.com



### PRODUCT TECHNICAL SPECIFICATIONS

<b>OPTICAL</b>	Input Power (Tolerance: $\pm 10\%$ )	150/120/100W(Wattage Adjustable Range: 25-100% )	
	Color Temperature	4000K	5000K
	Lumen (Tolerance: -10%)	18750-20250LM	19500-21000 LM
	Efficacy (Tolerance: -3%)	125-135 LM/W	130-140 LM/W
	CRI	>80	
	Color Consistency	< 7 Steps (or <7 SDCM)	
	Distribution Pattern	Type III	
	Beam Angle (50%) (Tolerance: $\pm 15\%$ )	155*90 degree	
	Input Voltage and Frequency	120-277VAC, 50/60Hz	
<b>ELECTRICAL</b>	PF (Tolerance: -3%)	$\geq 0.9$	
	THD (Tolerance: +5%)	$\leq 20\%$	
	Flicker Percent	<30%	
	Driver Brand	RG	
	Driver Model	RG-150W-120v	
	Driver Surge protection	L/N-PE: 4kV, L-N 6kV	
	Dimming	0-10V dimming standard	
	Optional Accessory	Photosensor (included)	
	LED Brand	Lumileds	
<b>MATERIALS</b>	LED Type	SMD2835	
	LED QTY	143 PCS	
	Housing	Die-cast aluminum	
	Housing Color	Black, Bronze, or Customized	
	Waterproof Rating	WET (IP65)	
	Operating Temperature	-40°C TO 50°C	
	Storage Temperature	-40°C TO 80°C	
<b>OTHERS</b>	Operating Humidity	5% - 95% RH	
	Storage Humidity	5% - 95% RH	
	Warranty	5 years warranty with 24/7 operating hours Luminaire lifetime at 25°C.	

### PRODUCT ACCESORIES



PRODUCT IMAGES & ACTUAL INSTALLATIONS

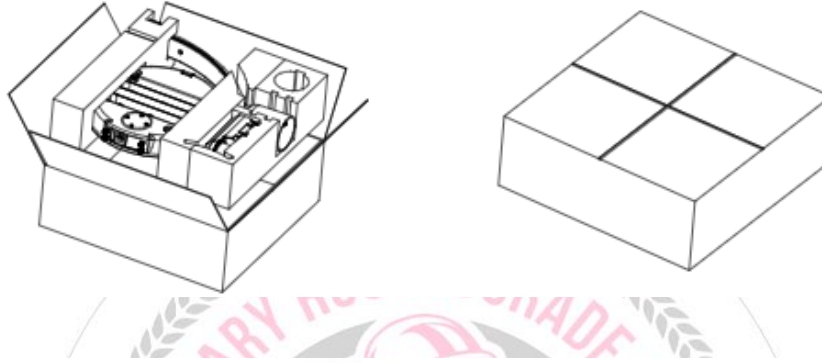


## PRODUCT PACKAGING

### PACKAGE

Bracket Type	Carton Size	Qty / Carton	Net Weight / Carton	Gross Weight / Carton
AM	490*470*145mm	1 PC	4.2kg	5.5kg
GM	490*470*145mm	1 PC	4.6kg	5.8kg

Tolerance of Carton Size:  $\pm 15$  MM, Tolerance of Weight:  $\pm 10\%$ .



**PRODUCT WARNINGS**

- ⚡ Please turn off power before install or change assembly parts.
- ⚡ The input voltage and lamps should be matched, after connecting the power line.
- ⚡ Please make sure the wiring section is insulated.
- ⚡ Professionals must install and disassemble the lamps.
- ⚡ Surge is the number 1 cause of LED light failure. Outdoor lights must have surge at fixture, pole, and breaker.
- ⚡ Surge is the number 1 cause of LED light failure. Indoor lights must have surge at fixture and breaker.

**PRODUCT TROUBLESHOOTING**

Issue	Check points
Light Flickers	Check all wiring for disconnections, shorts and burnt wiring and connections. Confirm steady input voltage to the light fixture, fluctuating input voltage will harm the LED driver and can lead to premature failure. Lights with photocells can have photocell tag from ambient light or light reflecting at the sensor. Simply cover the photocell completely and see if flickering continues while the photocell is covered. Call Tech Support for help if none of the above solves the issue.
Light does not work at all.	Check all wiring for disconnections, shorts and burnt wiring and connections. Confirm steady input voltage to the light fixture, fluctuating input voltage will harm the LED driver and can lead to premature failure. If input voltage is not in the voltage range of the fixture, you will need to find the source of your input voltage issue. Call Tech Support for help if none of the above solves the issue.

For more technical information, install questions, troubleshooting help or warranty claims, we have a dedicated US Tech and Customer Support Team to help solve any issues you have and can be reached by email or phone. If you need help with any of our products, we are here for you so that you are never in the dark!



**BETTER LIGHTS.  
BETTER SUPPORT.**



**CERTIFIED**



**LISTED**



LEGENDARY RUGGEDGRADE DUTY  
LEGENDARY USA SUPPORT



US based  
phone and online  
customer support



ROCK SOLID  
**5 YEARS**  
WARRANTY