

30W Pavo 4 | LED Wall Light



PRODUCT DESCRIPTION

THE NEW PAVO SERIES LIGHT IS THE NEXT STEP IN WALL LIGHTING. WITH ITS NEW SLEEK DESIGN AND FULLY TUNABLE WATTAGE OUTPUT THIS LIGHT IS LIKE SOMETHING STRAIGHT OUT OF THE FUTURE!

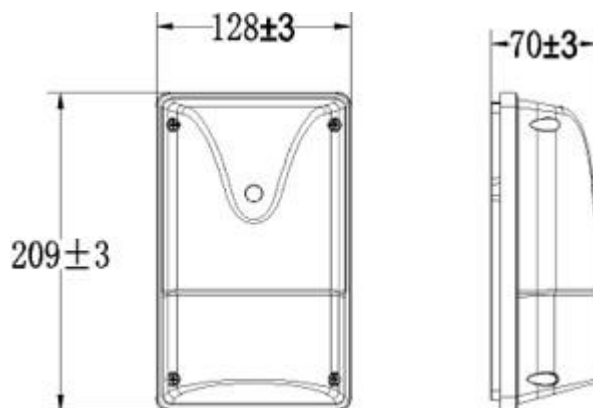


Part #: RGL-PAVO-4-30W

PRODUCT FEATURES & COMMON USE APPLICATIONS

- ✓ Lumileds Chip, high CRI.
- ✓ Input voltage 120-277Vac
- ✓ No UV or IR in the beam
- ✓ Easy to install and operate
- ✓ Energy saving, long lifespan
- ✓ Instant start, NO flickering, NO humming
- ✓ Green and eco-friendly without mercury
- ✓ Output constant current lever can be adjusted through output cable with 0-10V.
- ✓ Entrance lighting, Courtyard Lighting
- ✓ Industrial Lighting, Outdoor landscaping light
- ✓ Building, The Hotel.
- ✓ Wall lighting Area ETC.

PRODUCT DIMENSIONS



LEGENDARY USA SUPPORT

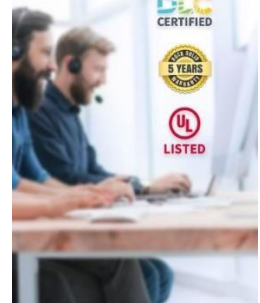


US based phone and online customer support

DLC CERTIFIED

5 YEARS WARRANTY

UL LISTED



Rugged Grade Lighting
Industrial Grade Solutions



888-953-2476
sales@ruggedgrade.com

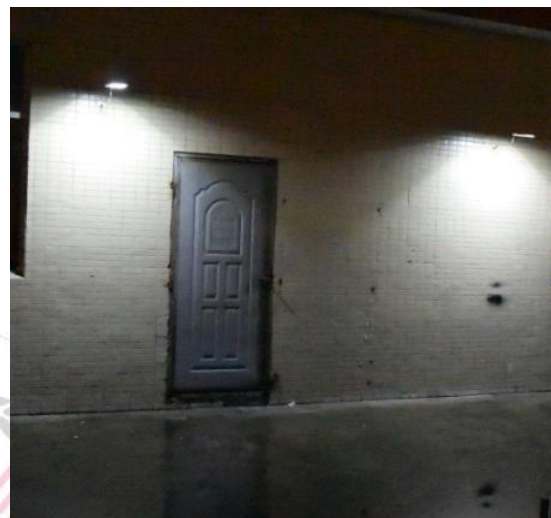
PRODUCT TECHNICAL SPECIFICATIONS

OPTICAL	Input Power (Tolerance: ±10%)	30W	
	Color Temperature	2700K-3000K	4000K-5700K
	Lumen (Tolerance: -10%)	3600-3900LM	160800 LM
	Efficacy (Tolerance: -3%)	120-130 LM/W	125-135 LM/W
	CRI	>80	
	Color Consistency	< 6 Steps (or < 6 SDCM)	
	Distribution Pattern	NEMA:4	
	Beam Angle (50%) (Tolerance: ±15%)	100°	
Input Voltage and Frequency	120-277VAC, 50/60Hz		
ELECTRICAL	PF (Tolerance: -3%)	≥0.9	
	THD (Tolerance: +5%)	≤20%	
	Flicker Percent	<70%	
	Driver Brand	RG	
	Driver Model	RG-30W-120v	
	Driver Surge protection	L/N-PE: 2.5kV, L-N:2.5kV	
	Dimming	0-10V dimming standard	
	Optional Accessory	Photosensor	
	LED Brand	Lumileds	
MATERIALS	LED Type	SMD2835	
	LED QTY	117 PCS	
	Housing	Die-cast aluminum	
	Housing Color	Black, Bronze, or Customized	
	Waterproof Rating	WET (IP65)	
	Operating Temperature	-40°C TO 50°C	
	Storage Temperature	-40°C TO 85°C	
OTHERS	Operating Humidity	10% - 90% RH	
	Storage Humidity	5% - 95% RH	
	Warranty	5 years warranty with 24/7 operating hours Luminaire lifetime at 25°C.	

PRODUCT ACCESORIES



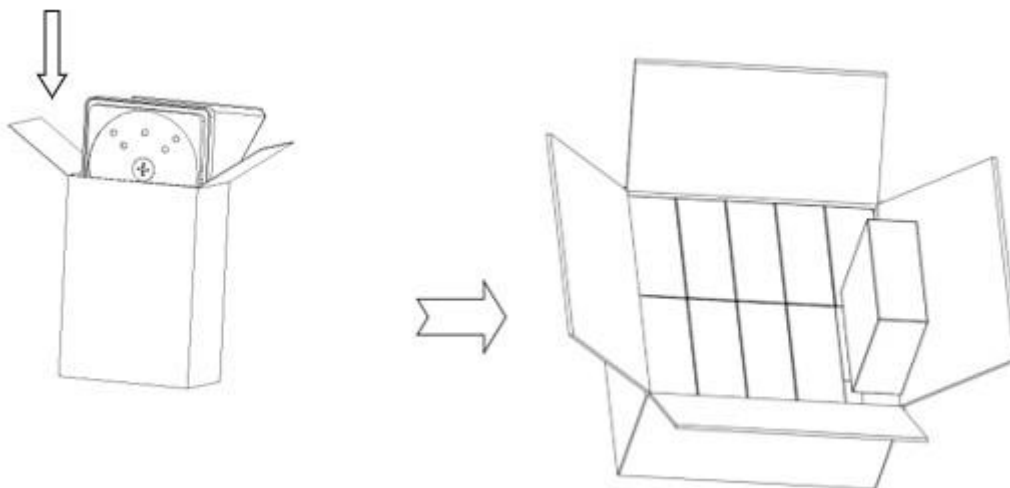
PRODUCT IMAGES & ACTUAL INSTALLATIONS



PRODUCT PACKAGING

	Carton Size	Qty / Carton	Net Weight / Carton	Gross Weight / Carton
Inner Box	135*80*219 MM	1 PC	0.7 KG	0.7 KG
Outer box	417*285*239 MM	10 PC	7 KG	9 KG

*Tolerance of Carton Size: ± 15 MM, Tolerance of Weight: $\pm 10\%$.



PRODUCT WARNINGS

- ⚠ Please turn off power before install or change assembly parts.
- ⚠ The input voltage and lamps should be matched, after connecting the power line.
- ⚠ Please make sure the wiring section is insulated.
- ⚠ Professionals must install and disassemble the lamps.
- ⚠ Surge is the number 1 cause of LED light failure. Outdoor lights must have surge at fixture, pole, and breaker.
- ⚠ Surge is the number 1 cause of LED light failure. Indoor lights must have surge at fixture and breaker.

PRODUCT TROUBLESHOOTING

Issue	Check points
Light Flickers	Check all wiring for disconnections, shorts and burnt wiring and connections. Confirm steady input voltage to the light fixture, fluctuating input voltage will harm the LED driver and can lead to premature failure. Lights with photocells can have photocell tag from ambient light or light reflecting at the sensor. Simply cover the photocell completely and see if flickering continues while the photocell is covered. Call Tech Support for help if none of the above solves the issue.
Light does not work at all.	Check all wiring for disconnections, shorts and burnt wiring and connections. Confirm steady input voltage to the light fixture, fluctuating input voltage will harm the LED driver and can lead to premature failure. If input voltage is not in the voltage range of the fixture, you will need to find the source of your input voltage issue. Call Tech Support for help if none of the above solves the issue.

For more technical information, install questions, troubleshooting help or warranty claims, we have a dedicated US Tech and Customer Support Team to help solve any issues you have and can be reached by email or phone. If you need help with any of our products, we are here for you so that you are never in the dark!

BETTER LIGHTS. BETTER SUPPORT.

