

PRODUCT DESCRIPTION

THE NEW PAVO SERIES LIGHT IS THE NEXT STEP IN WALL LIGHTING. WITH ITS NEW SLEEK DESIGN AND FULLY TUNABLE WATTAGE OUTPUT THIS LIGHT IS LIKE SOMETHING STRAIGHT OUT OF THE FUTURE!

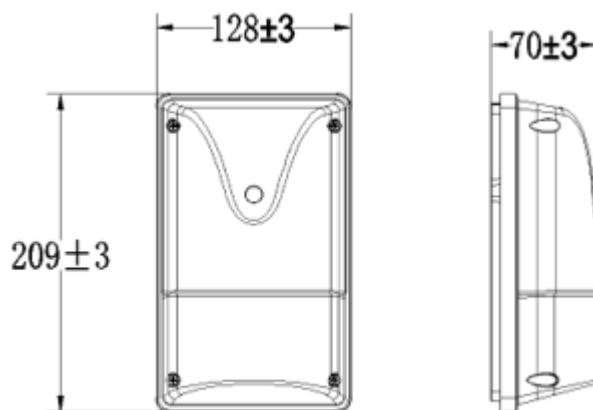


Part #: RGL-PAVO-4-20W

PRODUCT FEATURES & COMMON USE APPLICATIONS

- ✓ Lumileds Chip, high CRI.
- ✓ Input voltage 120-277Vac
- ✓ No UV or IR in the beam
- ✓ Easy to install and operate
- ✓ Energy saving, long lifespan
- ✓ Instant start, NO flickering, NO humming
- ✓ Green and eco-friendly without mercury
- ✓ Output constant current lever can be adjusted through output cable with 0-10V.
- ✓ Entrance lighting, Courtyard Lighting
- ✓ Industrial Lighting, Outdoor landscaping light
- ✓ Building, The Hotel.
- ✓ Wall lighting Area ETC.

PRODUCT DIMENSIONS



LEGENDARY USA SUPPORT



US based phone and online customer support



PRODUCT TECHNICAL SPECIFICATIONS

OPTICAL	Input Power (Tolerance: $\pm 10\%$)	20W(Wattage Tunable : 20W 15W 10W)	
	Color Temperature	2700K-3000K	4000K-5700K
	Lumen (Tolerance: -10%)	2400-2600LM	2500-2800 LM
	Efficacy (Tolerance: -3%)	120-130 LM/W	130-140 LM/W
	CRI	>80	
	Color Consistency	< 7 Steps (or <7 SDCM)	
	Distribution Pattern	NEMA:4	
	Beam Angle (50%) (Tolerance: $\pm 15\%$)	100°	
ELECTRICAL	Input Voltage and Frequency	120-277VAC, 50/60Hz	
	PF (Tolerance: -3%)	≥ 0.9	
	THD (Tolerance: +5%)	$\leq 20\%$	
	Flicker Percent	<70%	
	Driver Brand	RG	
	Driver Model	RG-20W-120v	
	Driver Surge protection	L/N-PE: 2.5kV, L-N:2.5kV	
	Dimming	0-10V dimming standard	
	Optional Accessory	Photosensor	
MATERIALS	LED Brand	Lumileds	
	LED Type	SMD2835	
	LED QTY	63 PCS*2	
	Housing	Die-cast aluminum	
	Housing Color	Black, Bronze, or Customized	
	Waterproof Rating	WET (IP65)	
	Operating Temperature	-40°C TO 50°C	
OTHERS	Storage Temperature	-40°C TO 85°C	
	Operating Humidity	10% - 90% RH	
	Storage Humidity	5% - 95% RH	
	Warranty	5 years warranty with 24/7 operating hours Luminaire lifetime at 25°C.	

PRODUCT ACCESORIES



PRODUCT IMAGES & ACTUAL INSTALLATIONS



PHOTOMETRICS & DLC PRODUCT SPEC

Product ID: S-0LR9UD



RGL-PAVO4-20WBMDA1-abWd

Manufacturer: RuggedGrade
Brand: RuggedGrade

PRODUCT OVERVIEW

Classification	Premium
Primary Use	Outdoor Non-Cutoff and Semi-Cutoff Wall-Mounted Area Luminaires
Reported Input Wattage	21.3 W
Reported Light Output	2724 lm
Reported CCT	3000 K
Reported CRI (Ra)	82
Product ID	S-0LR9UD
DLC Family Code	SLFAHJ
Listing Status	Listed
Date Qualified	2023-01-07

PRODUCT INFORMATION

Qualified Product List	Solid State Lighting
Technical Requirements Version	5.1
Product ID	S-0LR9UD
Manufacturer	RuggedGrade
Brand	RuggedGrade
Model Number	RGL-PAVO4-20WBMDA1-abWd
Parent	Yes
Classification	Premium

PRODUCT CATEGORIZATION

[VIEW DETAILS](#)

CONTROL FEATURES

[VIEW DETAILS](#)

REPORTED PHOTOMETRIC PERFORMANCE

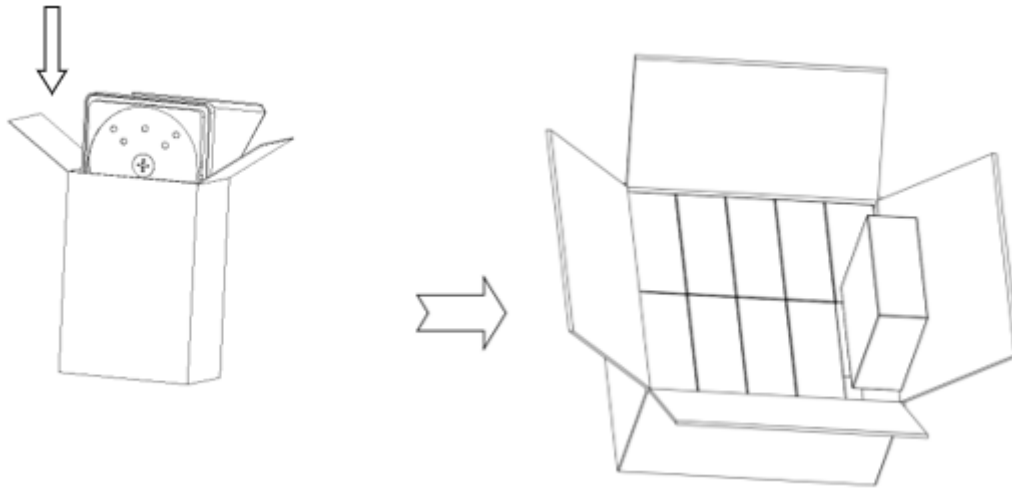
Reported Light Output	2724 lm
Reported Efficacy (AC)	127.95 lm/W
Reported CCT	3000 K
Reported CRI (Ra)	82
Reported R9	5
Reported IES Rf	84
Reported IES Rg	97
Reported IES Rcs,h1	-12



PRODUCT PACKAGING

Bracket Type	Carton Size	Qty / Carton	Net Weight / Carton	Gross Weight / Carton
FM	135*80*219 MM	1 PC	0.7 KG	0.7 KG
AM	417*285*239 MM	10 PC	7 KG	9 KG

*Tolerance of Carton Size: ± 15 MM, Tolerance of Weight: $\pm 10\%$.



PRODUCT WARNINGS

- ⚡ Please turn off power before install or change assembly parts.
- ⚡ The input voltage and lamps should be matched, after connecting the power line.
- ⚡ Please make sure the wiring section is insulated.
- ⚡ Professionals must install and disassemble the lamps.
- ⚡ Surge is the number 1 cause of LED light failure. Outdoor lights must have surge at fixture, pole, and breaker.
- ⚡ Surge is the number 1 cause of LED light failure. Indoor lights must have surge at fixture and breaker.

PRODUCT TROUBLESHOOTING

Issue	Check points
Light Flickers	Check all wiring for disconnections, shorts and burnt wiring and connections. Confirm steady input voltage to the light fixture, fluctuating input voltage will harm the LED driver and can lead to premature failure. Lights with photocells can have photocell tag from ambient light or light reflecting at the sensor. Simply cover the photocell completely and see if flickering continues while the photocell is covered. Call Tech Support for help if none of the above solves the issue.
Light does not work at all.	Check all wiring for disconnections, shorts and burnt wiring and connections. Confirm steady input voltage to the light fixture, fluctuating input voltage will harm the LED driver and can lead to premature failure. If input voltage is not in the voltage range of the fixture, you will need to find the source of your input voltage issue. Call Tech Support for help if none of the above solves the issue.

For more technical information, install questions, troubleshooting help or warranty claims, we have a dedicated US Tech and Customer Support Team to help solve any issues you have and can be reached by email or phone. If you need help with any of our products, we are here for you so that you are never in the dark!

**BETTER LIGHTS.
BETTER SUPPORT.**

