

# 110W ORION III | LED HIGH BAY LINEAR LIGHT



## PRODUCT DESCRIPTION

Orion III Series High Bay Linear Light is the latest in LED technology. Smaller, longer lasting and more efficient LED high bay lighting. 0-10v dimmability, top level DLC 5.1 Premium certification and UL listed for safety, with an Ultra-Efficient 145+ lumens per watt.



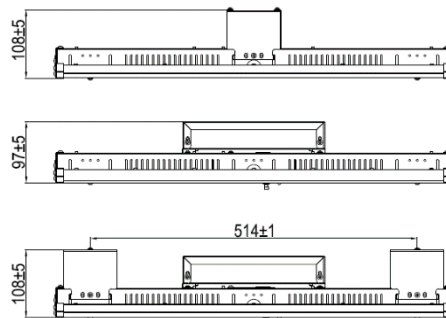
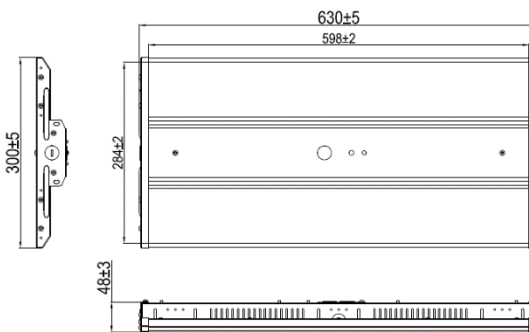
## DLC #:

RGL-ORION3-110WBMB

## PRODUCT FEATURES & COMMON USE APPLICATIONS

- UL, cUL, certificate.
- Lumileds Chip, high CRI.
- Input voltage 120-277VAC .
- Wattage adjustable.
- Output constant current lever can be adjusted through output cable with 0-10V.
- No UV or IR in the beam.
- Easy to install and operate.
- Energy saving, long lifespan.
- Light is soft and uniform, safe to eyes.
- Instant start, NO flickering, NO humming.
- Green and eco-friendly without mercury.
- Warehouse, factory and workshops.
- Exhibition Hall and supermarkets, etc.

## PRODUCT DIMENSIONS



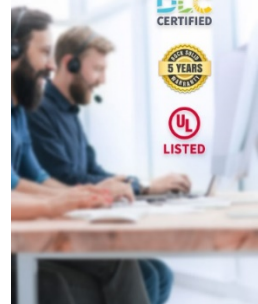
Rugged Grade Lighting  
Industrial Grade Solutions



## LEGENDARY USA SUPPORT



US based  
phone and online  
customer support



888-953-2476  
sales@ruggedgrade.com



## PRODUCT TECHNICAL SPECIFICATIONS

<b>OPTICAL</b>	Input Power (Tolerance: ±10%)	110W
	Color Temperature	5000K
	Lumen (Tolerance: -10%)	15,950 LM
	Efficacy (Tolerance: -3%)	145 LM/W
	CRI	>80
	Color Consistency	< 6 Steps (or < 6 SDCM)
	UGR	< 25 (X=4H, Y=8H; S/H=1; Reflectances: 70%/50%/20%)
	Diffuser Type	PC Lens
	Beam Angle (50%) (Tolerance: ±15%)	90 Degree @ Matte Lens
<b>ELECTRICAL</b>	Input Voltage and Frequency	120-277VAC, 50/60Hz
	PF (Tolerance: -3%)	≥0.9
	THD (Tolerance: +5%)	≤20%
	Flicker Percent	< 30%
	Driver Brand	Rugged Grade Lighting
	Driver Model	Rugged Grade Lighting Driver
	Driver Surge protection	L/N-PE: 2kV, L-N: 1kV
	Dimming	0-10V dimming standard
	Optional Accessory	AC/DC Motion Sensor, AC/DC PIR Sensor, 10KV/Surge protector
<b>MATERIALS</b>	LED Brand	Lumileds
	LED Type	SMD 2835
	LED QTY	440 PCS
	Housing	IRON
	Housing Color	White
	Waterproof Rating	DAMP (IP20)
<b>OTHERS</b>	Operating Temperature	Without Motion Sensor: -30°C TO 50°C
	Storage Temperature	-40°C TO 80°C
	Operating Humidity	20% - 90% RH
	Storage Humidity	10% - 95% RH
	Warranty	5 years warranty with 24/7 operating hours Luminaire lifetime

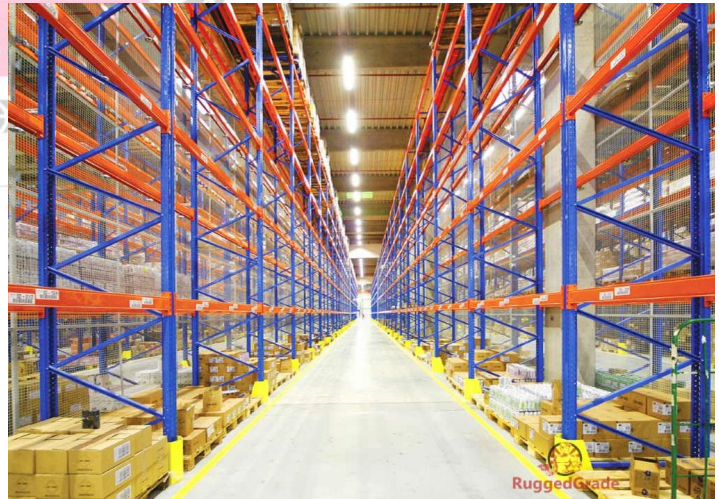
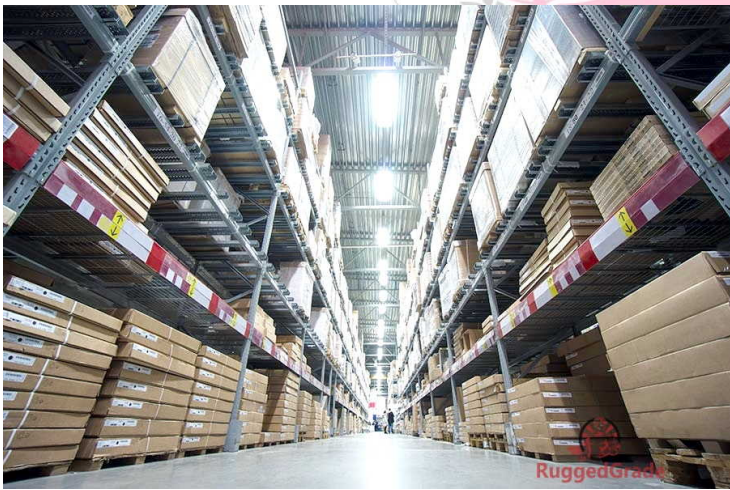
## PRODUCT MOUNTS & ACCESSORIES



# 110W ORION III | LED HIGH BAY LINEAR LIGHT



## PRODUCT IMAGES & ACTUAL INSTALLATIONS



Rugged Grade Lighting  
Industrial Grade Solutions



888-953-2476  
sales@ruggedgrade.com

## PHOTOMETRICS & DLC PRODUCT SPEC

Product ID: PLRMEK77MQGF ×



### RGL-ORION3-110WBMB1G1-ab[EM;Blank]50

**Manufacturer:** RuggedGrade  
**Brand:** RuggedGrade

PRODUCT OVERVIEW	PRODUCT INFORMATION
<p><b>Classification</b> Premium</p> <hr/> <p><b>Primary Use</b> High-Bay Luminaires for Commercial and Industrial Buildings</p> <hr/> <p><b>Reported Input Wattage</b> 109.17 W</p> <hr/> <p><b>Reported Light Output</b> 14842.4 lm</p> <hr/> <p><b>Reported CCT</b> 5000 K</p> <hr/> <p><b>Reported CRI (Ra)</b> 80</p> <hr/> <p><b>Product ID</b> PLRMEK77MQGF</p> <hr/> <p><b>DLC Family Code</b> <a href="#">EMWALK</a></p> <hr/> <p><b>Listing Status</b> Listed</p> <hr/> <p><b>Date Qualified</b> 2021-12-23</p>	<p><b>Qualified Product List</b> Solid State Lighting</p> <hr/> <p><b>Technical Requirements Version</b> 5.1</p> <hr/> <p><b>Product ID</b> PLRMEK77MQGF</p> <hr/> <p><b>Manufacturer</b> RuggedGrade</p> <hr/> <p><b>Brand</b> RuggedGrade</p> <hr/> <p><b>Model Number</b> RGL-ORION3-110WBMB1G1-ab[EM;Blank]50</p> <hr/> <p><b>Parent</b> No</p> <hr/> <p><b>Classification</b> Premium</p> <hr/> <p style="background-color: #4F81BD; color: white; text-align: right;"><b>PRODUCT CATEGORIZATION</b> <a href="#">VIEW DETAILS</a></p> <hr/> <p style="background-color: #4F81BD; color: white; text-align: right;"><b>PRODUCT CAPABILITIES</b> <a href="#">VIEW DETAILS</a></p> <hr/> <p style="background-color: #4F81BD; color: white;"><b>REPORTED PHOTOMETRIC PERFORMANCE</b></p> <hr/> <p><b>Reported Light Output</b> 14842.4 lm</p> <hr/> <p><b>Reported Efficacy (AC)</b> 135.95 lm/W</p> <hr/> <p><b>Reported CCT</b> 5000 K</p> <hr/> <p><b>Reported CRI (Ra)</b> 80</p> <hr/> <p><b>Reported R9</b> 9</p> <hr/> <p><b>Reported IES Rf</b> 84</p> <hr/> <p><b>Reported IES Rg</b> 95</p> <hr/> <p><b>Reported IES Rcs,h1</b> -12</p> <hr/> <p><b>Reported Default Light Output</b> 14842.4 lm</p>

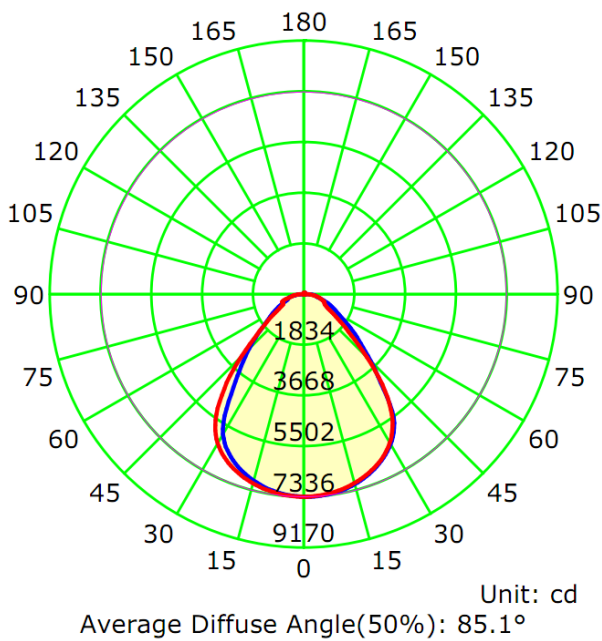


## Photometric Results

CIE Class: Direct  
 Measurement Flux: 14949.1 lm  
 Downward Ratio: 99%  
 Horizontal Diffuse Angle(50%): H83.5  
 Vertical Diffuse Angle(50%): V86.7  
 Luminaire Efficacy Rating (LER): 138.42  
 Max. Intensity: 7336.21 cd  
 S/MH(C0/C180): 1.22

Total Rated Lamp Lumens: 14949.1 lm  
 Efficiency: 100%  
 Upward Ratio: 1%  
 Central Intensity: 7330.97 cd  
 Pos of Max. Intensity: H22.5 V2  
 S/MH(C90/C270): 1.25

Luminous Intensity Distribution Curve



The Average Illuminance Effective Figure

Flux Out: 9557.17lm

Height	Avg./Nadir, E	Beam Angle:84.5°	Diameter / Area
2.0m	954.89/ 1832.74lx		3.57m / 10.01sq.m
3.0m	624.40/ 814.55lx		5.35m / 22.52sq.m
4.0m	438.72/ 458.19lx		7.14m / 40.03sq.m
5.0m	312.78/ 293.24lx		8.92m / 62.55sq.m
6.0m	238.10/ 203.64lx		10.71m / 90.08sq.m
7.0m	177.95/ 149.61lx		12.49m / 122.61sq.m
8.0m	134.68/ 114.55lx		14.28m / 160.14sq.m
9.0m	106.16/ 90.51lx		16.06m / 202.68sq.m
10.0m	84.20/ 73.31lx		17.85m / 250.22sq.m
11.0m	67.57/ 60.59lx		19.63m / 302.76sq.m



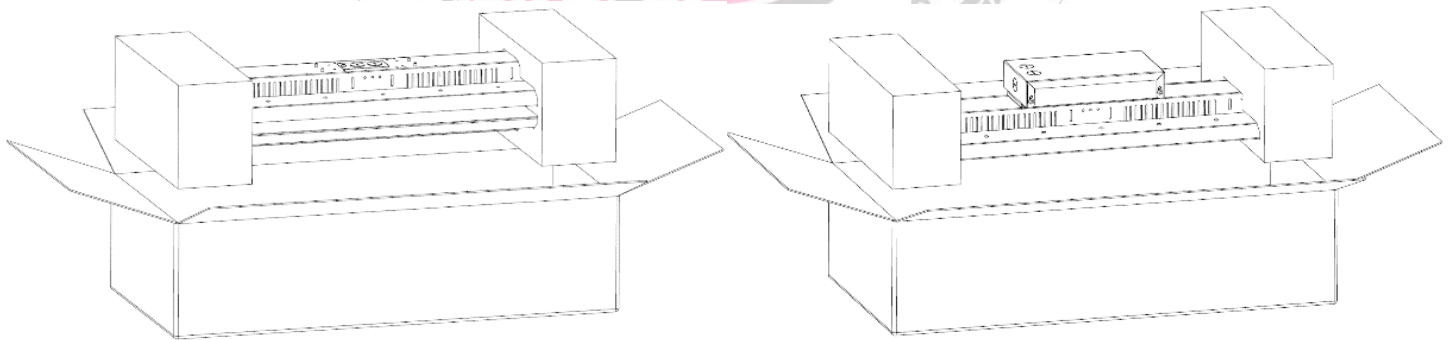
# 110W ORION III | LED HIGH BAY LINEAR LIGHT



## PRODUCT PACKAGING

	Carton Size	Qty / Carton	Net Weight / Carton	Gross Weight / Carton
Outer box	860*360*130 MM	1 PCS	3.4 KG/PC	4.6

\*Tolerance of Carton Size:  $\pm 15$  MM, Tolerance of Weight:  $\pm 10\%$ .





## PRODUCT WARNINGS

- ✚ Please turn off power before install or change assembly parts.
- ✚ The input voltage and lamps should be matched, after connecting the power line.
- ✚ Please make sure the wiring section is insulated.
- ✚ Professionals must install and disassemble the lamps.
- ✚ Surge is the number 1 cause of LED light failure. Outdoor lights must have surge at fixture, pole, and breaker.
- ✚ Surge is the number 1 cause of LED light failure. Indoor lights must have surge at fixture and breaker

## PRODUCT TROUBLESHOOTING

Issue	Check points
Light Flickers	Check all wiring for disconnections, shorts and burnt wiring and connections. Confirm steady input voltage to the light fixture, fluctuating input voltage will harm the LED driver and can lead to premature failure. Lights with photocells can have photocell tag from ambient light or light reflecting at the sensor. Simply cover the photocell completely and see if flickering continues while the photocell is covered. Call Tech Support for help if none of the above solves the issue.
Light does not work at all.	Check all wiring for disconnections, shorts and burnt wiring and connections. Confirm steady input voltage to the light fixture, fluctuating input voltage will harm the LED driver and can lead to premature failure. If input voltage is not in the voltage range of the fixture, you will need to find the source of your input voltage issue. Call Tech Support for help if none of the above solves the issue.

For more technical information, install questions, troubleshooting help or warranty claims, we have a dedicated US Tech and Customer Support Team to help solve any issues you have and can be reached by email or phone. If you need help with any of our products, we are here for you so that you are never in the dark!

# BETTER LIGHTS. BETTER SUPPORT.

