

# 220W ORION IV | LED HIGH BAY LINEAR LIGHT



## PRODUCT DESCRIPTION

Orion IV Series High Bay Linear Light is the latest in LED technology. Smaller, longer lasting and more efficient LED high bay lighting. 0-10v dimmability, top level DLC 5.1 Premium certification and UL listed for safety, with an Ultra-Efficient 145+ lumens per watt.



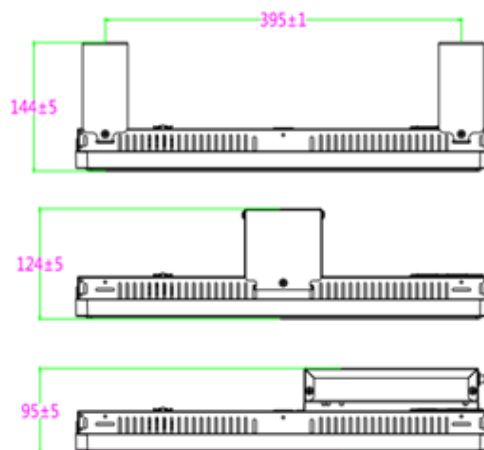
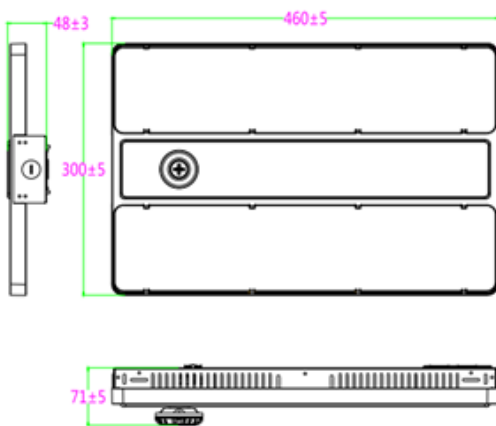
## DLC #:

RGL-ORION-4-TT-220W

## PRODUCT FEATURES & COMMON USE APPLICATIONS

- UL, cUL, certificate.
- Lumileds Chip, high CRI.
- Input voltage 120-277VAC .
- Wattage adjustable.
- Output constant current lever can be adjusted through output cable with 0-10V.
- No UV or IR in the beam.
- Easy to install and operate.
- Energy saving, long lifespan.
- Light is soft and uniform, safe to eyes.
- Instant start, NO flickering, NO humming.
- Green and eco-friendly without mercury.
- Warehouse, factory and workshops.
- Exhibition Hall and supermarkets, etc.

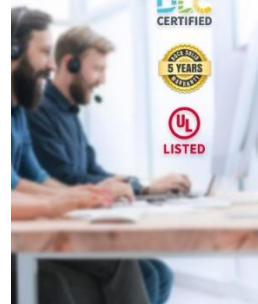
## PRODUCT DIMENSIONS



## LEGENDARY USA SUPPORT



US based phone and online customer support



Rugged Grade Lighting  
Industrial Grade Solutions



888-953-2476  
sales@ruggedgrade.com



## PRODUCT TECHNICAL SPECIFICATIONS

<b>OPTICAL</b>	Input Power (Tolerance: ±10%)	220W(Wattage selectable model: 220/200/180)
	Color Temperature	4000K/5000K
	Lumen (Tolerance: -10%)	29000 - 31,900 LM
	Efficacy (Tolerance: -3%)	135-145 LM/W
	CRI	>80
	Color Consistency	<7 Steps (or <7 SDCM)
	UGR	<28 (X=4H, Y=8H; S/H=1; Reflectances: 70%/50%/20%)
	Diffuser Type	PC Lens
	Beam Angle (50%) (Tolerance: ±15%)	90 Degree @ Matte Lens
<b>ELECTRICAL</b>	Input Voltage and Frequency	120-277VAC, 50/60Hz
	PF (Tolerance: -3%)	≥0.9
	THD (Tolerance: +5%)	≤20%
	Flicker Percent	<5%
	Driver Brand	Sosen
	Driver Model	SS-200NH-E260BH
	Driver Surge protection	L/N-PE: 6kV, L-N: 6kV
	Dimming	0-10V dimming standard
Optional Accessory	AC/DC Motion Sensor, AC/DC PIR Sensor, 10KV/Surge protector	
<b>MATERIALS</b>	LED Brand	Lumileds
	LED Type	SMD 2835
	LED QTY	756 PCS
	Housing	IRON
	Housing Color	White
	Waterproof Rating	DAMP (IP20)
<b>OTHERS</b>	Operating Temperature	Without Motion Sensor: -30°C TO 50°C
	Storage Temperature	-40°C TO 80°C
	Operating Humidity	20% - 90% RH
	Storage Humidity	10% - 95% RH
	Warranty	5 years warranty with 24/7 operating hours Luminaire lifetime

## PRODUCT MOUNTS & ACCESSORIES



## PRODUCT IMAGES & ACTUAL INSTALLATIONS



## PHOTOMETRICS & DLC PRODUCT SPEC

Product ID: S-QCM75F

X



### RGL-ORION-4-TT-220WBMB1A1-abdW40/50

Manufacturer: RuggedGrade  
Brand: RuggedGrade

#### PRODUCT OVERVIEW

Classification	Premium
Primary Use	High Bay Luminaires for Commercial and Industrial Buildings
Reported Input Wattage	216.9 W
Reported Light Output	30396 lm
Reported CCT	5000 K
Reported CRI (Ra)	84
Product ID	S-QCM75F
DLC Family Code	SLFAWZ
Listing Status	Listed
Date Qualified	2023-12-13

#### PRODUCT INFORMATION

Qualified Product List	Solid State Lighting
Technical Requirements Version	5.1
Product ID	S-QCM75F
Manufacturer	RuggedGrade
Brand	RuggedGrade
Model Number	RGL-ORION-4-TT-220WBMB1A1-abdW40/50
Parent	No
Classification	Premium

#### PRODUCT CATEGORIZATION

[VIEW DETAILS](#)

#### CONTROL FEATURES

[VIEW DETAILS](#)

#### REPORTED PHOTOMETRIC PERFORMANCE

Reported Light Output	30396 lm
Reported Efficacy (AC)	140.12 lm/W
Reported CCT	5000 K
Reported CRI (Ra)	84
Reported R9	12
Reported IES Rf	84
Reported IES Rg	94
Reported IES Rcs,h1	-13

#### REPORTED ELECTRICAL PERFORMANCE

Reported Input Wattage	216.9 W
Reported Total Harmonic Distortion	15 %
Reported Power Factor	0.9
Reported Minimum Input Wattage	55 W
Reported Maximum Input Wattage	212.3
Reported Default Input Wattage	212.3 W
Voltage Range	120-277 V

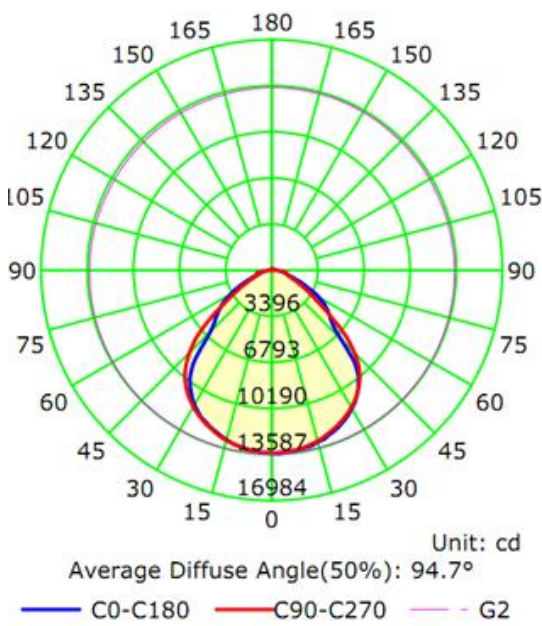




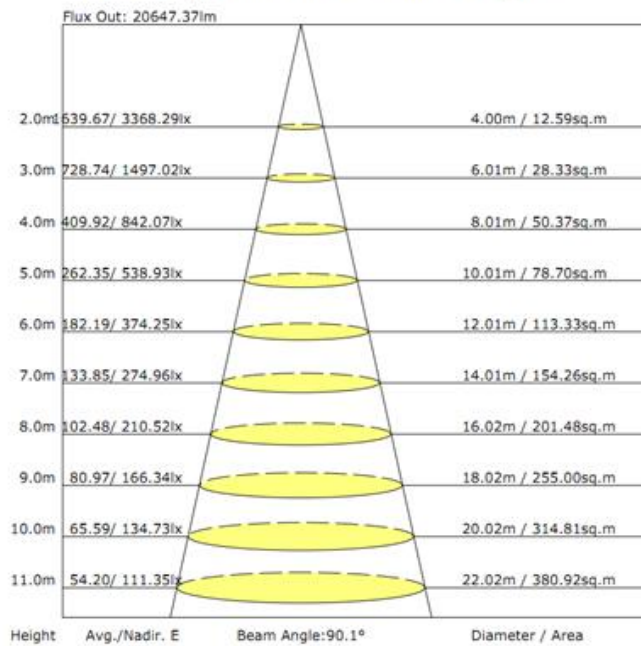
## Photometric Results

CIE Class: Direct	Total Rated Lamp Lumens: 31088.3 lm
Measurement Flux: 31088.3 lm	Efficiency: 100%
Downward Ratio: 99%	Upward Ratio: 1%
Horizontal Diffuse Angle(10%,50%): H142.9,H90.1	Central Intensity: 13473.18 cd
Vertical Diffuse Angle(10%,50%): V139.6,V99.3	Pos of Max. Intensity: H337.5 V2
Luminaire Efficacy Rating (LER): 140.43	S/MH(C90/C270): 1.28
Max. Intensity: 13587.92 cd	
S/MH(C0/C180): 1.27	

Luminous Intensity Distribution Curve



The Average Illuminance Effective Figure



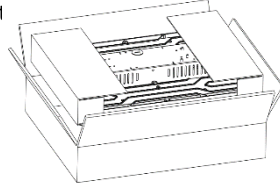
LEGENDARY USA SUPPORT



## PRODUCT PACKAGING

	Carton Size	Qty / Carton	Net Weight / Carton	Gross Weight / Carton
Outer box (No Sensor/ DC Sensor)	480*320*85 MM	1 PC	2.6KG/PC	3.4KG

\*Tolerance of Carton Size:  $\pm 15$  MM, Tolerance of Weight



## PRODUCT WARNINGS

- ⚡ Please turn off power before install or change assembly parts.
- ⚡ The input voltage and lamps should be matched, after connecting the power line.
- ⚡ Please make sure the wiring section is insulated.
- ⚡ Professionals must install and disassemble the lamps.
- ⚡ Surge is the number 1 cause of LED light failure. Outdoor lights must have surge at fixture, pole, and breaker.
- ⚡ Surge is the number 1 cause of LED light failure. Indoor lights must have surge at fixture and breaker

## PRODUCT TROUBLESHOOTING

Issue	Check points
Light Flickers	Check all wiring for disconnections, shorts and burnt wiring and connections. Confirm steady input voltage to the light fixture, fluctuating input voltage will harm the LED driver and can lead to premature failure. Lights with photocells can have photocell tag from ambient light or light reflecting at the sensor. Simply cover the photocell completely and see if flickering continues while the photocell is covered. Call Tech Support for help if none of the above solves the issue.
Light does not work at all.	Check all wiring for disconnections, shorts and burnt wiring and connections. Confirm steady input voltage to the light fixture, fluctuating input voltage will harm the LED driver and can lead to premature failure. If input voltage is not in the voltage range of the fixture, you will need to find the source of your input voltage issue. Call Tech Support for help if none of the above solves the issue.

For more technical information, install questions, troubleshooting help or warranty claims, we have a dedicated US Tech and Customer Support Team to help solve any issues you have and can be reached by email or phone. If you need help with any of our products, we are here for you so that you are never in the dark!

# BETTER LIGHTS. BETTER SUPPORT.

