

NAME: LED Corn Light

P/N: RG-TCLW-B-80WACA1Z-aaK

Note: 1. The Letter Z in P/N stands for Lamp base type, “-E” for E39 lamp base, “-EX” for EX39 lamp base.

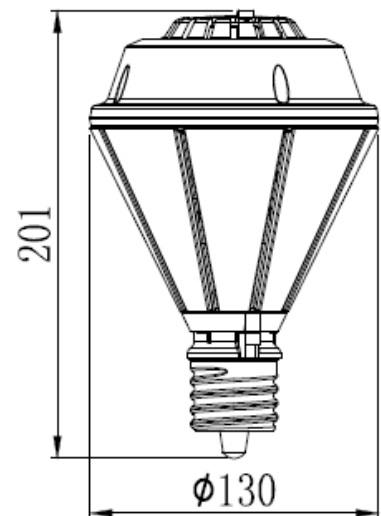
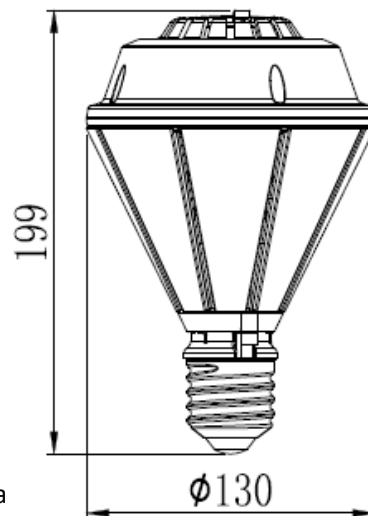
2. “aa” in P/N stands for CCT, eg 30,35,40,45,50,57.

Advantage:

- UL cUL
- E39/EX39 lamp base.
- Warm / Natural / Cool / Cold white.
- 360 degree lighting, high CRI.
- IP64 Waterproof Rating.
- Long lifespan and good heat dissipation, SUNON fan.
- Meet 5kV surge immunity level.
- Internal driver, input voltage AC100-277V.
- Long lifespan and good heat dissipation.
- Direct replacement for CFL and Metal Halide, Easy Installa

E39-B

EX39-B



Application:

- ◆ Replacement Lamps for Outdoor Pole/Arm-Mounted Decorative Luminaires (UL Type B)

Bulb is reversible to allow the base to be at the top or bottom. This way the light can be installed base up or base down and maximize light! Ideal for post top fixture or ceiling / high bay applications.



Product Specifications

Product name	LED Corn Light	
Part No	RG-TCLW-B-80WACA1-E-aaK (DLC Product ID: PLA5MGULPF33)	
Lamp Base	E39	EX39
Dimension	Φ130*199 MM	Φ130*201 MM

Technical Characteristic

Color temperature	3000K/3500K/4000K/4500K/5000K/5700K
CRI	>80
Lumen-In Luminaires	9500~9900 LM
Lumen Efficacy-In Luminaires	115~130LM/W
Input Power	80 W
Viewing Angle	360 degree
Input Voltage	AC100-277V 50/60Hz
PF	≥0.9
Equivalent	250 Watt Metal Halide or HPS / 160W CFL / 750 watt Incandescent
Waterproof Rating	IP64

Materials

LED Type	SMD2835
LED QTY	336 PCS
Housing	PC + AL
Housing color	White
Operating Temperature	-20°C TO 45°C
Operating Humidity	20%-70% RH
Storage Temperature	-30°C TO 80°C
Storage Humidity	10%-75% RH
Application	Indoor / Outdoor
Safety Certification	UL cUL
Warranty Time	5 Years

Light Distribution Testing Parameters

Remark: The testing data comes from the product in luminaires.

Luminaire Property

Luminaire Manufacturer:

Voltage: 120.1 V

Power: 79.6 W

Current: 0.6811 A

Power Factor: 0.9739

Photometric Results

IES Classification: Type I

Total Rated Lamp Lumens: 9261.46 lm

Efficiency: 100%

Upward Ratio: 24%

Central Intensity: 302.91 cd

Pos of Max. Intensity: H45 V67

Longitudinal Classification: Short

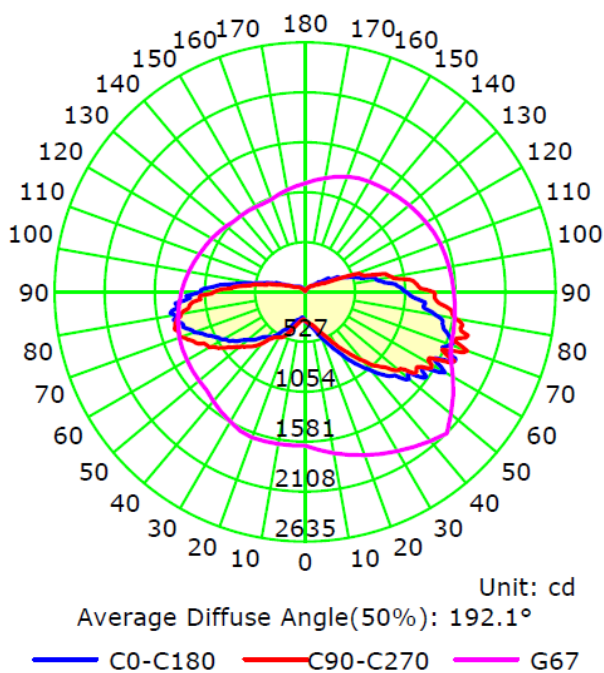
Measurement Flux: 9261.46 lm

Downward Ratio: 76%

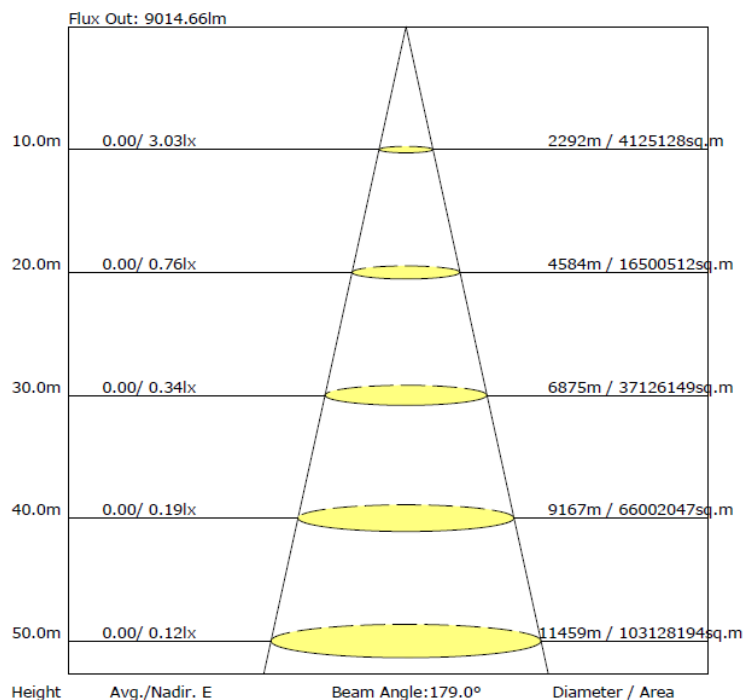
Luminaire Efficacy Rating (LER): 116.35

Max. Intensity: 2108.26 cd

Luminous Intensity Distribution Curve

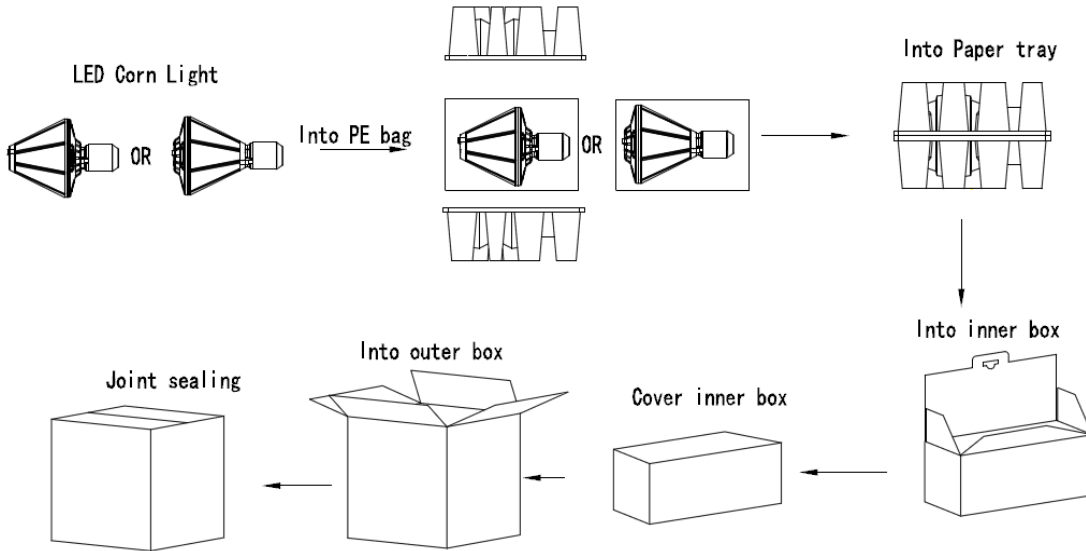


The Average Illuminance Effective Figure



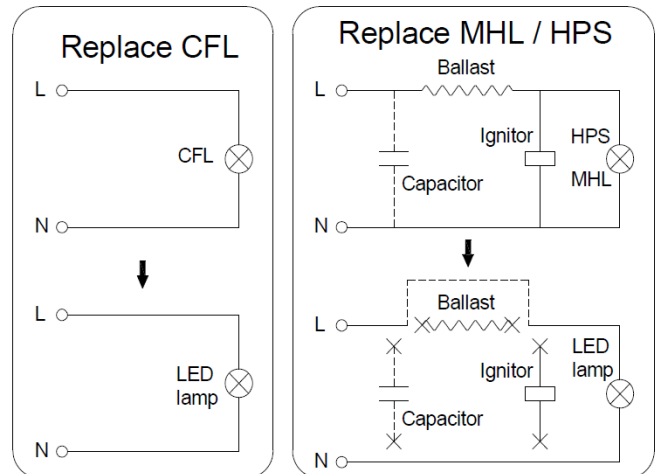
Package

	Size	Qty / Carton	Net Weight / Carton	Gross Weight / Carton
Inner box	240*180*180 MM	1 PC	0.66 KG	0.84 KG
Outer box	560*255*385 MM	6 PCS	4.0 KG	6.1 KG



Notice For User

- ◆ Please turn off power before install or change assembly parts.
- ◆ The input voltage and lamps should be matched, after connecting the power line, please make sure the wiring section is insulated.
- ◆ Make sure to remove or bypass the ballast in the fixtures before install the lamps.
- ◆ Suitable for damp locations. Do not use with dimmers.
- ◆ Suitable for use in enclosed luminaires, min. lamp compartment dimensions: 400*200*200 MM.
- ◆ No-professionals, must not install and disassemble the lamps.



Trouble Shootings

Troubles	Check points
Flickering of the light	Turn off the power and turn on again in 3 minutes. If same phenomena occur, then call agencies.
Out of working	Please check the connection.