



The Durado Blade Series is a thinner and smaller version of our top seller Durado III Series. These wall packs provide safety and security by illuminating evenly the perimeter around buildings, warehouses, pathways, doorways, other commercial facilities, etc. With TunableTech by RuggedGrade you have the ability to choose wattage depending on your needs.



P/N:RGL-DURADOBLADE-80WHBSPSA

1-ab50

Note:

RGL= Rugged Grade Lighting;

SWP08=Product series, LED Semi-cut off Wall Pack;

M=Product size, M=medium;

80=Rating Power;

N=driver manufacturer,H=Rugged Grade Lighting;

X=LEDmanufacturer, B=lumileds;

Y=Cover type, SP=stripe PC;

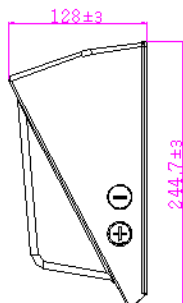
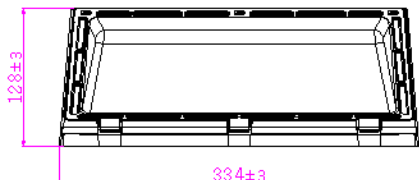
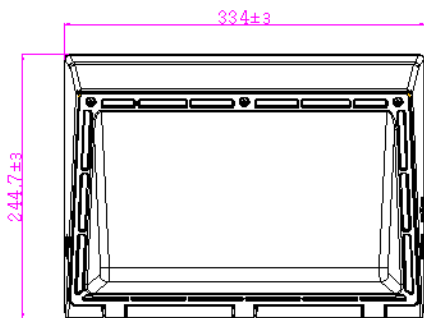
Z=LED module type, S=single CCT;

A=Input voltage, 120-277VAC;

1=Version number;

“a” can be any two letters to represent lamp colors;

## DIMENSIONS



## ADVANTAGE

- UL, cUL, certificate
- Lumileds 2835, high CRI.
- Input voltage 120-277VAC .
- Output constant current lever can be adjusted through output cable with 0-10V.
- No UV or IR in the beam.
- Wattage adjustable feature enabled with wattage dial device (sold separately).
- Easy to install and operate.
- Energy saving, long lifespan.
- Light is soft and uniform, safe to eyes.
- Instant start, NO flickering, NO humming.

## APPLICATION

- Entrance lighting, courtyard lighting;
- Industrial lighting, Outdoor landscape lighting;
- Building, The hotel;
- Wall lighting area and so on.

## SPECIFICATIONS

<b>OPTICAL</b>	Input Power (Tolerance : ±10%)	80W				
	Color Temperature	4000K	4500K	5000K	5700K	6500K
	Lumen (Tolerance : -10%)	7860LM	7920LM	7860LM	7860LM	7860LM
	Efficacy (Tolerance : -3%)	131LM/W	132LM/W	131LM/W	131LM/W	131LM/W
	CRI	>80				
	Color Consistency	<6 Steps (or <6 SDCM)				
	BUG	B2-U2-G2				
	Diffuser Type	PC				
	Beam Angle (50%) (Tolerance : ±15%)	139*90 Degree				
<b>ELECTRICAL</b>	Input Voltage and Frequency	120-277VAC 50/60Hz				
	PF (Tolerance : -3%)	≥0.9				
	THD (Tolerance : +5%)	≤20%				
	Flicker Percent	<30%				
	Driver Brand	Rugged Grade Lighting				
	Driver Model	Rugged Grade Driver				
	Driver Surge protection	L-N: 4kV , L&N-E: 4kV				
	Dimming	0-10V dimming standard				
	Sensor Type	Daylight Sensor				
	Optional Accessory	Surge-protective Device, Photocell				
<b>MATERIALS</b>	LED Brand	LUMILEDS				
	LED Type	SMD 2835				
	LED QTY	176 PCS				
	Housing	Die-cast aluminum				
	Housing Color	All Color				
	Waterproof Rating	WET (IP65)				
<b>OTHERS</b>	Operating Temperature	-40°C TO 45°C				
	Storage Temperature	-40°C TO 80°C				
	Operating Humidity	20% - 90% RH				
	Storage Humidity	10% - 95% RH				
	Warranty	5 years warranty with 24/7 operating hours Luminaire lifetime at 25°C.				



## LIGHT DISTRIBUTION TESTING PARAMETERS

### Luminaire Property

Luminaire Manufacturer:  
 Luminaire Category:  
 Lamp Catalog:  
 Number of Lamps:  
 Luminous Length (mm):  
 Luminous Height (mm):  
 Current: 0.680 A  
 Power Factor: 0.992

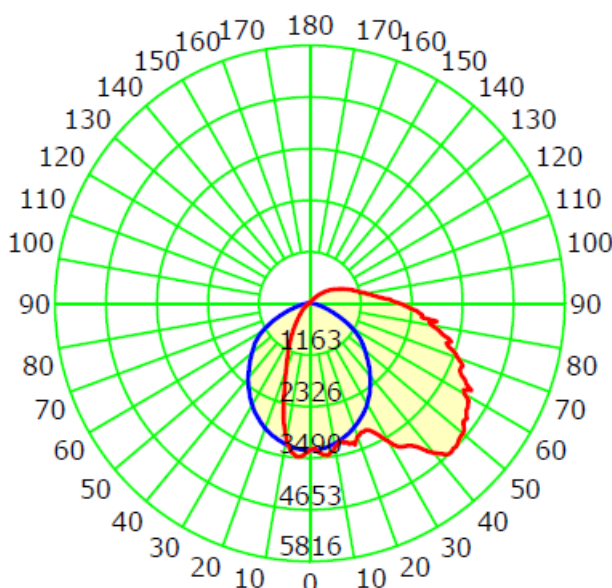
Luminaire Description:  
 Lamp Description:  
 Lumens per Lamp:  
 Luminous Width (mm):  
 Voltage: 120.0 V  
 Power: 80.97 W

### Photometric Results

IES Classification: Type IV  
 Total Rated Lamp Lumens: 11330.7 lm  
 Efficiency: 100%  
 Upward Ratio: 12%  
 C0r0 Intensity: 3306.35 cd  
 Pos of Max. Intensity: H90 V44  
 Beam Angle(C0/C180,C90/C270,C45/C225,C135/315): 101.3, 101.9, 107.4, 108.8

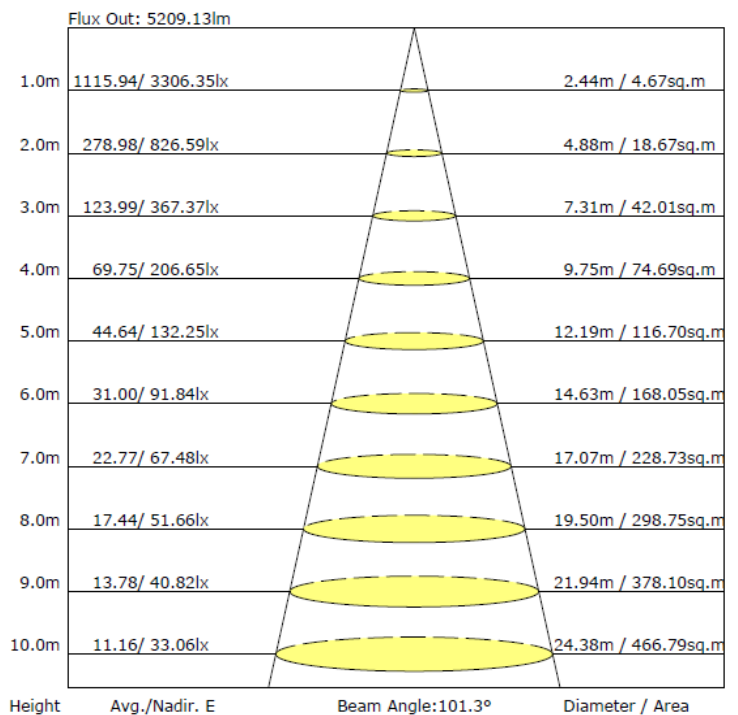
Longitudinal Classification: Very Short  
 Measurement Flux: 11330.7 lm  
 Downward Ratio: 88%  
 Luminaire Efficacy Rating (LER): 139.99  
 Max. Intensity: 4653.43 cd

Luminous Intensity Distribution Curve



Unit: cd  
 Average Diffuse Angle(50%): 101.6°  
 — C0-C180 — C90-C270

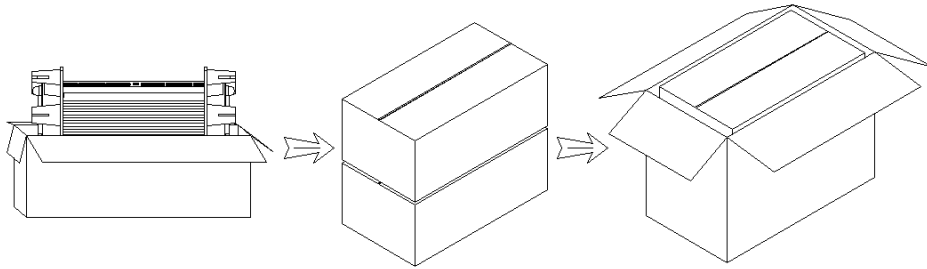
The Average Illuminance Effective Figure



**PACKAGE**

	Size	Qty / Carton	Net Weight / Carton	Gross Weight / Carton
Inner box	372*175*295MM	1 PC	2.1KG	2.7KG
Outer box	387*365*315MM	2 PC	4.2KG	5.9KG

Tolerance of Carton Size:  $\pm 15$  MM, Tolerance of Weight:  $\pm 10\%$ .



Product ID: S-H3ZWXB



## RGL-DURADOBLADE-80WBSPA1-ab50

Manufacturer: RuggedGrade

Brand: RuggedGrade

### PRODUCT OVERVIEW

Classification	Premium
Primary Use	Outdoor Non-Cutoff and Semi-Cutoff Wall-Mounted Area Luminaires
Reported Input Wattage	81.1 W
Reported Light Output	11386 lm
Reported CCT	5000 K
Reported CRI (Ra)	83
Product ID	S-H3ZWXB
DLC Family Code	<a href="#">SLFACJ</a>
Listing Status	Listed
Date Qualified	2022-08-30

### PRODUCT INFORMATION

Qualified Product List	Solid State Lighting
Technical Requirements Version	5.1
Product ID	S-H3ZWXB
Manufacturer	RuggedGrade
Brand	RuggedGrade
Model Number	RGL-DURADOBLADE-80WBSPA1-ab50
Parent	No
Classification	Premium

### PRODUCT CATEGORIZATION

[VIEW DETAILS](#)

### PRODUCT CAPABILITIES

[VIEW DETAILS](#)

### REPORTED PHOTOMETRIC PERFORMANCE

Reported Light Output	11386 lm
Reported Efficacy (AC)	140.38 lm/W
Reported CCT	5000 K
Reported CRI (Ra)	83
Reported R9	8
Reported IES Rf	84
Reported IES Rg	97
Reported IES Rcs,h1	-12

## NOTICE FOR USER

- Please turn off power before install or change assembly parts.
- The input voltage and lamps should be matched, after connecting the power line, Please make sure the wiring section is insulated.
- No-professionals, must not install and disassemble the lamps.

## TROUBLESHOOTINGS

Issue	Check points
Light Flickers	Check all wiring for disconnections, shorts and burnt wiring and connections. Confirm steady input voltage to the light fixture, fluctuating input voltage will harm the LED driver and can lead to premature failure. Lights with photocells can have photocell tag from ambient light or light reflecting back at the sensor. Simply cover the photocell completely and see if flickering continues while the photocell is covered. Call Tech Support for help if none of the above solves the issue.
Light does not work at all.	Check all wiring for disconnections, shorts and burnt wiring and connections. Confirm steady input voltage to the light fixture, fluctuating input voltage will harm the LED driver and can lead to premature failure. If input voltage is not in the voltage range of the fixture, you will need to find the source of your input voltage issue. Call Tech Support for help if none of the above solves the issue.

**For more technical information, install questions, troubleshooting help or warranty claims, we have a dedicated US Tech and Customer Support Team to help solve any issues you have and can be reached by email or phone. If you need help with any of our products, we are here for you so that you are never in the dark!**

## BETTER LIGHTS. BETTER SUPPORT.





**CERTIFIED**



**LISTED**



LEGENDARY RUGGEDGRADE QUALITY  
LEGENDARY USA SUPPORT



US based  
phone and online  
customer support



ROCK SOLID  
**5 YEARS**  
WARRANTY