

P/N: RGL-CLH01B-75WXYA1-acK

Note:

AST= Company name

CLH01B = Product series, LED Area Lamp

075W = Rating Power

X = LED manufacturer, Can be any letter,

“J” for Bridgelux 3030

Y= diffuser types: “1” for 90\*150degree type3 and “5 “ for 150degree type5

A1 = Version number

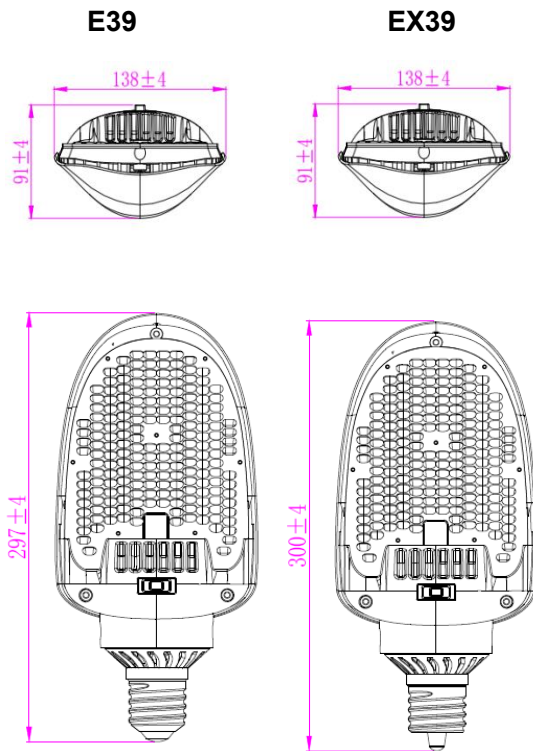
a= the lamp base type, the “a” represent the lamp base type, can be “E” for E39, “EX” for EX39

ck= represents CCT, can be two digital.

27K=2700K, 30K=3000K, 35K=3500K, 40K=4000K, 45K=4500K, 50K=5000K, 57K=5700K, 65K=6500K.



## DIMENSIONS



## ADVANTAGE

- UL cUL certificate
- E39 EX39 lamp base.
- Big heat sink, With fan
- Internal driver, input voltage AC120-277V 0-10V dimming .
- Wattage adjustable options are available, segmented wattage adjustable
- Meet 4KV surge immunity level
- Long lifespan and good heat dissipation
- 90\*150 degree or 150 degree are optional
- Direct replacement for Metal Halide, easy installation
- Fits many different fixtures to replace traditional lamps
- Operating ambient temperature can up to 50 degree
- Rotatable to make sure the luminous direction of led area lamp is consistent with the outside fixture

## NOTICE FOR USER

- Please turn off power before install or change assembly parts
- The input voltage and lamps should be matched, after connecting the power line, Please make sure the wiring section is insulated
- No-professionals, must not install and disassemble the lamps
- Suitable for damp locations. Do not use with dimmers
- Make sure to remove or bypass the ballast in the fixtures before install the lamps
- Suitable for use in enclosed luminaires, min. lamp compartment dimensions: 420\*230\*230MM

## APPLICATION

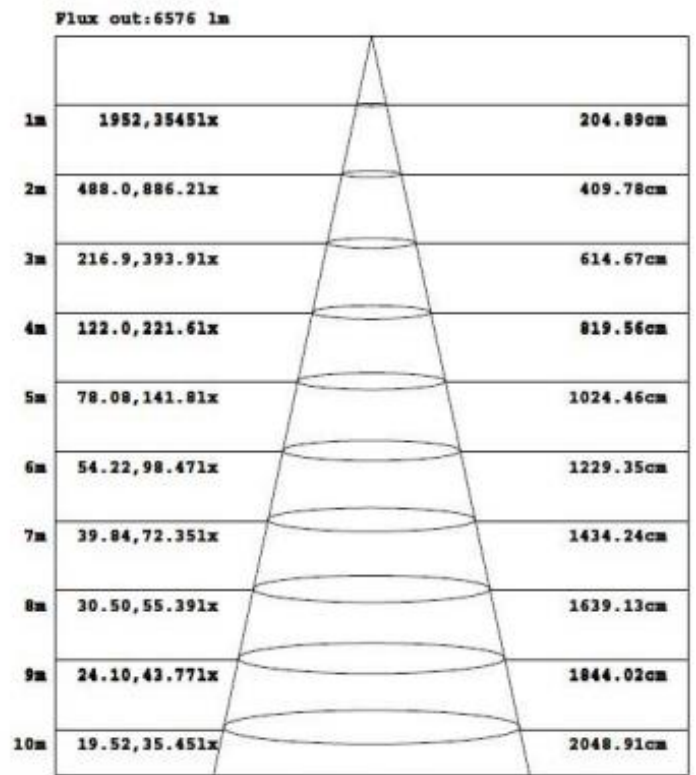
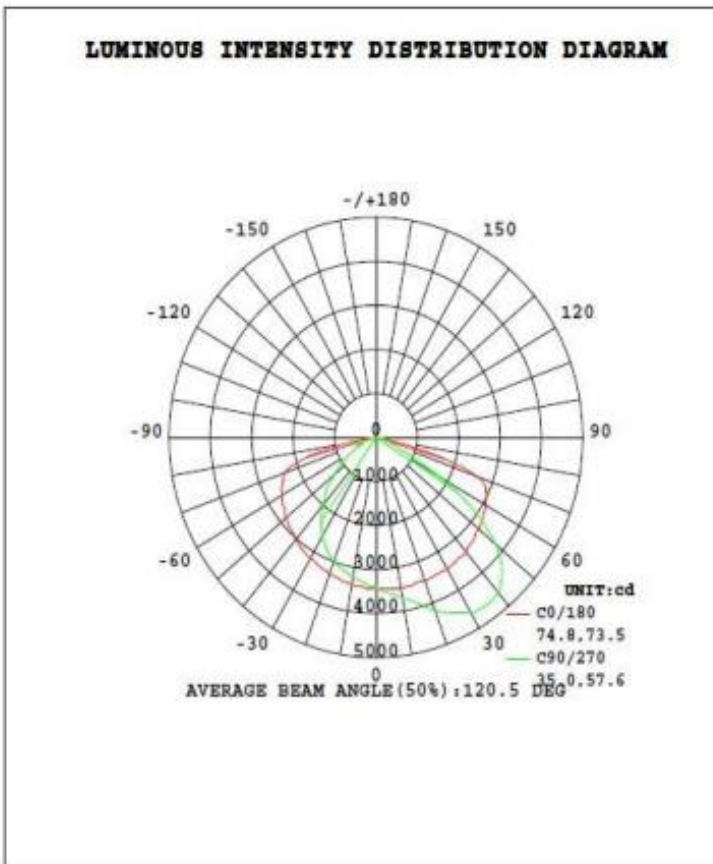
- LED Retrofit Kit make it simple to replace: parking lot lighting, shoebox lighting, street lighting, flood lighting, wall pack lighting, and canopy lighting etc.

## SPECIFICATIONS

<b>OPTICAL</b>	Input Power (Tolerance : $\pm 10\%$ )	75W(54W63W/75W via switch)		
	Color Temperature	3000K/3500K	4000K/4500K/5000K/5700K	6500K
	Lumen (Tolerance : -10%)	9750LM	10500LM	10125LM
	Efficacy (Tolerance : -3%)	130LM/W	140LM/W	135LM/W
	CRI	>70		
	Color Consistency	<6 Steps (or <6 SDCM)		
	Diffuser Type	90*150 degree or 150 degree		
	Beam Angle (50%) (Tolerance : $\pm 25\%$ )	Degree		
<b>ELECTRICAL</b>	Input Voltage and Frequency	120-277VAC 50/60Hz		
	PF (Tolerance : -3%)	$\geq 0.9$		
	THD (Tolerance : +5%)	$\leq 20\%$		
	Flicker Percent	< 100%		
	Driver Surge protection	L-N: 2.5kV		
	Dimmable	0-10V dimming standard (through switch on the lamp)		
	Sensor Type	NO		
	Optional Accessory	NO		
	Equivalent	150W CFL, 250W MHL/HPS/HID		
<b>MATERIALS</b>	LED Brand	Bridgelux		
	LED Type	SMD3030		
	LED QTY	140PCS		
	Housing	PC + Aluminum		
	Housing Color	Any colour		
	Waterproof Rating	DAMP (IP64)		
<b>OTHERS</b>	Operating Temperature	-40°C TO 50°C		
	Storage Temperature	-40°C TO 80°C		
	Operating Humidity	20%-70% RH		
	Storage Humidity	10%-75% RH		
	Warranty Time	5 years warranty with 24/7 operating hours lamp lifetime at 25°C and in installed fixture.		

Remark: The testing data comes from the product in luminaires.

DATA OF LAMP		PHOTOMETRIC DATA Eff: 113.44 lm/W			
MODEL		I <sub>max</sub> (cd)	4765	S/MH (C0/180)	1.40
NOMINAL POWER (W)	115	LOR (%)	100.0	S/MH (C90/270)	1.14
RATED VOLTAGE (V)	120	TOTAL FLUX (lm)	12819	η UP, DN (C0-180)	0.1, 63.9
NOMINAL FLUX (lm)	12819.3	CIE CLASS	DIRECT	η UP, DN (C180-360)	0.1, 35.9
LAMPS INSIDE	1	η up (%)	0.2	CIBSE SHR NOM	1.50
TEST VOLTAGE (V)	120.0	η down (%)	99.8	CIBSE SHR MAX	1.55



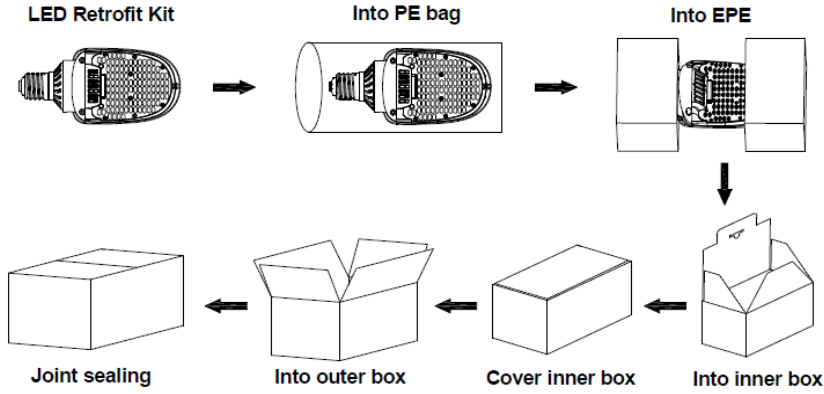
Height      Havg, Emax      Angle: 91.38deg      Diameter

Note: The Curves indicate the illuminated area and the average illumination when the luminaire is at different distance.

## PACKAGE

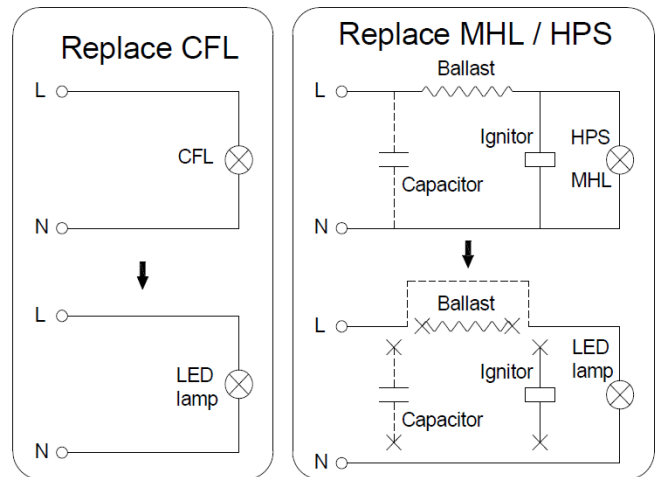
	Size	Qty / Carton	Net Weight / Carton	Gross Weight / Carton
Inner box	340*160*110 MM	1PCS	1.28KG	1.52KG
Outer box	660*360*245 MM	8PCS	10.2KG	13.1 KG

Tolerance of Outer Carton Size:  $\pm 15$  MM, Tolerance of Weight:  $\pm 10\%$ .



## Notice For User

- ◆ Please turn off power before install or change assembly parts.
- ◆ The input voltage and lamps should be matched, after connecting the power line, please make sure the wiring section is insulated.
- ◆ Make sure to remove or bypass the ballast in the fixtures before install the lamps.
- ◆ Suitable for damp locations. Do not use with dimmers.
- ◆ Suitable for use in enclosed luminaires, min. lamp compartment dimensions: 400\*200\*200 MM.
- ◆ No-professionals, must not install and disassemble the lamps.



## Trouble Shootings

Troubles	Check points
Flickering of the light	Turn off the power and turn on again in 3 minutes. If same phenomena occur, then call agencies.
Out of working	Please check the connection.