

PRODUCT DESCRIPTION

Vontair Series presents an old American Barn Style LED Light which is an all-times favorite. Completely merging simplicity and functionality to your outdoor lighting needs. With all new tunable settings and a built-in photocell for automatic on/off. This silver beauty operates efficiently across a wide voltage range (100-277V), ensuring robust and versatile performance.

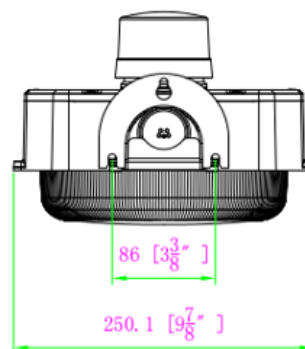
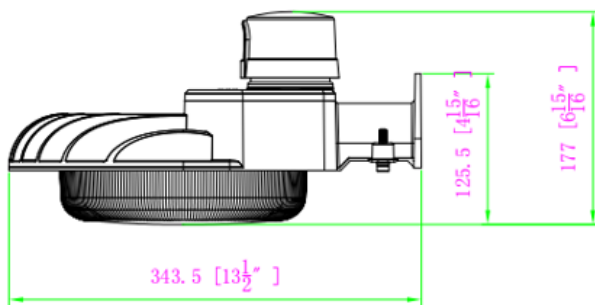


DLC #: RGL-VONTAIR-60W

PRODUCT FEATURES & COMMON USE APPLICATIONS

- UL cUL Premium certificate.
- Bridgelux Chip, high CRI
- IP65 driver, input voltage 120-277VAC.
- No UV or IR in the beam.
- Easy to install and operate.
- Energy saving, long lifespan.
- Light is soft and uniform, safe to eyes.
- Instant start, NO flickering, NO humming.
- Green and eco-friendly without mercury.
- Outdoor basketball court, tennis court.
- Badminton court, the football field.
- The school playground, stadium.
- Community leisure entertainment plaza,
- Warehouse, factory and workshops ;
- Highway toll station ;
- Meeting room, exhibition hall ;
- Gymnasium and supermarkets, etc.

PRODUCT DIMENSIONS



LEGENDARY USA SUPPORT



US based phone and online customer support

DLC CERTIFIED

5 YEARS WARRANTY

UL LISTED





PRODUCT TECHNICAL SPECIFICATIONS

OPTICAL	Input Power (Tolerance : ±10%)	60/40/29 Watts(Wattage Selectable)		
	Color Temperature (Color Tunable)	3000K	4000K	5000K
	Lumen(Tolerance: ±10%)	8400 LM	9060 LM	8640 LM
	Efficacy(Tolerance : ±3%)	140 LM/W	151 LM/W	144 LM/W
	CRI	>80		
	Color Consistency	<7 Steps (or <7 SDCM)		
	Distribution Pattern	TYPE V		
	BUG	B3-U3-G1		
	Beam Angle (50%) (Tolerance : ±15%)	(140°*140°)		
ELECTRICAL	Input Voltage and Frequency	120-277VAC, 50/60Hz		
	PF (Tolerance : -3%)	≥0.9		
	THD (Tolerance : +5%)	≤20%		
	Flicker Percent	<35%		
	Driver Brand	RuggedGrade X Driver		
	Driver Model	RGX-HB-HLA60-46		
	Driver Surge protection	L/N-PE: 2kV, L-N: 2kV		
	Dimming	0-10V dimming standard		
	Sensor Type	Exterior Photocell / Integral Sensor Receptacle		
	Optional Accessory	Photocell / Surge protector		
	MATERIALS	LED Brand	Lumileds	
LED Type		SMD2835		
LED QTY		(3000K)128PCS+(5000K)128PCS		
Housing		Die-cast aluminum		
Housing Color		Silver, Bronze, or Customized		
EPA		.42 ft²		
Waterproof Rating		WET (IP65)		
OTHERS	Operating Temperature	-40°C TO 50°C		
	Storage Temperature	-40°C TO 80°C		
	Operating Humidity	20% - 90% RH		
	Storage Humidity	10% - 95% RH		
	Warranty	5 years		

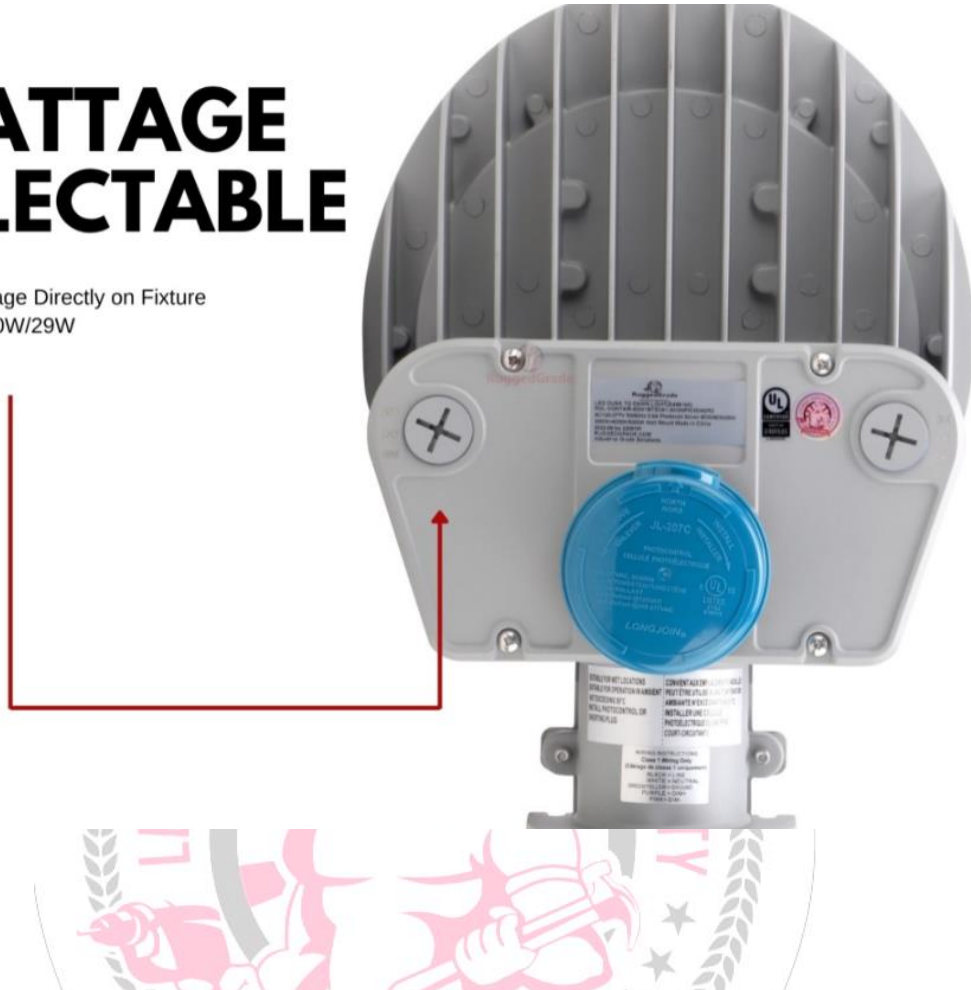
PRODUCT MOUNTS & ACCESSORIES



PRODUCT IMAGES & ACTUAL INSTALLATIONS

WATTAGE SELECTABLE

Adjust Wattage Directly on Fixture from 60W/40W/29W



VONTAIR SERIES | LED BARN STYLE LIGHT



Available Wattages in this Series 60W/120W

145+

Ultra-efficient 145+ Lumens per Watt



Dusk-to-Dawn Lighting



True Color Shine with it's 80+CRI



IP65 Waerproof Rating



0-10V Dimmable



PHOTOMETRICS

Luminaire Property

Luminaire Manufacturer:
 Luminaire Category:
 Lamp Catalog:
 Number of Lamps:
 Luminous Length (mm):
 Luminous Height (mm):
 Current: 0.491 A
 Power Factor: 0.996

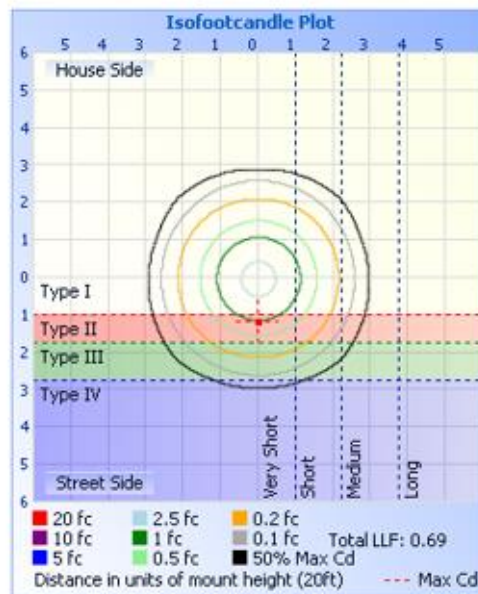
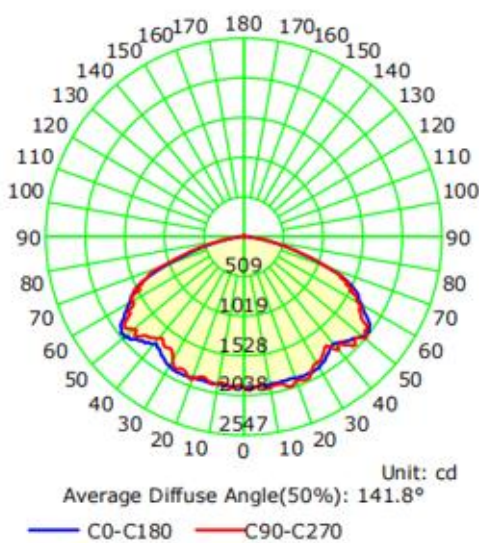
Luminaire Description:
 Lamp Description:
 Lumens per Lamp:
 Luminous Width (mm):
 Voltage: 120.0 V
 Power: 58.74 W

Photometric Results

IES Classification: Type VS
 Total Rated Lamp Lumens: 8361.4 lm
 Efficiency: 100%
 Upward Ratio: 1%
 C0r0 Intensity: 1936.25 cd
 Pos of Max. Intensity: H90 V51

Longitudinal Classification: Very Short
 Measurement Flux: 8361.4 lm
 Downward Ratio: 99%
 Luminaire Efficacy Rating (LER): 142.40
 Max. Intensity: 2038.39 cd

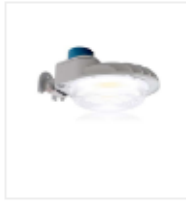
Luminous Intensity Distribution Curve



DLC PRODUCT SPEC

Product ID: S-19G5Z0

X



RGL-VONTAIR-60W1BT5DA1-a[10SP;20SP;blank]cW[AM;YM]f

Manufacturer: RuggedGrade
Brand: RuggedGrade



PRODUCT OVERVIEW

Model Number	RGL VONTAIR-60W1BT5DA1-a[10SP;20SP;blank]cW[AM;YM]f
Classification	Premium
Primary Use	Outdoor Full-Cutoff Wall-Mounted Area Luminaires
Reported Input Wattage	58.74 W
Reported Light Output	8361.4 lm
Reported CCT	3000 K
Reported CRI (Ra)	80
Product ID	S-19G5Z0
DLC Family Code	SLFAJF
Listing Status	Listed
Date Qualified	2023-03-06

PRODUCT INFORMATION

Qualified Product List	Solid State Lighting
Technical Requirements Version	5.1
Product ID	S-19G5Z0
Manufacturer	RuggedGrade
Brand	RuggedGrade
Model Number	RGL VONTAIR 60W1BT5DA1-a[10SP;20SP;blank]cW[AM;YM]f
Parent	No
Classification	Premium

PRODUCT CATEGORIZATION

[VIEW DETAILS](#)

CONTROL FEATURES

[VIEW DETAILS](#)

REPORTED PHOTOMETRIC PERFORMANCE

Reported Light Output	8361.4 lm
Reported Efficacy (AC)	142.35 lm/W
Reported CCT	3000 K
Reported CRI (Ra)	80
Reported R9	6
Reported IES Rf	84
Reported IES Rg	98
Reported IES Rcs, h1	-11

REPORTED ELECTRICAL PERFORMANCE

Reported Input Wattage	58.74 W
Reported Total Harmonic Distortion	15 %
Reported Power Factor	0.9
Reported Minimum Input Wattage	30 W
Reported Maximum Input Wattage	58.74
Reported Default Input Wattage	58.74 W
Voltage Range	120-277 V

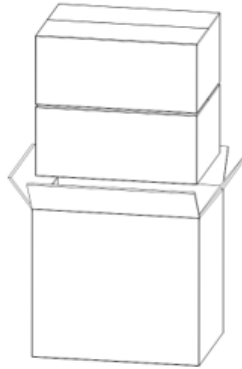
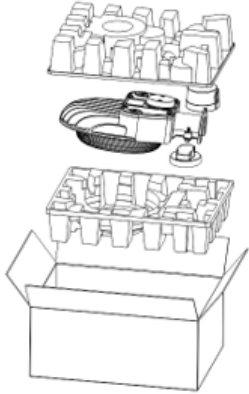


PRODUCT PACKAGING

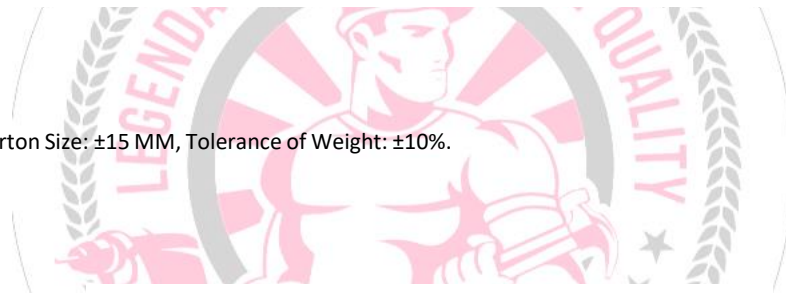
Lamp Net Weight: 2.5 KG / PC

	Size	Qty/ Carton	Weight / Carton
Inner box	405 x 315 x 168mm	1	3.1 KG
Outer box	420 x 330 x 355mm	2	6.9 KG

Tolerance of Carton Size: ± 15 MM, Tolerance of Weight: $\pm 10\%$.



*Tolerance of Carton Size: ± 15 MM, Tolerance of Weight: $\pm 10\%$.



PRODUCT WARNINGS

- ⚡ Please turn off power before install or change assembly parts.
- ⚡ The input voltage and lamps should be matched, after connecting the power line.
- ⚡ Please make sure the wiring section is insulated.
- ⚡ Professionals must install and disassemble the lamps.
- ⚡ Surge is the number 1 cause of LED light failure. Outdoor lights must have surge at fixture, pole, and breaker.
- ⚡ Surge is the number 1 cause of LED light failure. Indoor lights must have surge at fixture and breaker.

PRODUCT TROUBLESHOOTING

Issue	Check points
Light Flickers	Check all wiring for disconnections, shorts and burnt wiring and connections. Confirm steady input voltage to the light fixture, fluctuating input voltage will harm the LED driver and can lead to premature failure. Lights with photocells can have photocell tag from ambient light or light reflecting at the sensor. Simply cover the photocell completely and see if flickering continues while the photocell is covered. Call Tech Support for help if none of the above solves the issue.
Light does not work at all.	Check all wiring for disconnections, shorts and burnt wiring and connections. Confirm steady input voltage to the light fixture, fluctuating input voltage will harm the LED driver and can lead to premature failure. If input voltage is not in the voltage range of the fixture, you will need to find the source of your input voltage issue. Call Tech Support for help if none of the above solves the issue.

For more technical information, install questions, troubleshooting help or warranty claims, we have a dedicated US Tech and Customer Support Team to help solve any issues you have and can be reached by email or phone. If you need help with any of our products, we are here for you so that you are never in the dark!

**BETTER LIGHTS.
BETTER SUPPORT.**

