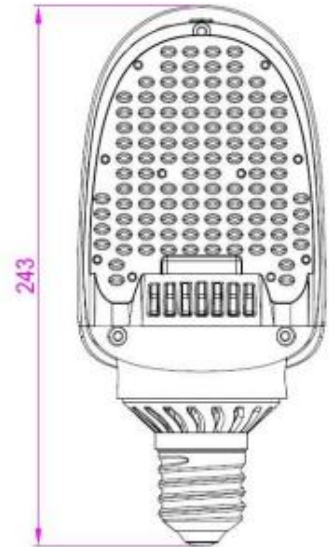
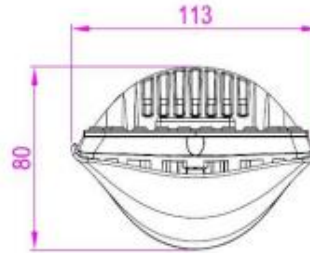




LED Corn Light Bulb – 54 watt
SKU 33-173 (5000K), 33-174 (4000K)

**54 Watt
One Direction Bulb**

9.5 inches
x
4.5 inches
x
3 inches



Advantage

- UL, CUL, I
- PHILIPS LUMILEDS chip, high CRI.
- 90*150 degree, TYPE III.
- Internal driver, input voltage AC100-277V.
- E39 base standard 、 EX39 lamp base. (EX39 is custom order)
- Lamp Base: 270 degree rotated. Easy Rotatable Base
- Single SUNON fan.
- New style and high efficient wide-range input.
- Long lifespan and good heat dissipation.
- Direct replacement for Metal Halide, easy Installation.
- Fits many different fixtures to replace traditional lamps.

Application

Replacement Lamps for Outdoor Pole/Arm-mounted Area and Roadway Luminaires(Type B).

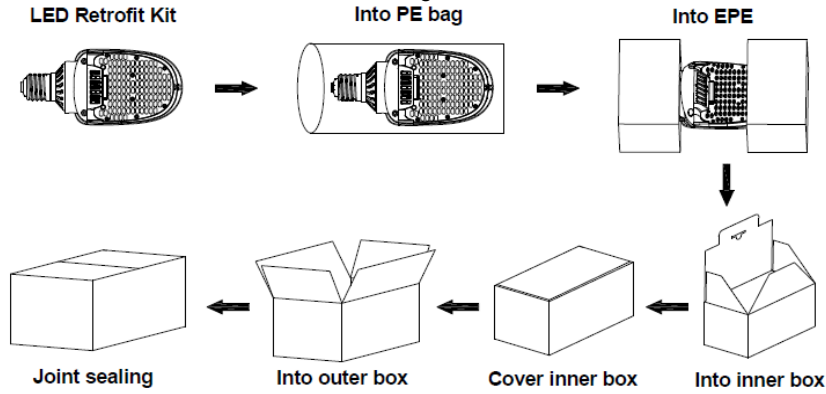
SPECIFICATIONS

OPTICAL	Input Power (Tolerance : $\pm 10\%$)	54W(36W/45W/54W via switch)		
	Color Temperature	3000K/3500K	4000K/4500K/5000K/5700K	6500K
	Lumen (Tolerance : -10%)	7290LM	7830LM	7560LM
	Efficacy (Tolerance : -3%)	135LM/W	145LM/W	140LM/W
	CRI	>70		
	Color Consistency	<6 Steps (or <6 SDCM)		
	Diffuser Type	90*150 degree or 150 degree		
	Beam Angle (50%) (Tolerance : $\pm 25\%$)	Degree		
ELECTRICAL	Input Voltage and Frequency	120-277VAC 50/60Hz		
	PF (Tolerance : -3%)	≥ 0.9		
	THD (Tolerance : +5%)	$\leq 20\%$		
	Flicker Percent	<100%		
	Driver Surge protection	L-N: 2.5kV		
	Dimmable	0-10V dimming standard (through switch on the lamp)		
	Sensor Type	NO		
	Optional Accessory	NO		
	Equivalent	120W CFL, 175W MHL/HPS/HID		
MATERIALS	LED Brand	Bridgelux		
	LED Type	SMD3030		
	LED QTY	112PCS		
	Housing	PC + Aluminum		
	Housing Color	Any colour		
	Waterproof Rating	DAMP (IP64)		
OTHERS	Operating Temperature	-40°C TO 50°C		
	Storage Temperature	-40°C TO 80°C		
	Operating Humidity	20%-70% RH		
	Storage Humidity	10%-75% RH		
	Warranty Time	5 years warranty with 24/7 operating hours lamp lifetime at 25°C and in installed fixture.		

PACKAGE

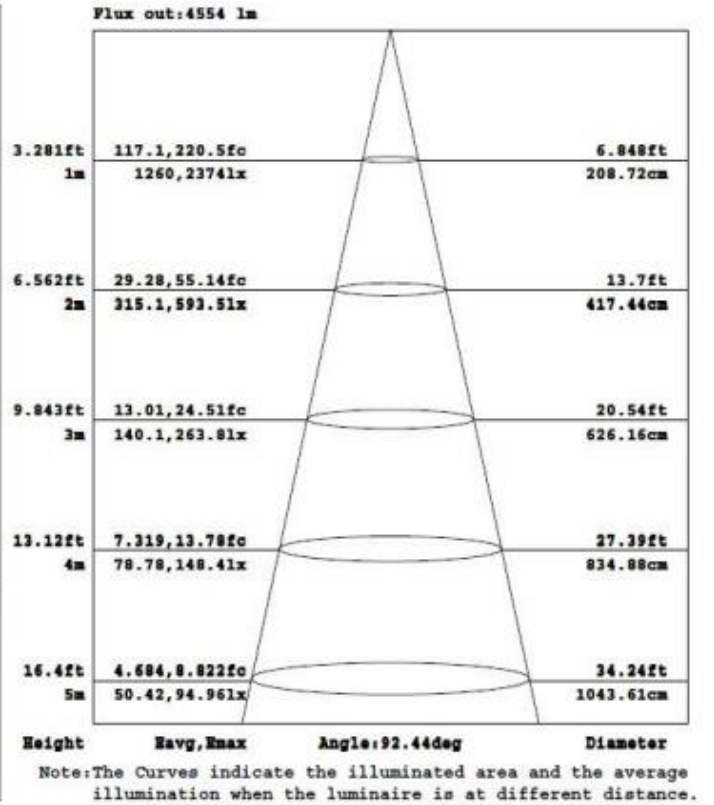
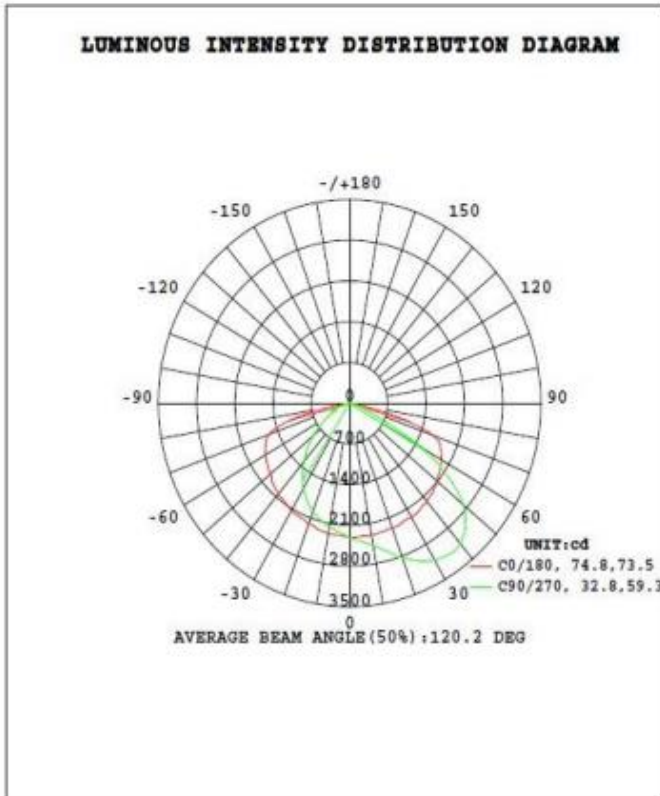
	Size	Qty / Carton	Net Weight / Carton	Gross Weight / Carton
Inner box	340*160*110 MM	1PCS	1.23KG	1.46 KG
Outer box	660*360*245 MM	8PCS	9.8 KG	12.7 KG

Tolerance of Outer Carton Size: ± 15 MM, Tolerance of Weight: $\pm 10\%$.



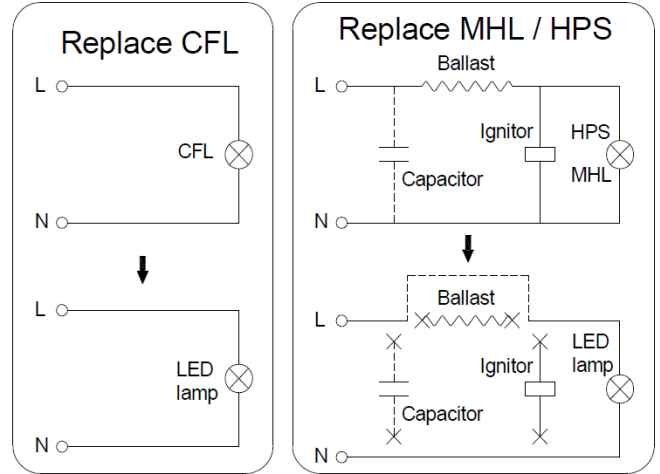
Remark: The testing data comes from the product in luminaires.

DATA OF LAMP		PHOTOMETRIC DATA			
MODEL		Imax (cd)	3203	S/MH(C0/180)	1.38
NOMINAL POWER (W)	75	LOR (%)	100.0	S/MH(C90/270)	1.11
RATED VOLTAGE (V)	120	TOTAL FLUX (lm)	8615.4	η UP, DN(C0-180)	0.1, 64.7
NOMINAL FLUX (lm)	8615.43	CIE CLASS	DIRECT	η UP, DN(C180-360)	0.1, 35.1
LAMPS INSIDE	1	η up (%)	0.2	CIBSE SHR NOM	1.50
TEST VOLTAGE (V)	120.0	η down (%)	99.8	CIBSE SHR MAX	1.55



Notice For User

- ◆ Please turn off power before install or change assembly parts.
- ◆ The input voltage and lamps should be matched, after connecting the power line, please make sure the wiring section is insulated.
- ◆ Make sure to remove or bypass the ballast in the fixtures before install the lamps.
- ◆ Suitable for damp locations. Do not use with dimmers.
- ◆ Suitable for use in enclosed luminaires, min. lamp compartment dimensions: 400*200*200 MM.
- ◆ No-professionals, must not install and disassemble the lamps.



Trouble Shootings

Troubles	Check points
Flickering of the light	Turn off the power and turn on again in 3 minutes. If same phenomena occur, then call agencies.
Out of working	Please check the connection.

