

PRODUCT DESCRIPTION

THE CEILING LIGHT IS THE NEXT STEP IN CEILING LIGHTING. WITH ITS NEW SLEEK DESIGN AND FULLY TUNABLE WATTAGE OUTPUT THIS LIGHT IS LIKE SOMETHING STRAIGHT OUT OF THE FUTURE! NO NEED TO REWIRE DIMMER SWITCHES WITH THE TRIAC COMPATIBLE LED DRIVERS MAKE THIS THE EASY OPTION INSTALLERS ARE LOOKING FOR TO HAVE A FAST, SIMPLE INSTALL.

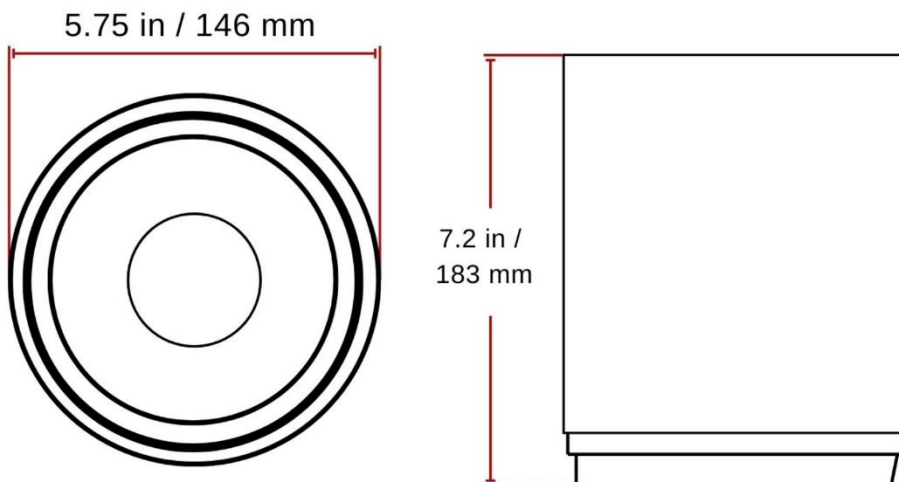


RGL-ZELARA-35W

PRODUCT FEATURES & COMMON USE APPLICATIONS

- ✓ Lumileds Chip, high CRI.
- ✓ Input voltage 120-277Vac
- ✓ No UV or IR in the beam
- ✓ Easy to install and operate
- ✓ Energy saving, long lifespan
- ✓ Instant start, NO flickering, NO humming
- ✓ Green and eco-friendly without mercury
- ✓ Output constant current lever can be adjusted through output cable with 0-10V.
- ✓ Entrance lighting, Courtyard Lighting
- ✓ Industrial Lighting, Outdoor landscaping light
- ✓ Building, The Hotel.
- ✓ Office Area ETC.

PRODUCT DIMENSIONS



LEGENDARY USA SUPPORT



US based
phone and online
customer support

DLC
CERTIFIED

5 YEARS
WARRANTY

UL
LISTED





PRODUCT TECHNICAL SPECIFICATIONS

OPTICAL	Input Power (Tolerance: $\pm 10\%$)	35W/28W/21W			
	Color Temperature	2700k	3000K	4000K	5700K
	Lumen (Tolerance: -10%)	2350LM	2400LM	2660 LM	2570 LM
	Efficacy (Tolerance: -3%)	67LM/W	69 LM/W	77LM/W	73 LM/W
	CRI	>80			
	Color Consistency	< 7 Steps (or < 7 SDCM)			
	UGR	< 28 (X=4H, Y=8H; S/H=1; Reflectances: 70%/50%/20%)			
	Beam Angle (50%) (Tolerance: $\pm 15\%$)	60 Degree			
Input Voltage and Frequency	120-347VAC, 50/60Hz				
ELECTRICAL	PF (Tolerance: -3%)	≥ 0.9			
	THD (Tolerance: +5%)	$\leq 20\%$			
	Flicker Percent	<30%			
	Driver Brand	WeledPower			
	Driver Model	WP-HHA-040B			
	Driver Surge protection	L/N-PE: 4kV, L-N: 2kV			
	Dimming	0-10V dimming standard			
	Optional Accessory	Hoisting fittings			
MATERIALS	LED Brand	HONGLI			
	LED Type	COB			
	LED QTY	1 PCS			
	Housing	Die-cast aluminum			
	Housing Color	Black, White, or Customized			
	Waterproof Rating	WET (IP40)			
OTHERS	Operating Temperature	-40°C TO 50°C			
	Storage Temperature	-40°C TO 85°C			
	Operating Humidity	10% - 90% RH			
	Storage Humidity	5% - 95% RH			
Warranty	5 years warranty with 24/7 operating hours Luminaire lifetime at 25°C.				

PRODUCT ACCESORIES



PRODUCT IMAGES & ACTUAL INSTALLATIONS



PHOTOMETRICS

Luminaire Property

Luminaire Manufacturer:
Voltage: 120.8 V
Power: 35.06 W

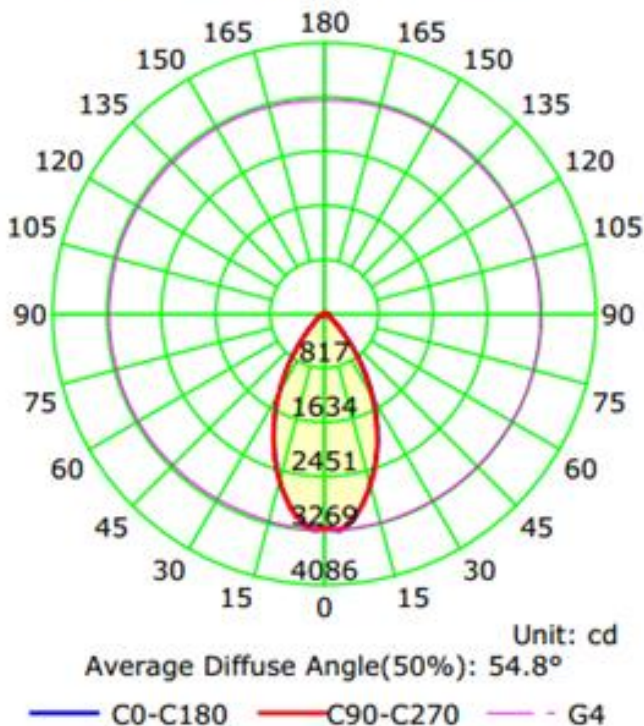
Current: 0.293 A
Power Factor: 0.991

Photometric Results

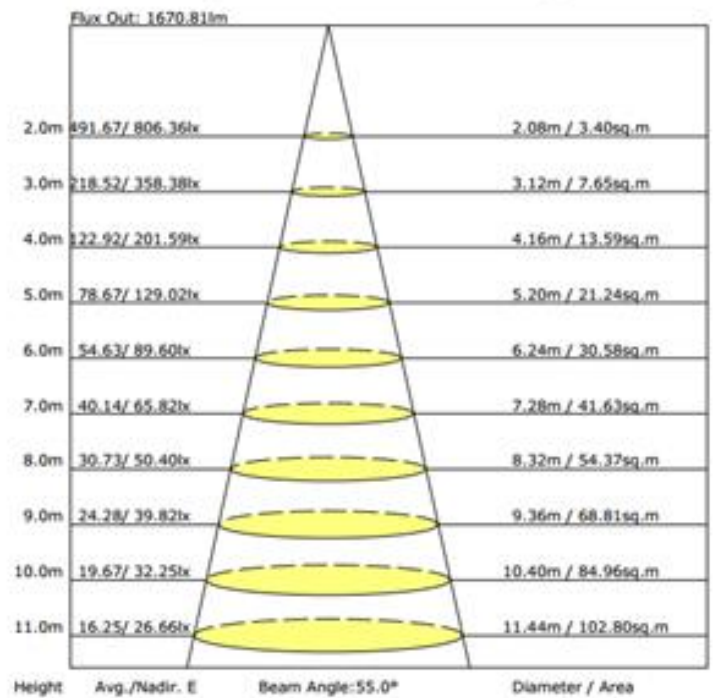
CIE Class: Direct
Measurement Flux: 3017 lm
Downward Ratio: 99%
Horizontal Diffuse Angle(10%,50%): H92.6,H55.1
Vertical Diffuse Angle(10%,50%): V91.4,V54.7
Luminaire Efficacy Rating (LER): 86.10
Max. Intensity: 3269.3 cd
S/MH(C0/C180): 0.83

Total Rated Lamp Lumens: 3017.0 lm
Efficiency: 100%
Upward Ratio: 1%
Central Intensity: 3225.42 cd
Pos of Max. Intensity: H0 V4
S/MH(C90/C270): 0.83

Luminous Intensity Distribution Curve



The Average Illuminance Effective Figure



PRODUCT PACKAGING

Luminaire Type	Carton Size	Qty / Carton	Net Weight / Carton	Gross Weight / Carton
	Outer box:330*330*210mm [12.99*12.99*8.27 inch]	4PCS	6.8KG[14.98 LBS]	7.5KG[16.53 LBS]
	Inner box:190*155*155mm [7.48*6.1*6.1 inch]	1PCS	1.6KG[3.53 LBS]	1.7KG[3.75 LBS]

*Tolerance of Carton Size: ± 15 MM, Tolerance of Weight: $\pm 10\%$.



PRODUCT WARNINGS

- ⚡ Please turn off power before install or change assembly parts.
- ⚡ The input voltage and lamps should be matched, after connecting the power line.
- ⚡ Please make sure the wiring section is insulated.
- ⚡ Professionals must install and disassemble the lamps.
- ⚡ Surge is the number 1 cause of LED light failure. Outdoor lights must have surge at fixture, pole, and breaker.
- ⚡ Surge is the number 1 cause of LED light failure. Indoor lights must have surge at fixture and breaker.

PRODUCT TROUBLESHOOTING

Issue	Check points
Light Flickers	Check all wiring for disconnections, shorts and burnt wiring and connections. Confirm steady input voltage to the light fixture, fluctuating input voltage will harm the LED driver and can lead to premature failure. Lights with photocells can have photocell tag from ambient light or light reflecting at the sensor. Simply cover the photocell completely and see if flickering continues while the photocell is covered. Call Tech Support for help if none of the above solves the issue.
Light does not work at all.	Check all wiring for disconnections, shorts and burnt wiring and connections. Confirm steady input voltage to the light fixture, fluctuating input voltage will harm the LED driver and can lead to premature failure. If input voltage is not in the voltage range of the fixture, you will need to find the source of your input voltage issue. Call Tech Support for help if none of the above solves the issue.

For more technical information, install questions, troubleshooting help or warranty claims, we have a dedicated US Tech and Customer Support Team to help solve any issues you have and can be reached by email or phone. If you need help with any of our products, we are here for you so that you are never in the dark!

BETTER LIGHTS. BETTER SUPPORT.

