

40W TUCANA II | LED CUT OFF WALL PACK LIGHT



PRODUCT DESCRIPTION

The Tucana II Series uses High-Efficiency LEDs with up to 135 Lumens to Watt – Replaces 125-watt Metal Halide/HPS – 150,000 Hour LEDs – DLC 5.1 Premium – 0-10V Dimmable.



DLC #:

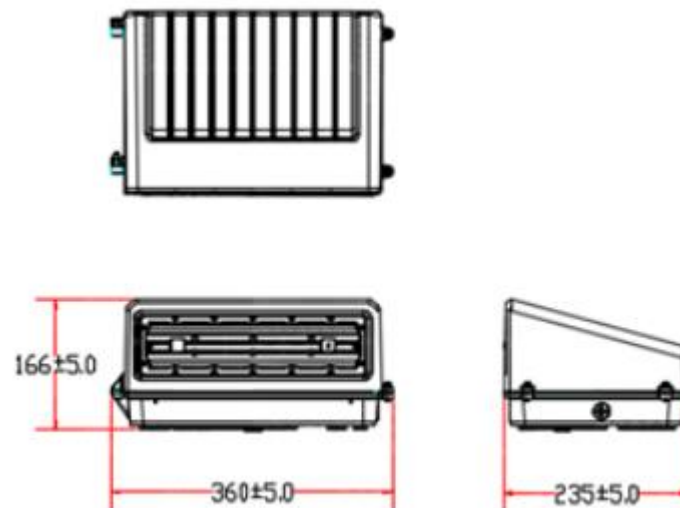
RGL-TUCANA-2-40D5BY



PRODUCT FEATURES & COMMON USE APPLICATIONS

- UL, cUL, and DLC 5.1 certificate
- Lumileds 2835, high CRI.
- Input voltage 120-277VAC .
- Output constant current level can be adjusted throughoutput cable with 0-10V.
- No UV or IR in the beam.
- Wattage adjustable feature enabled with wattage dial device (sold separately).
- Easy to install and operate.
- Energy saving, long lifespan.
- Light is soft and uniform, safe to eyes.
- Instant start, NO flickering, NO humming.
- Entrance lighting, courtyard lighting;
- Industrial lighting, Outdoor landscape lighting;
- Building, The hotel;
- Wall lighting area and so on.

PRODUCT DIMENSIONS



Rugged Grade Lighting
Industrial Grade Solutions



LEGENDARY USA SUPPORT



US based
phone and online
customer support



888-953-2476
sales@ruggedgrade.com



PRODUCT TECHNICAL SPECIFICATIONS

OPTICAL	Input Power (Tolerance : ±10%)	40W(single CCT) 40W(adjustable CCT)	
	Color Temperature	5000K	
	Lumen (Tolerance : -10%)	5600LM	
	Efficacy (Tolerance : -3%)	135LM/W	
	CRI	>80	
	Color Consistency	<6 Steps (or <6 SDCM)	<7 Steps (or <7 SDCM)
	BUG	B2-U2-G1	B2-U0-G2
	Distribution Pattern	Type III	
	Diffuser Type	PC Lens	
Beam Angle (50%) (Tolerance :	100 Degree		
ELECTRICAL	Input Voltage and Frequency	120-277VAC, 50/60Hz	
	PF (Tolerance : -3%)	≥0.9	
	THD (Tolerance : +5%)	≤20%	
	Flicker Percent	<60%	
	Driver Brand	Rugged Grade Lighting	
	Driver Model	Rugged Grade Lighting Driver	
	Driver Surge protection	L-N: 6kV, L-PE:6KV, N-PE:6KV	
	Dimming	0-10V dimming standard	
Optional Accessory	Motion Sensor, Surge-protective Device		
MATERIALS	LED Brand	Lumileds	Seoul
	LED Type	SMD2835	SMD3030
	LED QTY	96PCS	40*2PCS
	Housing	Die-cast aluminum	
	Housing Color	All Color	
	Waterproof Rating	WET (IP65)	
OTHERS	Operating Temperature	-40°C TO 50°C	
	Storage Temperature	10% - 90% RH	
	Operating Humidity	-40% - 90% RH	
	Storage Humidity	10% - 95% RH	
	Warranty	5 years warranty with 24/7 operating hours Luminaire lifetime	

PRODUCT MOUNTS & ACCESSORIES



PRODUCT IMAGES & ACTUAL INSTALLATIONS





PHOTOMETRICS & DLC PRODUCT SPEC

Luminaire Manufacturer:
Luminaire Category:
Lamp Catalog:
Number of Lamps:
Luminous Length (mm):
Luminous Height (mm):
Current: 0.324 A
Power Factor: 0.987

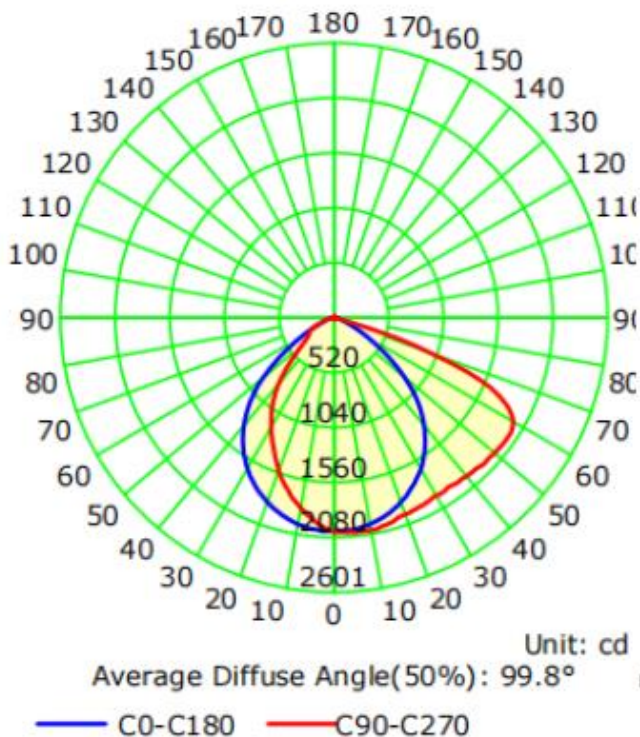
Luminaire Description:
Lamp Description:
Lumens per Lamp:
Luminous Width (mm):
Voltage: 120.0 V
Power: 38.44 W

Photometric Results

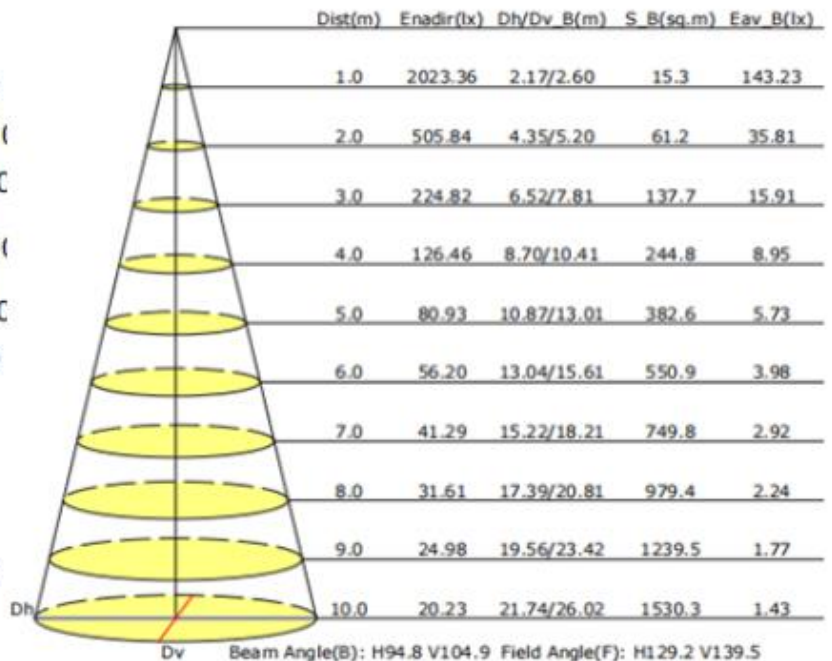
IES Classification: Type IV
Total Rated Lamp Lumens: 5225.5 lm
Efficiency: 100%
Upward Ratio: 0%
C0r0 Intensity: 2023.36 cd
Pos of Max. Intensity: H135 V10

Longitudinal Classification: Very Short
Measurement Flux: 5225.5 lm
Downward Ratio: 100%
Luminaire Efficacy Rating (LER): 135.99
Max. Intensity: 2080.92 cd

Luminous Intensity Distribution Curve



Illuminance at a Distance



Product ID: PLOZO8DXB9F5



RGL-TUCANA-2-40D4BYT3SA1-a[P;blank][M;R;blank][S;blank]50[A;blank][EM;blank]

Manufacturer: RuggedGrade
Brand: RuggedGrade

PRODUCT OVERVIEW

Model Number	RGL-TUCANA-2-40D4BYT3SA1-a[P;blank][M;R;blank][S;blank]50[A;blank][EM;blank]
Classification	Premium
Primary Use	Outdoor Full-Cutoff Wall-Mounted Area Luminaires
Reported Input Wattage	38.59 W
Reported Light Output	5355.5 lm
Reported CCT	5000 K
Reported CRI (Ra)	82
Product ID	PLOZO8DXB9F5
DLC Family Code	EMWAEX
Listing Status	Listed
Date Qualified	2021-08-06

PRODUCT INFORMATION

Qualified Product List	Solid State Lighting
Technical Requirements Version	5.1
Product ID	PLOZO8DXB9F5
Manufacturer	RuggedGrade
Brand	RuggedGrade
Model Number	RGL-TUCANA-2-40D4BYT3SA1-a[P;blank][M;R;blank][S;blank]50[A;blank][EM;blank]
Parent	No

PRODUCT CATEGORIZATION

[VIEW DETAILS](#)

CONTROL FEATURES

[VIEW DETAILS](#)

REPORTED PHOTOMETRIC PERFORMANCE

Reported Light Output	5355.5 lm
Reported Efficacy (AC)	138.8 lm/W
Reported CCT	5000 K
Reported CRI (Ra)	82
Reported R9	3
Reported IES Rf	84
Reported IES Rg	97
Reported IES Rcs,h1	-12

REPORTED ELECTRICAL PERFORMANCE

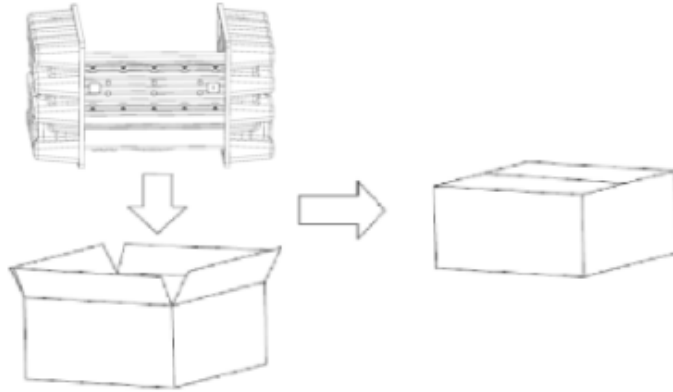
Reported Input Wattage	38.59 W
Reported Total Harmonic Distortion	15 %
Reported Power Factor	0.9
Reported Default Input Wattage	38.59 W
Voltage Range	120-277 V



PRODUCT PACKAGING

Bracket Type	Carton Size	Qty / Carton	Net Weight / Carton	Gross Weight / Carton
Outer box	400*300*230 MM	1 PC	3.1 KG	4.0KG

Tolerance of Carton Size: ± 15 MM, Tolerance of Weight: $\pm 10\%$.



PRODUCT WARNINGS

- ⚡ Please turn off power before install or change assembly parts.
- ⚡ The input voltage and lamps should be matched, after connecting the power line.
- ⚡ Please make sure the wiring section is insulated.
- ⚡ Professionals must install and disassemble the lamps.
- ⚡ Surge is the number 1 cause of LED light failure. Outdoor lights must have surge at fixture, pole, and breaker.
- ⚡ Surge is the number 1 cause of LED light failure. Indoor lights must have surge at fixture and breaker.

PRODUCT TROUBLESHOOTING

Issue	Check points
Light Flickers	Check all wiring for disconnections, shorts and burnt wiring and connections. Confirm steady input voltage to the light fixture, fluctuating input voltage will harm the LED driver and can lead to premature failure. Lights with photocells can have photocell tag from ambient light or light reflecting at the sensor. Simply cover the photocell completely and see if flickering continues while the photocell is covered. Call Tech Support for help if none of the above solves the issue.
Light does not work at all.	Check all wiring for disconnections, shorts and burnt wiring and connections. Confirm steady input voltage to the light fixture, fluctuating input voltage will harm the LED driver and can lead to premature failure. If input voltage is not in the voltage range of the fixture, you will need to find the source of your input voltage issue. Call Tech Support for help if none of the above solves the issue.

For more technical information, install questions, troubleshooting help or warranty claims, we have a dedicated US Tech and Customer Support Team to help solve any issues you have and can be reached by email or phone. If you need help with any of our products, we are here for you so that you are never in the dark!

BETTER LIGHTS. BETTER SUPPORT.

