

# 1200W STADIUMPRO III | LED SPORT LIGHT



## PRODUCT DESCRIPTION

THE STADIUM PRO SERIES EVOLVES WITH THE SERIES III! 7 YEAR WARRANTY! MORE EFFICIENT WITH HIGHER LUMENS, TOP-TIER SOSEN VP DRIVERS, AND A NEW SIMPLE SLIP-FIT MOUNT OPTION. THE STADIUM PRO III IS UL AND DLC 5.1 CERTIFIED - THE PINNACLE OF SPORT LIGHTING!

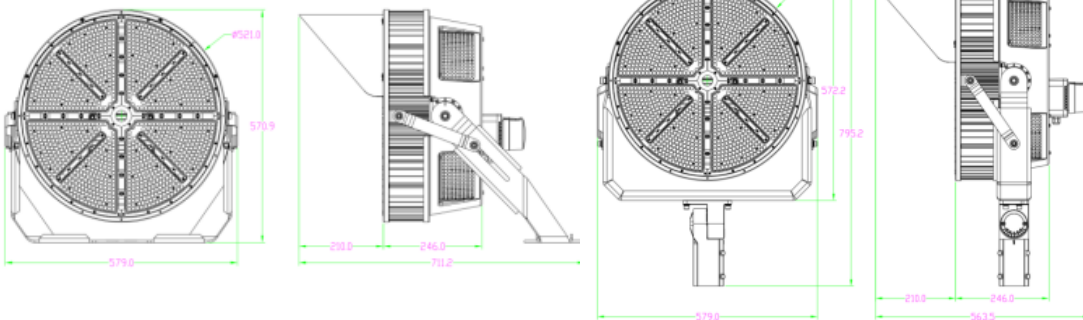


DLC #: RGL-STADIUMPRO-3-1200W

## PRODUCT FEATURES & COMMON USE APPLICATIONS

- ✓ UL cUL DLC-V5.1(Premium) certificate
- ✓ Input voltage 277-480Vac (Works With a 3 phase system)
- ✓ No UV or IR in the beam
- ✓ Easy to install and operate
- ✓ Energy saving, long lifespan
- ✓ Instant start, NO flickering, NO humming
- ✓ Green and eco-friendly without mercury
- ✓ Output constant current lever can be adjusted through output cable with 0-10V.
- ✓ Stadium Fields
- ✓ Gymnasium
- ✓ Square plaza
- ✓ Shipyard, Airport, wharf
- ✓ High mast and Contour lighting, etc.

## PRODUCT DIMENSIONS



## LEGENDARY USA SUPPORT



US based phone and online customer support



Rugged Grade Lighting  
Industrial Grade Solutions



888-953-2476  
sales@ruggedgrade.com



## PRODUCT TECHNICAL SPECIFICATIONS

<b>OPTICAL</b>	Input Power (Tolerance: $\pm 10\%$ )	1200W
	Color Temperature	5000K
	Lumen (Tolerance: $-10\%$ )	162500 LM
	Efficacy (Tolerance: $-3\%$ )	135 LM/W
	CRI	$>70$
	Color Consistency	$< 6$ Steps (or $< 6$ SDCM)
	BUG	B5-U0-G3
	Distribution Pattern	NEMA:4
	Beam Angle (50%) (Tolerance: $\pm 15\%$ )	$40^\circ$
<b>ELECTRICAL</b>	Input Voltage and Frequency	277-480VAC, 50/60Hz (Works with 3 Phase System)
	PF (Tolerance: $-3\%$ )	$\geq 0.9$
	THD (Tolerance: $+5\%$ )	$\leq 20\%$
	Flicker Percent	$< 5\%$
	Driver Brand	SOSEN
	Driver Model	SS-240M-56BH
	Driver Surge protection	L/N-PE: 10kV, L-N:6kV
	Dimming	0-10V dimming standard
	Optional Accessory	Sensor Receptacle + Photosensor /Sensor Receptacle + Short Cap /Surge-protective Device
<b>MATERIALS</b>	LED Brand	Bridgelux
	LED Type	SMD3030
	LED QTY	504 PCS
	Housing	Die-cast aluminum
	Housing Color	Black, White, Bronze, or Customized
	EPA	1.6 ft <sup>2</sup>
	Waterproof Rating	WET (IP65)
<b>OTHERS</b>	Operating Temperature	$-40^\circ\text{C}$ TO $45^\circ\text{C}$
	Storage Temperature	$-40^\circ\text{C}$ TO $80^\circ\text{C}$
	Operating Humidity	20% - 90% RH
	Storage Humidity	10% - 95% RH
	Warranty	5 years warranty with 24/7 operating hours Luminaire lifetime at $25^\circ\text{C}$ .

## PRODUCT ACCESORIES



Slip Fit Mount



Laser Point



Flood Mount



Visor



## PRODUCT IMAGES & ACTUAL INSTALLATIONS



Slip Fit Mount and Flood Mount included



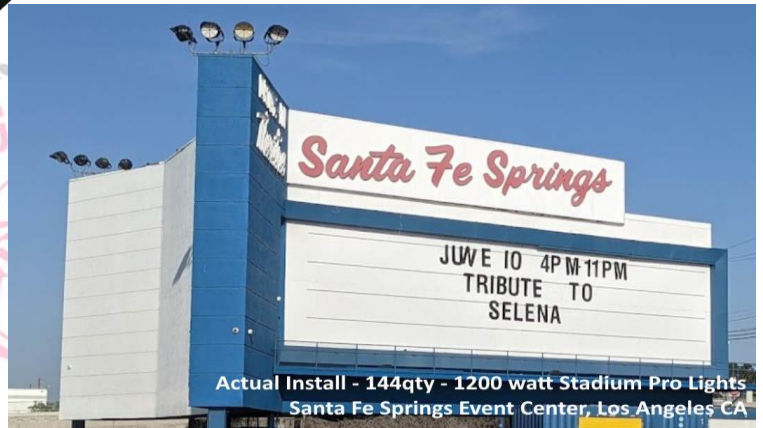
Slip Fit Mount



Flood Mount



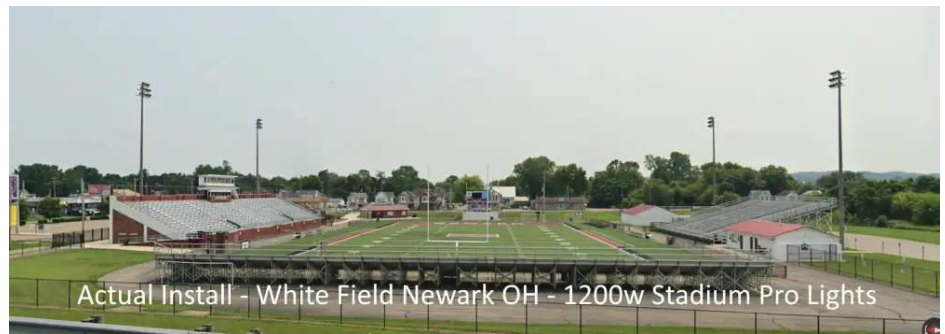
Actual Install - ECMX Motorsports Park MT



Actual Install - 144qty - 1200 watt Stadium Pro Lights  
Santa Fe Springs Event Center, Los Angeles CA



Actual Install - StadiumPro LED Sports Lights  
Keystone Fieldhouse, PA



Actual Install - White Field Newark OH - 1200w Stadium Pro Lights



## DLC PRODUCT SPEC

Product ID: S-R5LAS7



### RGL-STADIUMPRO-3-1200WS1PS4H1-ac[10SP;20SP;blank]eW50

Manufacturer: RuggedGrade  
Brand: RuggedGrade

#### PRODUCT OVERVIEW

Model Number	RGL-STADIUMPRO-3-1200WS1PS4H1-ac[10SP;20SP;blank]eW50
Classification	Premium
Primary Use	Architectural Flood and Spot Luminaires
Reported Input Wattage	1173.2 W
Reported Light Output	161006 lm
Reported CCT	5000 K
Reported CRI (Ra)	70
Product ID	S-R5LAS7
DLC Family Code	SLFACQ
Listing Status	Listed
Date Qualified	2022-08-25

#### PRODUCT INFORMATION

Qualified Product List	Solid State Lighting
Technical Requirements Version	5.1
Product ID	S-R5LAS7
Manufacturer	RuggedGrade
Brand	RuggedGrade
Model Number	RGL-STADIUMPRO-3-1200WS1PS4H1-ac[10SP;20SP;blank]eW50
Parent	No

#### PRODUCT CATEGORIZATION

[VIEW DETAILS](#)

#### CONTROL FEATURES

[VIEW DETAILS](#)

#### REPORTED PHOTOMETRIC PERFORMANCE

Reported Light Output	161006 lm
Reported Efficacy (AC)	137.24 lm/W
Reported CCT	5000 K
Reported CRI (Ra)	70
Reported R9	-37
Reported IES Rf	75
Reported IES Rg	93
Reported IES Rcs, h1	-18

#### REPORTED ELECTRICAL PERFORMANCE

Reported Input Wattage	1173.2 W
Reported Total Harmonic Distortion	15 %
Reported Power Factor	0.9
Reported Minimum Input Wattage	800 W
Reported Maximum Input Wattage	1173.2
Reported Default Input Wattage	1173.2 W
Voltage Range	277-480 V



PHOTOMETRICS

### Luminaire Property

Luminaire Manufacturer:  
 Luminaire Category:  
 Lamp Catalog:  
 Number of Lamps:  
 Luminous Length (mm):  
 Luminous Height (mm):  
 Current: 4.412 A  
 Power Factor: 0.967

Luminaire Description:  
 Lamp Description:  
 Lumens per Lamp:  
 Luminous Width (mm):  
 Voltage: 277.0 V  
 Power: 1181.90 W

### Photometric Results

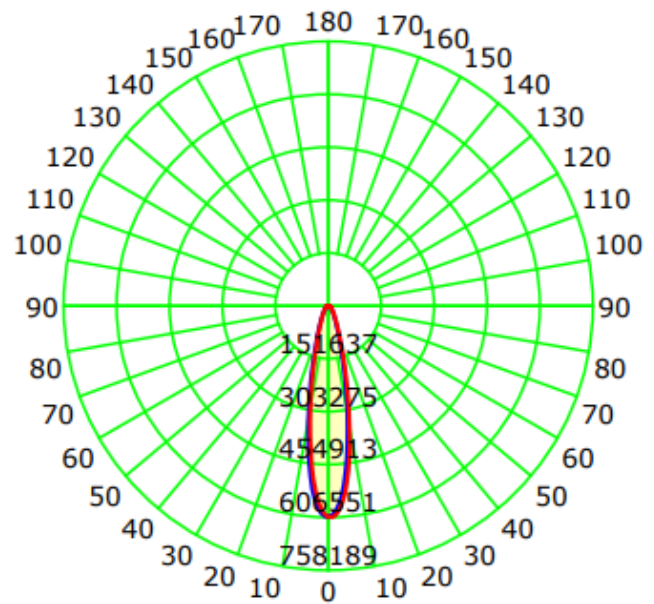
IES Classification: Type I  
 Total Rated Lamp Lumens: 165915.0 lm  
 Efficiency: 100%  
 Upward Ratio: 0%  
 C0r0 Intensity: 604909.19 cd  
 Pos of Max. Intensity: H135 V1  
 Beam Angle(C0/C180,C90/C270,C45/C225,C135/315): 21.1, 21.1, 21.2, 21.1

Longitudinal Classification: Very Short  
 Measurement Flux: 165915 lm  
 Downward Ratio: 100%  
 Luminaire Efficacy Rating (LER): 140.43  
 Max. Intensity: 606551.57 cd

Picture Of Luminaire



Luminous Intensity Distribution Curve



Unit: cd

Average Diffuse Angle(50%): 21.1°

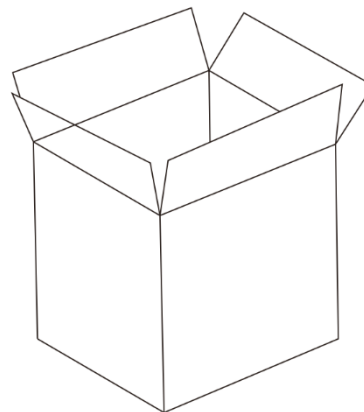
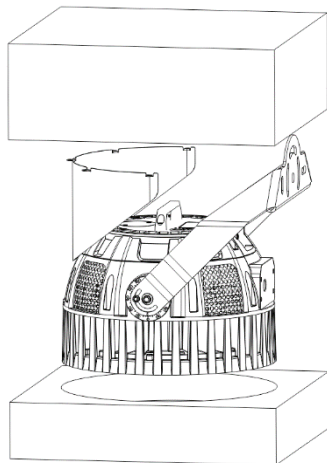
— C0-C180 — C90-C270



## PRODUCT PACKAGING

Bracket Type	Carton Size	Qty / Carton	Net Weight / Carton	Gross Weight / Carton
FM	680*630*585 MM	1 PC	14.82 KG	35 KG
AM	900*630*585 MM	1 PC	15.12 KG	36.6 KG

\*Tolerance of Carton Size: ±15 MM, Tolerance of Weight: ±10%.



## PRODUCT WARNINGS

- ⚡ Please turn off power before install or change assembly parts.
- ⚡ The input voltage and lamps should be matched, after connecting the power line.
- ⚡ Please make sure the wiring section is insulated.
- ⚡ Professionals must install and disassemble the lamps.
- ⚡ Surge is the number 1 cause of LED light failure. Outdoor lights must have surge at fixture, pole, and breaker.
- ⚡ Surge is the number 1 cause of LED light failure. Indoor lights must have surge at fixture and breaker.

## PRODUCT TROUBLESHOOTING

Issue	Check points
Light Flickers	Check all wiring for disconnections, shorts and burnt wiring and connections. Confirm steady input voltage to the light fixture, fluctuating input voltage will harm the LED driver and can lead to premature failure. Lights with photocells can have photocell tag from ambient light or light reflecting at the sensor. Simply cover the photocell completely and see if flickering continues while the photocell is covered. Call Tech Support for help if none of the above solves the issue.
Light does not work at all.	Check all wiring for disconnections, shorts and burnt wiring and connections. Confirm steady input voltage to the light fixture, fluctuating input voltage will harm the LED driver and can lead to premature failure. If input voltage is not in the voltage range of the fixture, you will need to find the source of your input voltage issue. Call Tech Support for help if none of the above solves the issue.

**For more technical information, install questions, troubleshooting help or warranty claims, we have a dedicated US Tech and Customer Support Team to help solve any issues you have and can be reached by email or phone. If you need help with any of our products, we are here for you so that you are never in the dark!**

# BETTER LIGHTS. BETTER SUPPORT.

