

80W Rotate IV | LED WALL PACK LIGHT



PRODUCT DESCRIPTION

Rotating Design - 80 Watt LED Wall Pack Light - 10,400 Lumens - High Efficiency 130 Lumen to Watt - Each Panel Rotates Individually

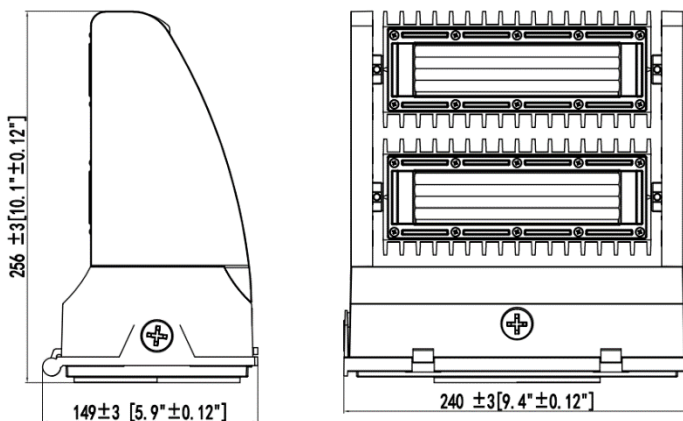


DLC #: RGL-ROTATE4-80W

PRODUCT FEATURES & COMMON USE APPLICATIONS

- UL cUL, and DLC 5.1 certificate.
- Bridgelux 3030, high CRI.
- IP65 Internal driver.
- Input voltage 120-277VAC.
- Output constant current lever can be adjusted through output cable with 0-10V
- No UV or IR in the beam.
- Easy to install and operate.
- Energy saving, long lifespan.
- Light is soft and uniform, safe to eyes.
- Instant start, NO flickering, NO humming.
- Entrance lighting, courtyard lighting;
- Industrial lighting, Outdoor landscape lighting;
- Building, The hotel;
- Wall lighting area and so on.

PRODUCT DIMENSIONS



LEGENDARY USA SUPPORT



US based phone and online customer support

DLC CERTIFIED

5 YEARS WARRANTY

UL LISTED



Rugged Grade Lighting
Industrial Grade Solutions



888-953-2476
sales@ruggedgrade.com

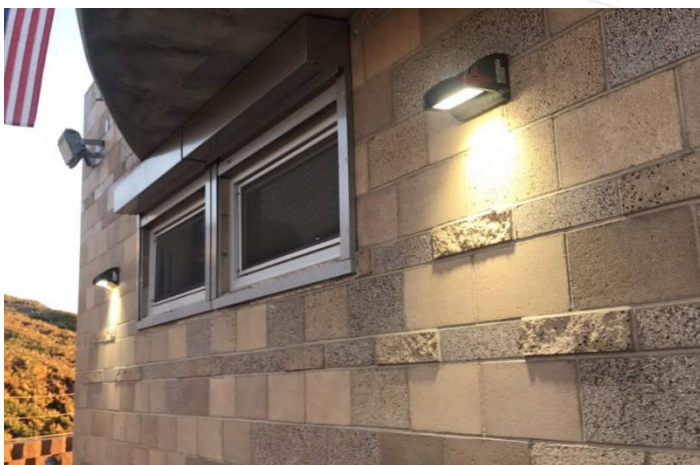
PRODUCT TECHNICAL SPECIFICATIONS

OPTICAL	Input Power (Tolerance : ±10%)	80W (Wattage adjustable 80W/60W/40W)		
	CCT (Color Tunable)	3000K	4000K	5000K
	Lumen (Tolerance : ±10%)	10000 LM	11200 LM	10400 LM
	Efficacy (Tolerance : ±3%)	125LM/W	140LM/W	130LM/W
	CRI	>80		
	Color Consistency	<7Steps (or <7SDCM)		
	BUG	B3-U2-G1		
	Distribution Pattern	Type II		
	Beam Angle (50%) (Tolerance : ±15%)	110*95deg		
ELECTRICAL	Input Voltage and Frequency	120-277VAC, 50/60Hz		
	PF (Tolerance : -3%)	≥0.9		
	THD (Tolerance : +5%)	≤20%		
	Flicker Percent	< 30%		
	Driver Brand	Rugged Grade Lighting		
	Driver Model	Rugged Grade Lighting Driver		
	Driver Surge protection	L-N:6KV,L/N-GND:6KV		
	Dimming	0-10V dimming standard		
	Sensor Type	Occupancy Sensor		
	Optional Accessory	Surge-protective Device, Motion Sensor, PIR Sensor		
MATERIALS	LED Brand	Lumileds		
	LED Type	SMD 2835		
	LED QTY	2*48*2PCS		
	Housing	Die-cast aluminum		
	Housing Color	Bronze, Black, or Customized		
	Waterproof Rating	WET (IP65)		
OTHERS	Operating Temperature	-40°C TO 50°C; Sensor :-25°C TO 50°C ;		
	Storage Temperature	-40°C TO 80°C		
	Operating Humidity	20% - 90% RH		
	Storage Humidity	10% - 95% RH		
	Warranty	5 years warranty		

PRODUCT MOUNTS & ACCESSORIES



PRODUCT IMAGES & ACTUAL INSTALLATIONS



PHOTOMETRICS & DLC PRODUCT SPEC

Luminaire Property

Luminaire Manufacturer:
 Luminaire Category:
 Lamp Catalog:
 Number of Lamps:
 Luminous Length (mm):
 Luminous Height (mm):
 Current: 0.686 A
 Power Factor: 0.991

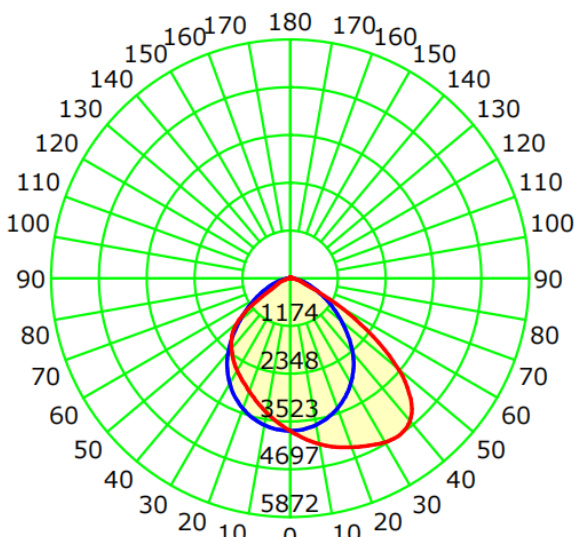
Luminaire Description:
 Lamp Description:
 Lumens per Lamp:
 Luminous Width (mm):
 Voltage: 120.0 V
 Power: 81.55 W

Photometric Results

IES Classification: Type II
 Total Rated Lamp Lumens: 10453.6 lm
 Efficiency: 100%
 Upward Ratio: 1%
 C0r0 Intensity: 3752.73 cd
 Pos of Max. Intensity: H90 V34
 Beam Angle(C0/C180,C90/C270,C45/C225,C135/315): 93.5, 93.0, 104.5, 104.4

Longitudinal Classification: Very Short
 Measurement Flux: 10453.6 lm
 Downward Ratio: 99%
 Luminaire Efficacy Rating (LER): 128.24
 Max. Intensity: 4697.86 cd

Luminous Intensity Distribution Curve

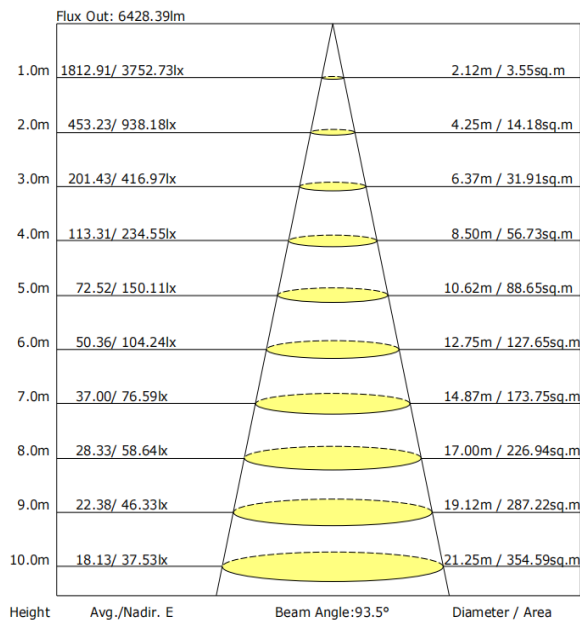


Unit: cd

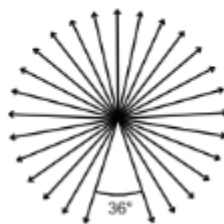
Average Diffuse Angle(50%): 93.2°

— C0-C180 — C90-C270

The Average Illuminance Effective Figure



FALD instruction: Take this picture as an example, the light fixture is perpendicular(90D) to the ground so the modules rotates to 90°, And the angle that the modules can rotate to is 0-162° and 198°-360°, of which 162°-198°(36°) the modules cannot be reached by rotating which is the part of driver box of the light fixture.



The direction of the arrow is toward the light-emitting surface



Product ID: S-7FAJ23

3



RGL-ROTATE4-80WH1BSPSA1-abWd50

Manufacturer: RuggedGrade
Brand: RuggedGrade

PRODUCT OVERVIEW

Classification	Premium
Primary Use	Outdoor Full-Cutoff Wall-Mounted Area Luminaires
Reported Input Wattage	81.6 W
Reported Light Output	10781 lm
Reported CCT	5000 K
Reported CRI (Ra)	82
Product ID	S-7FAJ23
DLC Family Code	SLFAXC
Listing Status	Listed
Date Qualified	2023-12-11

PRODUCT INFORMATION

Qualified Product List	Solid State Lighting
Technical Requirements Version	5.1
Product ID	S-7FAJ23
Manufacturer	RuggedGrade
Brand	RuggedGrade
Model Number	RGL-ROTATE4-80WH1BSPSA1-abWd50
Parent	No
Classification	Premium

PRODUCT CATEGORIZATION

[VIEW DETAILS](#)

CONTROL FEATURES

[VIEW DETAILS](#)

REPORTED PHOTOMETRIC PERFORMANCE

Reported Light Output	10781 lm
Reported Efficacy (AC)	132.16 lm/W
Reported CCT	5000 K
Reported CRI (Ra)	82
Reported R9	4
Reported IES Rf	84
Reported IES Rg	96
Reported IES Rcs,h1	-12

REPORTED ELECTRICAL PERFORMANCE

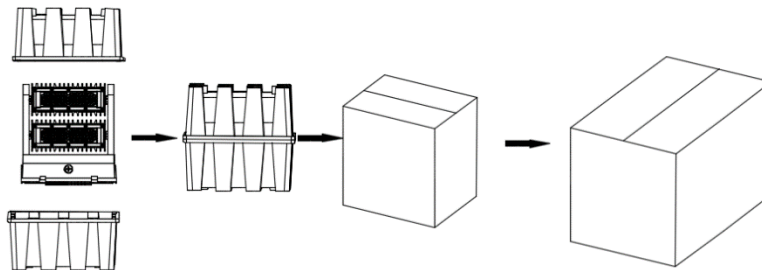
Reported Input Wattage	81.6 W
Reported Total Harmonic Distortion	15 %
Reported Power Factor	0.9
Reported Minimum Input Wattage	40 W
Reported Maximum Input Wattage	81.6
Reported Default Input Wattage	81.6 W
Voltage Range	120-277 V



PRODUCT PACKAGING

Bracket Type	Carton Size	Qty / Carton	Net Weight / Carton	Gross Weight / Carton
Outer box	415*310*320 mm (16.33"*12.2"*12.6")	2 PCS	5.4 KG (11.9lb)	7.5KG (16.5lb)
Inner box	295*200*300 mm (11.6"*7.9"*11.8")	1 PC	2.7KG (6.0lb)	3.2KG (7.1lb)

* Tolerance of Carton Size: ± 15 MM, Tolerance of Weight: $\pm 10\%$.



PRODUCT WARNINGS

- ⚠ Please turn off power before install or change assembly parts.
- ⚠ The input voltage and lamps should be matched, after connecting the power line.
- ⚠ Please make sure the wiring section is insulated.
- ⚠ Professionals must install and disassemble the lamps.
- ⚠ Surge is the number 1 cause of LED light failure. Outdoor lights must have surge at fixture, pole, and breaker.
- ⚠ Surge is the number 1 cause of LED light failure. Indoor lights must have surge at fixture and breaker.

PRODUCT TROUBLESHOOTING

Issue	Check points
Light Flickers	Check all wiring for disconnections, shorts and burnt wiring and connections. Confirm steady input voltage to the light fixture, fluctuating input voltage will harm the LED driver and can lead to premature failure. Lights with photocells can have photocell tag from ambient light or light reflecting at the sensor. Simply cover the photocell completely and see if flickering continues while the photocell is covered. Call Tech Support for help if none of the above solves the issue.
Light does not work at all.	Check all wiring for disconnections, shorts and burnt wiring and connections. Confirm steady input voltage to the light fixture, fluctuating input voltage will harm the LED driver and can lead to premature failure. If input voltage is not in the voltage range of the fixture, you will need to find the source of your input voltage issue. Call Tech Support for help if none of the above solves the issue.

For more technical information, install questions, troubleshooting help or warranty claims, we have a dedicated US Tech and Customer Support Team to help solve any issues you have and can be reached by email or phone. If you need help with any of our products, we are here for you so that you are never in the dark!

BETTER LIGHTS. BETTER SUPPORT.

