



Rotate III Series brings the rotating wall pack to a new level! DLC 5.1 Certification for Rebates, Dimming, 140+ Lumens per Watt and Optional Photocell add-ons



P/N: RGL-ROTATE3-120F1JYT1SA2-abcdef

Note:

The letter "a" can be 2 letters represent lamp colors, "BH = Black, WH=White,BR=Bronze or Customized".

The letter "b" can be "P" for Photocontrol or blank for no control function, or "M" for motion sensor, "R" for 12V PIR control, "PM" for photocontrol+motion sensor, "PR" for photocontrol+PIR sensor;

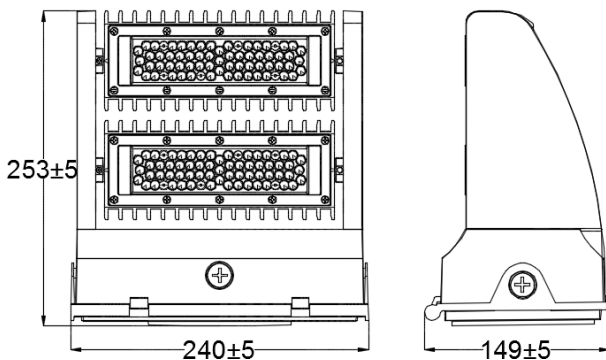
The letter "c" can be "A" for power Adjustable provided or blank for not provided;

The letter "d" can be "S" or blank for Surge-Protective Device provided or not;

The letter "e" can be two digits to represent CCT, 30=3000K, 40=4000K, 45=4500K, 50=5000K, 57=5700K, 65=6500K ;

The letter "f" can be "F" for Auxiliary output 12V or empty for no Auxiliary output 12V.

DIMENSIONS



ADVANTAGE

- UL cUL certificate.
- Bridgelux 3030, high CRI.
- IP65 Internal driver.
- Input voltage 120-277VAC.
- Output constant current lever can be adjusted through output cable with 0-10V
- No UV or IR in the beam.
- Easy to install and operate.
- Energy saving, long lifespan.
- Light is soft and uniform, safe to eyes.
- Instant start, NO flickering, NO humming.

APPLICATION

- Entrance lighting,courtyard lighting;
- Industrial lighting,Outdoor landscape lighting;
- Building,The hotel;
- Wall lighting area and so on.

SPECIFICATIONS

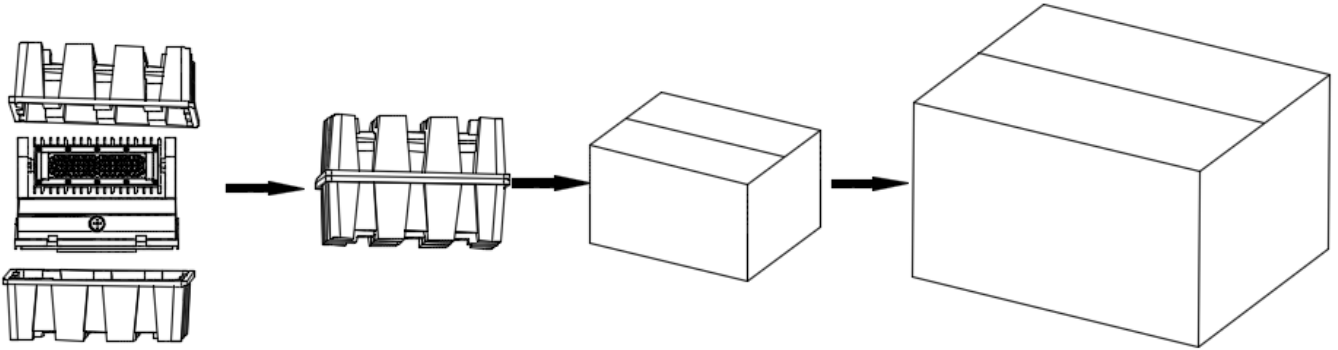
OPTICAL	Input Power (Tolerance : $\pm 10\%$)	120W
	CCT	3000K 4000K 4500K 5000K 5700K
	Lumen (Tolerance : -10%)	15960LM 16200LM 16320LM 16440LM 16680LM
	Efficacy (Tolerance : -3%)	133LM/W 135LM/W 136LM/W 137LM/W 139LM/W
	CRI	>70
	Color Consistency	<7Steps (or <7SDCM)
	BUG	B3-U1-G0
Beam Angle (50%) (Tolerance :	60 Degree	
ELECTRICAL	Input Voltage and Frequency	120-277VAC, 50/60Hz
	PF (Tolerance : -3%)	≥ 0.9
	THD (Tolerance : +5%)	$\leq 20\%$
	Flicker Percent	<50%
	Driver Brand	Rugged Grade Lighting
	Driver Model	Rugged Grade Driver
	Driver Surge protection	Differential mode: 6KV.Common mode:10KV
	Dimming	0-10V dimming standard
Optional Accessory	Surge protector / Motion Sensor / PIR / Photocell /Auxiliary	
MATERIALS	LED Brand	Bridgelux
	LED Type	SMD3030
	LED QTY	126 PCS
	Housing	Die-cast aluminum
	Housing Color	Bronze, Black, or Customized
	Waterproof Rating	WET (IP65)
OTHERS	Operating Temperature	-40°C TO 45°C;
	Storage Temperature	10%-90% RH
	Operating Humidity	-40°C TO 80°C
	Storage Humidity	10%-95% RH
	Warranty	5 years warranty with 24/7 operating hours Luminaire lifetime



PACKAGE

Bracket Type	Carton Size	Qty / Carton	Net Weight / Carton	Gross Weight / Carton
Outer box	425 x 313 x 325 MM	2 PCS	6.1 KG	7.2KG

Tolerance of Carton Size: ± 15 MM, Tolerance of Weight: $\pm 10\%$.



Product ID: PLHBZIPJBBQZ

>



RGL-ROTATE3-120WF1JYT1SA2-ab[S;Blank]50[F;Blank]

Manufacturer: RuggedGrade
Brand: RuggedGrade

PRODUCT OVERVIEW

Classification	Premium
Primary Use	Outdoor Full-Cutoff Wall-Mounted Area Luminaires
Reported Input Wattage	124.15 W
Reported Light Output	17041.2 lm
Reported CCT	5000 K
Reported CRI (Ra)	70
Product ID	PLHBZIPJBBQZ
DLC Family Code	EMWAEY
Listing Status	Listed
Date Qualified ⁱ	2021-08-06

PRODUCT INFORMATION

Qualified Product List	Solid State Lighting
Technical Requirements Version ⁱ	5.1
Product ID ⁱ	PLHBZIPJBBQZ
Manufacturer ⁱ	RuggedGrade
Brand	RuggedGrade
Model Number ⁱ	RGL-ROTATE3-120WF1JYT1SA2-ab[S;Blank]50[F;Blank]
Parent ⁱ	No
Classification ⁱ	Premium

PRODUCT CATEGORIZATION

[VIEW DETAILS](#)

CONTROL FEATURES

[VIEW DETAILS](#)

REPORTED PHOTOMETRIC PERFORMANCE

Reported Light Output ⁱ	17041.2 lm
Reported Efficacy (AC) ⁱ	137.26 lm/W
Reported CCT ⁱ	5000 K
Reported CRI (Ra) ⁱ	70
Reported R9 ⁱ	-30
Reported IES Rf	76
Reported IES Rg	95
Reported IES Rcs,h1	-16

TROUBLE SHOOTINGS

Issue	Check points
Light Flickers	Check all wiring for disconnections, shorts and burnt wiring and connections. Confirm steady input voltage to the light fixture, fluctuating input voltage will harm the LED driver and can lead to premature failure. Lights with photocells can have photocell tag from ambient light or light reflecting back at the sensor. Simply cover the photocell completely and see if flickering continues while the photocell is covered. Call Tech Support for help if none of the above solves the issue.
Light does not work at all.	Check all wiring for disconnections, shorts and burnt wiring and connections. Confirm steady input voltage to the light fixture, fluctuating input voltage will harm the LED driver and can lead to premature failure. If input voltage is not in the voltage range of the fixture, you will need to find the source of your input voltage issue. Call Tech Support for help if none of the above solves the issue.

For more technical information, install questions, troubleshooting help or warranty claims, we have a dedicated US Tech and Customer Support Team to help solve any issues you have and can be reached by email or phone. If you need help with any of our products, we are here for you so that you are never in the dark!



**BETTER LIGHTS.
BETTER SUPPORT.**

DL **CERTIFIED**

UL **LISTED**

LEGENDARY RUGGEDGRADE QUALITY
LEGENDARY USA SUPPORT

**US based
phone and online
customer support**

**ROCK SOLID
5 YEARS
WARRANTY**