

PRODUCT DESCRIPTION

Aries IV Series = Smaller, Smarter and Dimmable! Surge Protection Built in with the Best Driver on the Market! High Efficient LEDs with over 135 in Fixture performance - 360 Degree Lighting LED Corn Light Bulb and Onboard Dimming



#: RGL-ARIES-4-TT-35WBDA1

PRODUCT FEATURES & COMMON USE APPLICATIONS

- UL cUL certificate.
- E39/EX39 lamp base.
- Lumileds Chip, high CRI.
- Internal driver, input voltage 120-277VAC.
- Meet 4kV surge immunity level.
- Direct replacement for Metal Halide, easy installation.
- Fits many different fixtures to replace traditional lamps.
- Two dimming options are available, continuous dimming or segmented dimmer
- Long lifespan and good heat dissipation, With Sunon fan
- Replacement Lamps for Outdoor Pole/Arm-mounted Decorative Luminaires (Type B)

PRODUCT DIMENSIONS

35W ARIES IV SERIES | LED CORN LIGHT BULB



Rugged Grade Lighting
Industrial Grade Solutions



LEGENDARY USA SUPPORT

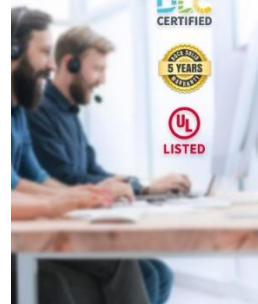


US based
phone and online
customer support

DLC
CERTIFIED

5 YEARS
WARRANTY

UL
LISTED



888-953-2476
sales@ruggedgrade.com



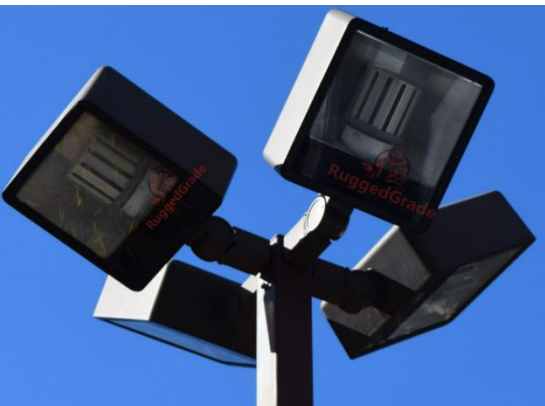
PRODUCT TECHNICAL SPECIFICATIONS

OPTICAL	Input Power (Tolerance : $\pm 10\%$)	35W(35/26/18W applicable for TT model)		
	Color Temperature (Color Tunable)	3000K	4000K	5000K
	Lumen (Tolerance : $\pm 10\%$)In Luminaires	4800LM	5075LM	4950M
	Efficacy (Tolerance : $\pm 3\%$)In Luminaires	137LM/W	145LM/W	141M/W
	CRI	>80		
	Color Consistency	< 7 Steps (or < 7 SDCM)		
	Diffuser Type	Clear PC		
	Beam Angle (50%) (Tolerance : $\pm 25\%$)	280 Degree		
ELECTRICAL	Input Voltage and Frequency	120-277VAC, 50/60Hz		
	PF (Tolerance : -3%)	≥ 0.9		
	THD (Tolerance : +5%)	$\leq 20\%$		
	Flicker Percent	< 30%		
	Driver Surge protection	L-N: 4kV		
	Dimmable	0-10V dimming standard (through manual knob on the lamp)		
	Equivalent	80W CFL, 150W MHL/HPS/HID		
MATERIALS	LED Brand	Lumileds		
	LED Type	SMD2835		
	LED QTY	108 pcs of 3000K + 108 pcs of 5000K		
	Housing	PC + Aluminum		
	Housing Color	Any colors		
	Waterproof Rating	DAMP		
OTHERS	Operating Temperature	-40°C TO 50°C		
	Storage Temperature	-40°C TO 80°C		
	Operating Humidity	20% - 70% RH		
	Storage Humidity	10% - 75% RH		
	Warranty	5 years		

PRODUCT MOUNTS & ACCESSORIES



PRODUCT IMAGES & ACTUAL INSTALLATIONS



PHOTOMETRICS

Remark: The testing data comes directly from the product test.

Luminaire Property

Luminaire Manufacturer:
Voltage: 120.4 V
Power: 35.06 W

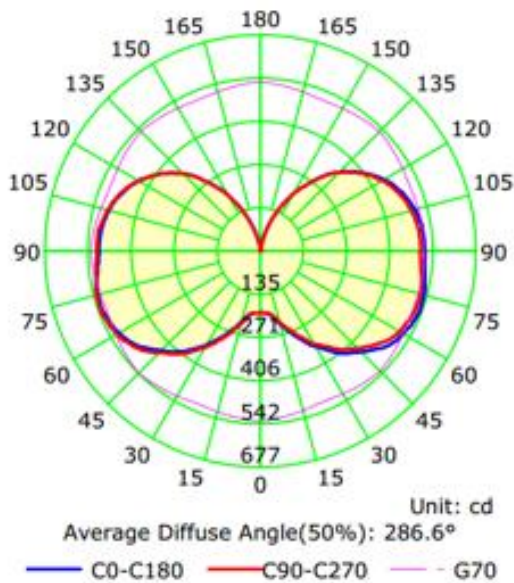
Current: 0.294 A
Power Factor: 0.990

Photometric Results

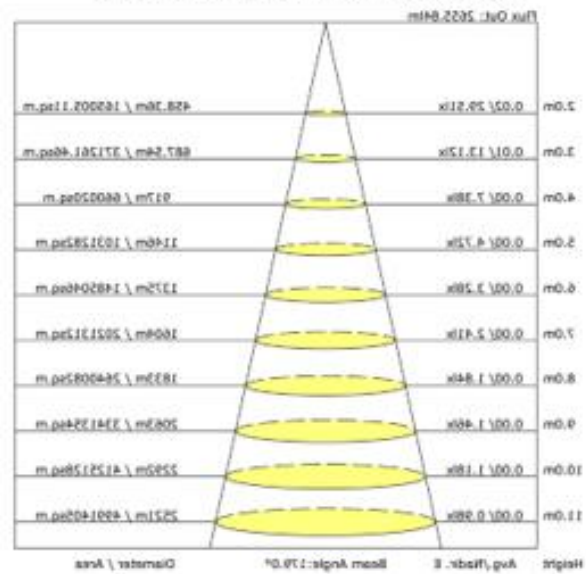
CIE Class: General Diffuse
Measurement Flux: 5270.2 lm
Downward Ratio: 54%
Horizontal Diffuse Angle(10%,50%): H332,H286.9
Vertical Diffuse Angle(10%,50%): V329.7,V287.3
Luminaire Efficacy Rating (LER): 150.37
Max. Intensity: 542.24 cd
S/MH(C0/C180): 2.82

Total Rated Lamp Lumens: 5270.2 lm
Efficiency: 100%
Upward Ratio: 46%
Central Intensity: 193.84 cd
Pos of Max. Intensity: H315 V70
S/MH(C90/C270): 2.80

Luminous Intensity Distribution Curve



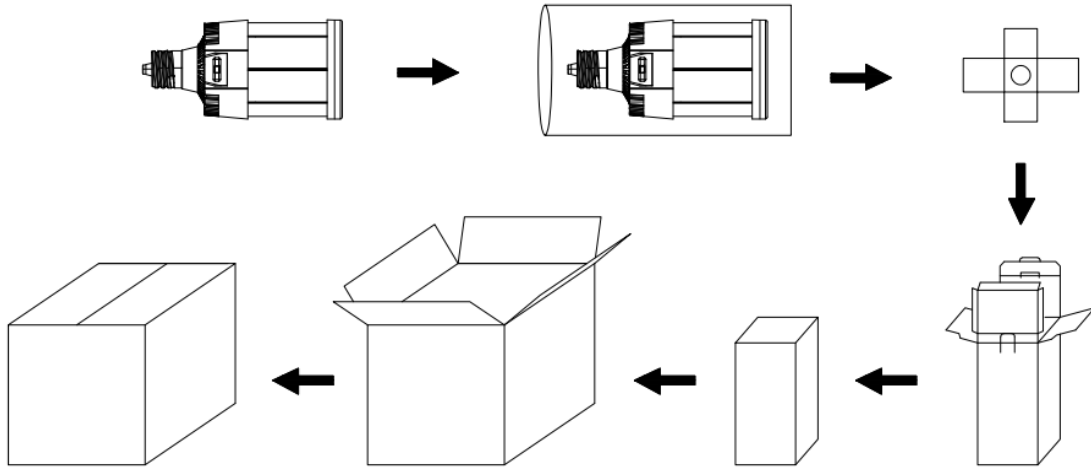
The Average Illuminance Effective Figure



PRODUCT PACKAGING

	Carton Size	Qty / Carton	Net Weight / Carton	Gross Weight / Carton
Inner Carton	75*75*180 MM/2.95*2.95*7.1IN	1 PC	0.22KG/0.48lb	0.24KG/0.53lb
Outer Carton	395*320*195 MM/15.6*12.6*7.7IN	12 PCS	2.9KG/6.4lb	4.12KG/9.1lb

*Tolerance of Carton Size: ±15 MM, Tolerance of Weight: ±10%.



PRODUCT WARNINGS

- ⚡ Please turn off power before install or change assembly parts.
- ⚡ The input voltage and lamps should be matched, after connecting the power line.
- ⚡ Please make sure the wiring section is insulated.
- ⚡ Professionals must install and disassemble the lamps.
- ⚡ Surge is the number 1 cause of LED light failure. Outdoor lights must have surge at fixture, pole, and breaker.
- ⚡ Surge is the number 1 cause of LED light failure. Indoor lights must have surge at fixture and breaker.

PRODUCT TROUBLESHOOTING

Issue	Check points
Light Flickers	Check all wiring for disconnections, shorts and burnt wiring and connections. Confirm steady input voltage to the light fixture, fluctuating input voltage will harm the LED driver and can lead to premature failure. Lights with photocells can have photocell tag from ambient light or light reflecting at the sensor. Simply cover the photocell completely and see if flickering continues while the photocell is covered. Call Tech Support for help if none of the above solves the issue.
Light does not work at all.	Check all wiring for disconnections, shorts and burnt wiring and connections. Confirm steady input voltage to the light fixture, fluctuating input voltage will harm the LED driver and can lead to premature failure. If input voltage is not in the voltage range of the fixture, you will need to find the source of your input voltage issue. Call Tech Support for help if none of the above solves the issue.

For more technical information, install questions, troubleshooting help or warranty claims, we have a dedicated US Tech and Customer Support Team to help solve any issues you have and can be reached by email or phone. If you need help with any of our products, we are here for you so that you are never in the dark!

**BETTER LIGHTS.
BETTER SUPPORT.**

