

PRODUCT DESCRIPTION

The 270 watt version of the Aries IV Series is more powerful, smarter and dimmable! Surge protection built in with the best driver on the market! High Efficiency up to 135 Lumen to watt providing 360 degree lighting. Select your prefer wattage directly on bulb. The perfect energy-saving replacement for fixtures HID/HPS/Metal Halide or CFL providing continuous bright light for over 50,000 hours.

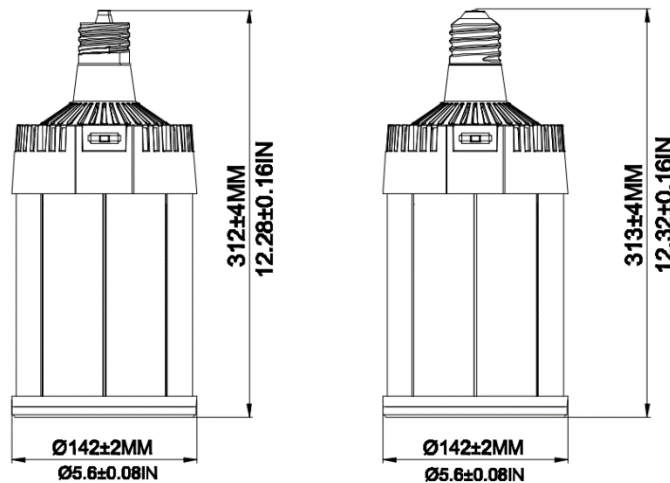


DLC#: RGL-ARIES-4-TT-270WBCDA1

PRODUCT FEATURES & COMMON USE APPLICATIONS

- UL cUL certificate.
- E39 EX39 lamp base.
- Lumileds Chip, high CRI.
- Internal driver, input voltage 277-480VAC.
- Meet 6kV surge immunity level.
- Long lifespan and good heat dissipation, with Sunon fan
- Two dimming options are available, continuous dimming or segmented dimmer
- Fits many different fixtures to replace traditional lamps.
- Replacement Lamps for Outdoor Pole/Arm-mounted Decorative Luminares (Type B)

PRODUCT DIMENSIONS



LEGENDARY USA SUPPORT



US based phone and online customer support

DLC CERTIFIED

5 YEARS WARRANTY

UL LISTED



PRODUCT TECHNICAL SPECIFICATIONS

OPTICAL	Input Power (Tolerance : $\pm 10\%$)	270W switch		
	Color Temperature (Color Tunable)	3000K	4000K	5000K
	Lumen (Tolerance : $\pm 10\%$)In Luminaires	35910 LM	37800 LM	36720 LM
	Efficacy (Tolerance : $\pm 3\%$)In Luminaires	133 LM/W	140 LM/W	136 LM/W
	CRI	>80		
	Color Consistency	< 7 Steps (or < 7 SDCM)		
	Diffuser Type	Clear PC		
	Beam Angle (50%) (Tolerance : $\pm 25\%$)	170.7 Degree		
ELECTRICAL	Input Voltage and Frequency	277-480VAC, 50/60Hz		
	PF (Tolerance : -3%)	≥ 0.9		
	THD (Tolerance : +5%)	$\leq 20\%$		
	Flicker Percent	< 30%		
	Driver Surge protection	L-N: 6kV		
	Dimmable	0-10V dimming standard (through manual knob on the lamp)		
	Equivalent	700W MHL/HPS/HID		
MATERIALS	LED Brand	Lumileds		
	LED Type	SMD2835		
	LED QTY	615 pcs of 3000K + 615 pcs of 5000K		
	Housing	PC + Aluminum		
	Housing Color	Any colors		
	Waterproof Rating	DAMP		
OTHERS	Operating Temperature	-40°C TO 50°C		
	Storage Temperature	-40°C TO 80°C		
	Operating Humidity	20% - 70% RH		
	Storage Humidity	10% - 75% RH		
	Warranty	5 years		

PRODUCT MOUNTS & ACCESSORIES



PRODUCT IMAGES & ACTUAL INSTALLATIONS



DLC SPECS

Product ID: S-MZM7G8

X



RGL-ARIES-4-TT-270WBCDH1-aScK

Manufacturer: RuggedGrade
Brand: RuggedGrade

PRODUCT OVERVIEW

Model Number	RGL-ARIES-4-TT-270WBCDH1-aScK
Classification	Standard
Primary Use	Replacement Lamps for High-Bay Luminaires (Type B)
Reported Input Wattage	268.1 W
Reported Light Output	32057 lm
Reported CCT	3000 K
Reported CRI (Ra)	81
Product ID	S-MZM7G8
DLC Family Code	BCBACT
Listing Status	Listed
Date Qualified	2024-03-26

PRODUCT INFORMATION

Qualified Product List	Solid State Lighting
Technical Requirements Version	5.1
Product ID	S-MZM7G8
Manufacturer	RuggedGrade
Brand	RuggedGrade
Model Number	RGL-ARIES-4-TT-270WBCDH1-aScK
Parent	No
Classification	Standard

PRODUCT CATEGORIZATION

VIEW DETAILS

CONTROL FEATURES

VIEW DETAILS

REPORTED PHOTOMETRIC PERFORMANCE

Reported Light Output	32057 lm
Reported Efficacy (AC)	119.57 lm/W
Reported CCT	3000 K
Reported CRI (Ra)	81
Reported R9	-2
Reported IES Rf	83
Reported IES Rg	96
Reported IES Rcs,h1	-12

REPORTED ELECTRICAL PERFORMANCE

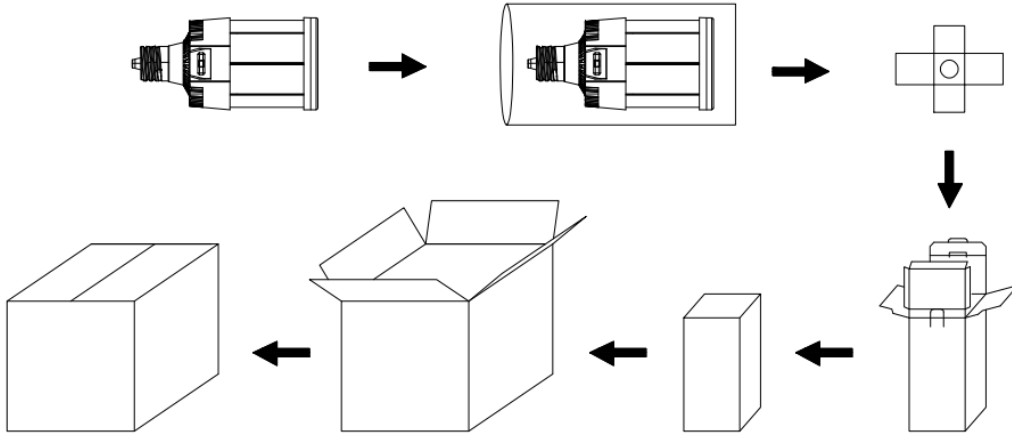
Reported Input Wattage	268.1 W
Reported Total Harmonic Distortion	15 %
Reported Power Factor	0.9
Reported Minimum Input Wattage	268.1 W
Reported Maximum Input Wattage	268.1
Reported Default Input Wattage	268.1 W
Voltage Range	277-480 V



PRODUCT PACKAGING

	Carton Size	Qty / Carton	Net Weight / Carton	Gross Weight / Carton
Inner Carton	150*150*360 MM/5.9*5.9*14.2IN	1 PC	1.62KG/3.57lb	1.77 KG/3.57lb
Outer Carton	470*320*375 MM/18.5*12.6*14.8IN	6 PCS	9.72KG/21.43b	13.2KG/29.1lb

*Tolerance of Carton Size: ±15 MM, Tolerance of Weight: ±10%.



PRODUCT WARNINGS

- ⚡ Please turn off power before install or change assembly parts.
- ⚡ The input voltage and lamps should be matched, after connecting the power line.
- ⚡ Please make sure the wiring section is insulated.
- ⚡ Professionals must install and disassemble the lamps.
- ⚡ Surge is the number 1 cause of LED light failure. Outdoor lights must have surge at fixture, pole, and breaker.
- ⚡ Surge is the number 1 cause of LED light failure. Indoor lights must have surge at fixture and breaker.

PRODUCT TROUBLESHOOTING

Issue	Check points
Light Flickers	Check all wiring for disconnections, shorts and burnt wiring and connections. Confirm steady input voltage to the light fixture, fluctuating input voltage will harm the LED driver and can lead to premature failure. Lights with photocells can have photocell tag from ambient light or light reflecting at the sensor. Simply cover the photocell completely and see if flickering continues while the photocell is covered. Call Tech Support for help if none of the above solves the issue.
Light does not work at all.	Check all wiring for disconnections, shorts and burnt wiring and connections. Confirm steady input voltage to the light fixture, fluctuating input voltage will harm the LED driver and can lead to premature failure. If input voltage is not in the voltage range of the fixture, you will need to find the source of your input voltage issue. Call Tech Support for help if none of the above solves the issue.

For more technical information, install questions, troubleshooting help or warranty claims, we have a dedicated US Tech and Customer Support Team to help solve any issues you have and can be reached by email or phone. If you need help with any of our products, we are here for you so that you are never in the dark!

**BETTER LIGHTS.
BETTER SUPPORT.**

