

## PRODUCT DESCRIPTION

Aries IV Series = Smaller, Smarter and Dimmable! Surge Protection Built in with the Best Driver on the Market! High Efficiency LEDs with over 135 in Fixture performance - 360 Degree Lighting LED Corn Light Bulb and Onboard Dimming

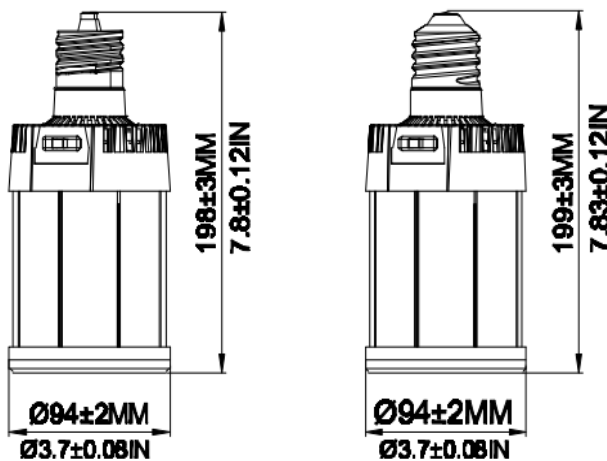


**DLC #: RGL-ARIES-4-TT-050WBCDA1**

## PRODUCT FEATURES & COMMON USE APPLICATIONS

- UL cUL certificate.
- E39/EX39 lamp base.
- Lumileds Chip, high CRI.
- Internal driver, input voltage 120-277VAC.
- Meet 4kV surge immunity level.
- Direct replacement for Metal Halide, easy installation.
- Fits many different fixtures to replace traditional lamps.
- Two dimming options are available, continuous dimming or segmented dimmer
- Long lifespan and good heat dissipation, With Sunon fan
- Replacement Lamps for Outdoor Pole/Arm-mounted Decorative Luminaires (Type B)

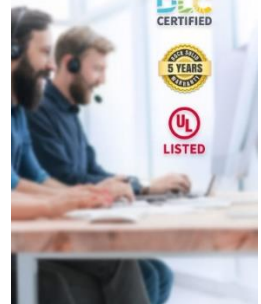
## PRODUCT DIMENSIONS



## LEGENDARY USA SUPPORT



US based phone and online customer support



## PRODUCT TECHNICAL SPECIFICATIONS

OPTICAL	Input Power (Tolerance : ±10%)	Wattage Selectable 50W/38W/25W		
	Color Temperature (Color Tunable)	3000K	4000K	5000K
	Lumen (Tolerance : ±10%)In Luminaires	5321 LM	5973LM	5870LM
	Efficacy (Tolerance : ±3%)In Luminaires	109.6 LM/W	124.5 LM/W	120.8LM/W
	CRI	>80		
	Color Consistency	< 7 Steps (or <7 SDCM)		
	Diffuser Type	Clear PC		
	Beam Angle (50%) (Tolerance : ±25%)	210 Degree		
ELECTRICAL	Input Voltage and Frequency	120-277VAC, 50/60Hz		
	PF (Tolerance : -3%)	≥0.9		
	THD (Tolerance : +5%)	≤20%		
	Flicker Percent	< 30%		
	Driver Surge protection	L-N: 4kV		
	Dimmable	0-10V dimming standard (through manual knob on the lamp)		
	Equivalent	120W CFL, 175W MHL/HPS/HID		
MATERIALS	LED Brand	Lumileds		
	LED Type	SMD2835		
	LED QTY	135 pcs of 3000K + 135 pcs of 5000K		
	Housing	PC + Aluminum		
	Housing Color	Any colors		
	Waterproof Rating	DAMP		
OTHERS	Operating Temperature	-40°C TO 50°C		
	Storage Temperature	-40°C TO 80°C		
	Operating Humidity	20% - 70% RH		
	Storage Humidity	10% - 75% RH		
	Warranty	5 years		

## PRODUCT MOUNTS & ACCESSORIES



PRODUCT IMAGES & ACTUAL INSTALLATIONS

50W ARIES IV SERIES | LED CORN LIGHT BULB



Rugged Grade Lighting  
Industrial Grade Solutions



888-953-2476  
sales@ruggedgrade.com

## DLC 5.1 PREMIUM CERTIFICATION

Product ID: S-X2D9ND



### RGL-ARIES-4-050WBCSA1-aS50K

Manufacturer: RuggedGrade  
Brand: RuggedGrade

PRODUCT OVERVIEW	
Model Number	RGL-ARIES-4-050WBCSA1-aS50K
Classification	Standard
Primary Use	Replacement Lamps for Outdoor Pole/Arm-Mounted Decorative Luminaires (Type B)
Reported Input Wattage	48.7 W
Reported Light Output	5923 lm
Reported CCT	5000 K
Reported CRI (Ra)	83
Product ID	S-X2D9ND
DLC Family Code	8CBACQ
Listing Status	Listed
Date Qualified	2024-03-26

PRODUCT INFORMATION	
Qualified Product List	Solid State Lighting
Technical Requirements Version	5.1
Product ID	S-X2D9ND
Manufacturer	RuggedGrade
Brand	RuggedGrade
Model Number	RGL-ARIES-4-050WBCSA1-aS50K
Parent	No
Classification	Standard

PRODUCT CATEGORIZATION [VIEW DETAILS](#)

CONTROL FEATURES [VIEW DETAILS](#)

REPORTED PHOTOMETRIC PERFORMANCE	
Reported Light Output	5923 lm
Reported Efficacy (AC)	121.77 lm/W
Reported CCT	5000 K
Reported CRI (Ra)	83
Reported R9	9
Reported IES Rf	85
Reported IES Rg	95
Reported IES Rcs,h1	-11

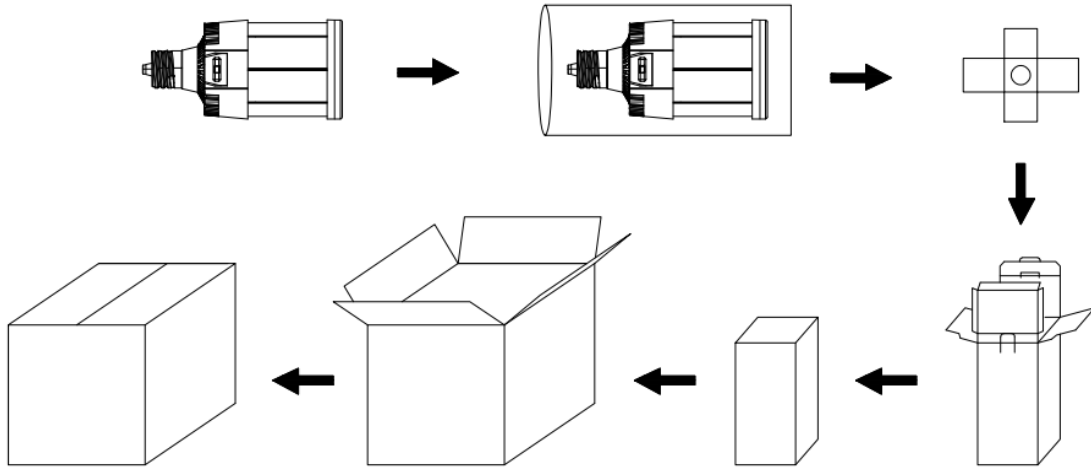
REPORTED ELECTRICAL PERFORMANCE	
Reported Input Wattage	48.7 W
Reported Total Harmonic Distortion	15 %
Reported Power Factor	0.9
Reported Default Input Wattage	48.7 W
Voltage Range	120-277 V



## PRODUCT PACKAGING

	Carton Size	Qty / Carton	Net Weight / Carton	Gross Weight / Carton
Inner Carton	100*100*240 MM/4*4*9.45IN	1 PC	0.55 KG/1.213lb	0.63KG/1.39lb
Outer Carton	420*320*255 MM/16.5*12.6*10IN	12 PCS	6.6KG/14.55lb	8KG/17.64lb

\*Tolerance of Carton Size: ±15 MM, Tolerance of Weight: ±10%.



**PRODUCT WARNINGS**

- ⚡ Please turn off power before install or change assembly parts.
- ⚡ The input voltage and lamps should be matched, after connecting the power line.
- ⚡ Please make sure the wiring section is insulated.
- ⚡ Professionals must install and disassemble the lamps.
- ⚡ Surge is the number 1 cause of LED light failure. Outdoor lights must have surge at fixture, pole, and breaker.
- ⚡ Surge is the number 1 cause of LED light failure. Indoor lights must have surge at fixture and breaker.

**PRODUCT TROUBLESHOOTING**

Issue	Check points
Light Flickers	Check all wiring for disconnections, shorts and burnt wiring and connections. Confirm steady input voltage to the light fixture, fluctuating input voltage will harm the LED driver and can lead to premature failure. Lights with photocells can have photocell tag from ambient light or light reflecting at the sensor. Simply cover the photocell completely and see if flickering continues while the photocell is covered. Call Tech Support for help if none of the above solves the issue.
Light does not work at all.	Check all wiring for disconnections, shorts and burnt wiring and connections. Confirm steady input voltage to the light fixture, fluctuating input voltage will harm the LED driver and can lead to premature failure. If input voltage is not in the voltage range of the fixture, you will need to find the source of your input voltage issue. Call Tech Support for help if none of the above solves the issue.

For more technical information, install questions, troubleshooting help or warranty claims, we have a dedicated US Tech and Customer Support Team to help solve any issues you have and can be reached by email or phone. If you need help with any of our products, we are here for you so that you are never in the dark!

**BETTER LIGHTS.  
BETTER SUPPORT.**

