

PRODUCT DESCRIPTION

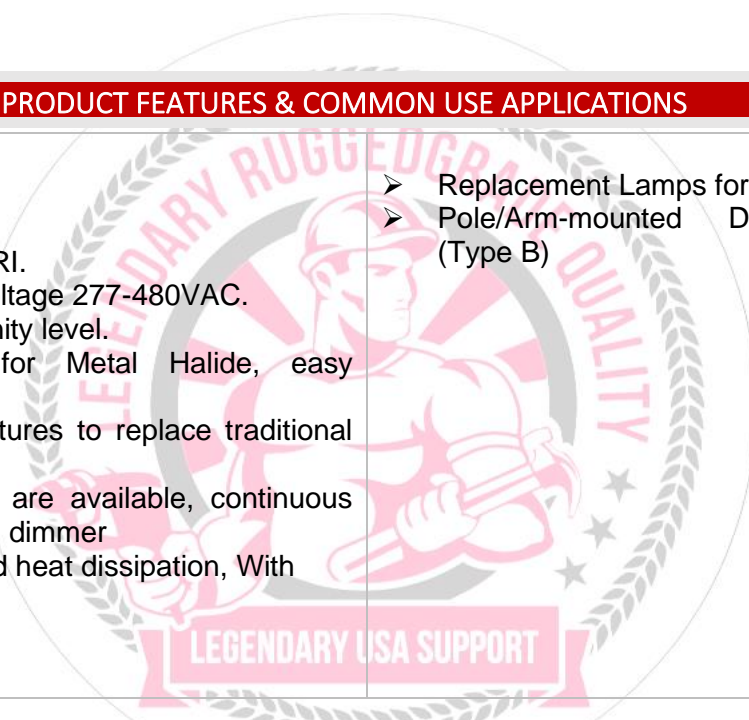
Aries IV Series = Smaller, Smarter and Dimmable! Surge Protection Built in with the Best Driver on the Market! High Efficient LEDs with over 135 in Fixture performance - 360 Degree Lighting LED Corn Light Bulb and Onboard Dimming



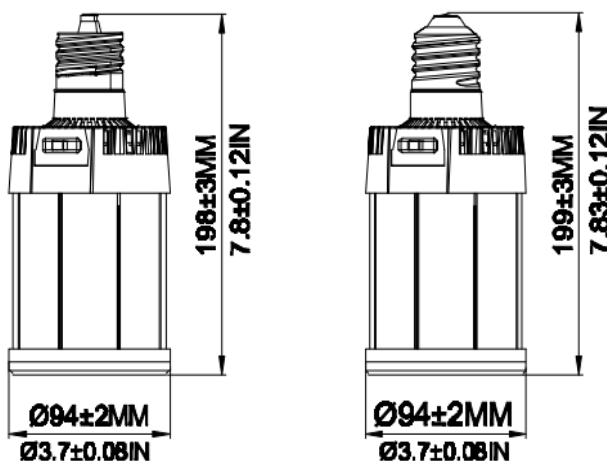
#: RGL-ARIES-4-TT-050WBCDA1

PRODUCT FEATURES & COMMON USE APPLICATIONS

- UL cUL certificate.
- E39/EX39 lamp base.
- Lumileds Chip, high CRI.
- Internal driver, input voltage 277-480VAC.
- Meet 4kV surge immunity level.
- Direct replacement for Metal Halide, easy installation.
- Fits many different fixtures to replace traditional lamps.
- Two dimming options are available, continuous dimming or segmented dimmer
- Long lifespan and good heat dissipation, With Sunon fan
- Replacement Lamps for Outdoor Pole/Arm-mounted Decorative Luminaires (Type B)



PRODUCT DIMENSIONS



LEGENDARY USA SUPPORT



US based phone and online customer support



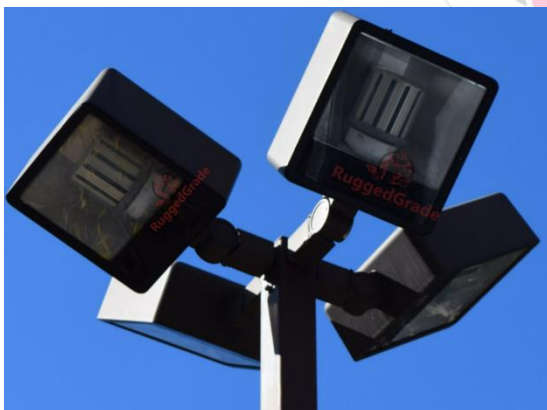
PRODUCT TECHNICAL SPECIFICATIONS

| | | | | |
|-------------------|---|--|----------|----------|
| OPTICAL | Input Power (Tolerance : ±10%) | 50W(50/38/25W applicable for TT model) | | |
| | Color Temperature (Color Tunable) | 3000K | 4000K | 5000K |
| | Lumen (Tolerance : ±10%)In Luminaires | 6509 LM | 7286LM | 7309LM |
| | Efficacy (Tolerance : ±3%)In Luminaires | 120 LM/W | 135 LM/W | 135 LM/W |
| | CRI | >80 | | |
| | Color Consistency | < 7 Steps (or <7 SDCM) | | |
| | Diffuser Type | Clear PC | | |
| | Beam Angle (50%) (Tolerance : ±25%) | 210 Degree | | |
| ELECTRICAL | Input Voltage and Frequency | 277-480VAC, 50/60Hz | | |
| | PF (Tolerance : -3%) | ≥0.9 | | |
| | THD (Tolerance : +5%) | ≤20% | | |
| | Flicker Percent | < 30% | | |
| | Driver Surge protection | L-N: 4kV | | |
| | Dimmable | 0-10V dimming standard (through manual knob on the lamp) | | |
| | Equivalent | 120W CFL, 175W MHL/HPS/HID | | |
| MATERIALS | LED Brand | Lumileds | | |
| | LED Type | SMD2835 | | |
| | LED QTY | 135 pcs of 3000K + 135 pcs of 5000K | | |
| | Housing | PC + Aluminum | | |
| | Housing Color | Any colors | | |
| | Waterproof Rating | DAMP | | |
| OTHERS | Operating Temperature | -40°C TO 50°C | | |
| | Storage Temperature | -40°C TO 80°C | | |
| | Operating Humidity | 20% - 70% RH | | |
| | Storage Humidity | 10% - 75% RH | | |
| | Warranty | 5 years | | |

PRODUCT MOUNTS & ACCESSORIES



PRODUCT IMAGES & ACTUAL INSTALLATIONS



DLC SPECS

Product ID: S-WVY9QQ

X



RGL-ARIES-4-050WBCSH1-a550K

Manufacturer: RuggedGrade
Brand: RuggedGrade

PRODUCT OVERVIEW

| | |
|------------------------|---|
| Model Number | RGL-ARIES-4-050WBCSH1-a550K |
| Classification | Standard |
| Primary Use | Replacement Lamps for Outdoor Pole/Arm Mounted Decorative Luminaires (Type B) |
| Reported Input Wattage | 47 W |
| Reported Light Output | 5793 lm |
| Reported CCT | 5000 K |
| Reported CRI (Ra) | 83 |
| Product ID | S-WVY9QQ |
| DLC Family Code | BCBACQ |
| Listing Status | Listed |
| Date Qualified | 2024-03-26 |

PRODUCT INFORMATION

| | |
|--------------------------------|-----------------------------|
| Qualified Product List | Solid State Lighting |
| Technical Requirements Version | 5.1 |
| Product ID | S-WVY9QQ |
| Manufacturer | RuggedGrade |
| Brand | RuggedGrade |
| Model Number | RGL-ARIES-4-050WBCSH1-a550K |
| Parent | No |
| Classification | Standard |

PRODUCT CATEGORIZATION

[VIEW DETAILS](#)

CONTROL FEATURES

[VIEW DETAILS](#)

REPORTED PHOTOMETRIC PERFORMANCE

| | |
|------------------------|------------|
| Reported Light Output | 5793 lm |
| Reported Efficacy (AC) | 123.3 lm/W |
| Reported CCT | 5000 K |
| Reported CRI (Ra) | 83 |
| Reported R9 | 10 |
| Reported IES Rf | 85 |
| Reported IES Rg | 95 |
| Reported IES Rcs,h1 | -11 |

REPORTED ELECTRICAL PERFORMANCE

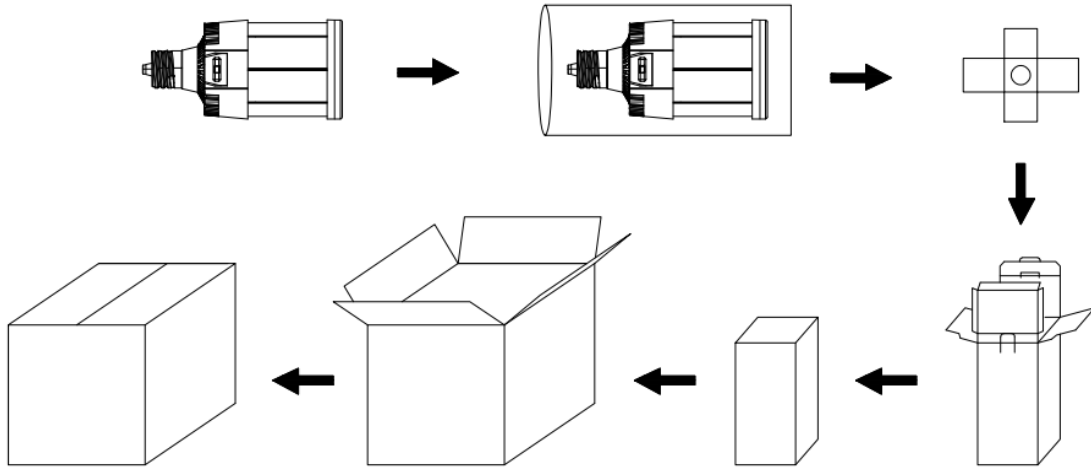
| | |
|------------------------------------|-----------|
| Reported Input Wattage | 47 W |
| Reported Total Harmonic Distortion | 15 % |
| Reported Power Factor | 0.9 |
| Reported Default Input Wattage | 47 W |
| Voltage Range | 277-480 V |



PRODUCT PACKAGING

| | Carton Size | Qty / Carton | Net Weight / Carton | Gross Weight / Carton |
|--------------|-------------------------------|--------------|---------------------|-----------------------|
| Inner Carton | 100*100*240 MM/4*4*9.45IN | 1 PC | 0.55 KG/1.213lb | 0.63KG/1.39lb |
| Outer Carton | 420*320*255 MM/16.5*12.6*10IN | 12 PCS | 6.6KG/14.55lb | 8KG/17.64lb |

*Tolerance of Carton Size: ±15 MM, Tolerance of Weight: ±10%.



PRODUCT WARNINGS

- ⚡ Please turn off power before install or change assembly parts.
- ⚡ The input voltage and lamps should be matched, after connecting the power line.
- ⚡ Please make sure the wiring section is insulated.
- ⚡ Professionals must install and disassemble the lamps.
- ⚡ Surge is the number 1 cause of LED light failure. Outdoor lights must have surge at fixture, pole, and breaker.
- ⚡ Surge is the number 1 cause of LED light failure. Indoor lights must have surge at fixture and breaker.

PRODUCT TROUBLESHOOTING

| Issue | Check points |
|-----------------------------|--|
| Light Flickers | Check all wiring for disconnections, shorts and burnt wiring and connections. Confirm steady input voltage to the light fixture, fluctuating input voltage will harm the LED driver and can lead to premature failure. Lights with photocells can have photocell tag from ambient light or light reflecting at the sensor. Simply cover the photocell completely and see if flickering continues while the photocell is covered. Call Tech Support for help if none of the above solves the issue. |
| Light does not work at all. | Check all wiring for disconnections, shorts and burnt wiring and connections. Confirm steady input voltage to the light fixture, fluctuating input voltage will harm the LED driver and can lead to premature failure. If input voltage is not in the voltage range of the fixture, you will need to find the source of your input voltage issue. Call Tech Support for help if none of the above solves the issue. |

For more technical information, install questions, troubleshooting help or warranty claims, we have a dedicated US Tech and Customer Support Team to help solve any issues you have and can be reached by email or phone. If you need help with any of our products, we are here for you so that you are never in the dark!

**BETTER LIGHTS.
BETTER SUPPORT.**

