

80W WALL MOUNT | LED FLOODLIGHT



PRODUCT DESCRIPTION

Ultimate Versatility in Lighting! Whether you need to mount it over your drive way or on an eave this new flood light has got you covered!

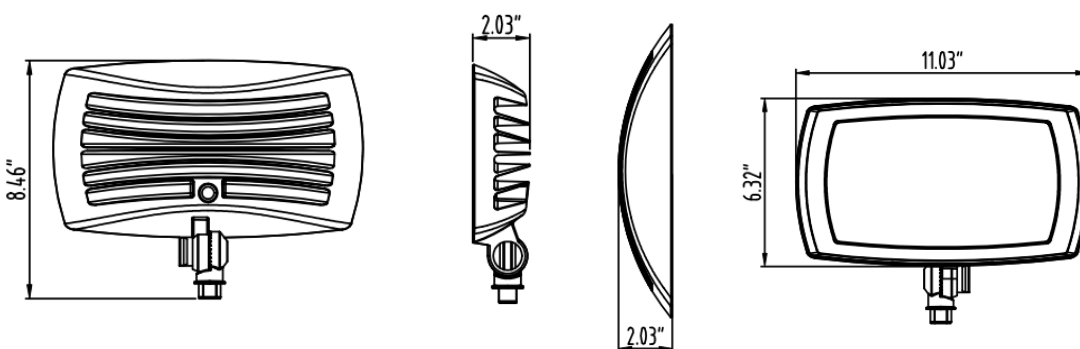


PART #: RGL-80W-WALL

PRODUCT FEATURES & COMMON USE APPLICATIONS

- Bridgelux Chip, high CRI
- IP65 driver,
- input voltage 120VAC.
- No UV or IR in the beam.
- Easy to install and operate.
- Energy saving, long lifespan.
- Light is soft and uniform, safe to eyes.
- Instant start, NO flickering, NO humming.
- Green and eco-friendly without mercury.
- Outdoor basketball court, tennis court.
- Badminton court, the football field.
- The school playground, stadium.
- Community leisure entertainment plaza,
- Warehouse, factory and workshops ;
- Highway toll station ;
- Meeting room, exhibition hall ;
- Gymnasium and supermarkets, etc.

PRODUCT DIMENSIONS



LEGENDARY USA SUPPORT

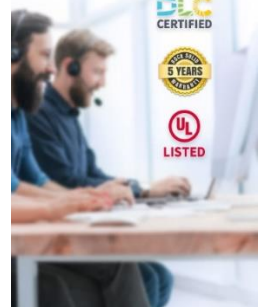


US based
phone and online
customer support

DLC
CERTIFIED

5 YEARS
WARRANTY

UL
LISTED



Rugged Grade Lighting
Industrial Grade Solutions



888-953-2476
sales@ruggedgrade.com



PRODUCT TECHNICAL SPECIFICATIONS

OPTICAL	Input Power (Tolerance : $\pm 10\%$)	80W
	Color Temperature (Color Tunable)	4000K
	Lumen(Tolerance: $\pm 10\%$)	8000LM
	Efficacy(Tolerance : $\pm 3\%$)	100 LM/W
	CRI	>70
	Color Consistency	<7 Steps (or <7 SDCM)
	Distribution Pattern	7H7V
	Field Angle (10%) (Tolerance : $\pm 15\%$)	150 Degree
ELECTRICAL	Input Voltage and Frequency	120VAC, 50/60Hz
	PF (Tolerance : -3%)	≥ 0.9
	THD (Tolerance : +5%)	$\leq 20\%$
	Flicker Percent	<30%
	Driver Brand	RUGGED GRADE
	Driver Model	RG-80W-120V
	Driver Surge protection	L/N-PE: 2.5kV, L-N: 2.5kV
	Dimming	0-10V dimming standard
	Sensor Type	No Sensor
	Optional Accessory	Surge-protective Device
	MATERIALS	LED Brand
LED Type		SMD2835
LED QTY		128 PCS*2
Housing		Die-cast aluminum
Housing Color		Dark Bronze
Waterproof Rating		WET (IP65)
Operating Temperature		-30°C TO 40°C;
OTHERS	Storage Temperature	-40°C TO 80°C
	Operating Humidity	20% - 90% RH
	Storage Humidity	20% - 95% RH
	Weight	2.87 lbs
	Warranty	5-Year

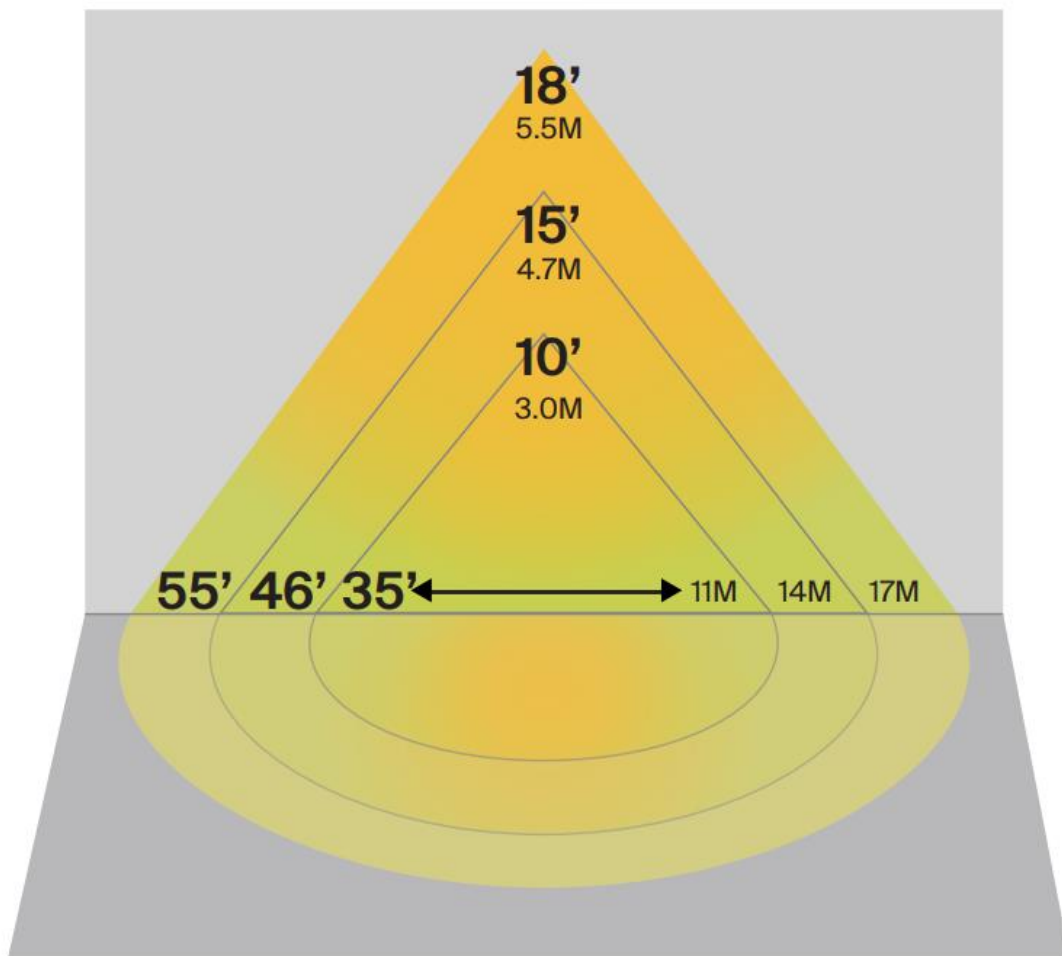
PRODUCT MOUNTS & ACCESSORIES



PRODUCT INSTALL IMAGE



PHOTOMETRICS



PRODUCT WARNINGS

- ⚠ Please turn off power before install or change assembly parts.
- ⚠ The input voltage and lamps should be matched, after connecting the power line.
- ⚠ Please make sure the wiring section is insulated.
- ⚠ Professionals must install and disassemble the lamps.
- ⚠ Surge is the number 1 cause of LED light failure. Outdoor lights must have surge at fixture, pole, and breaker.
- ⚠ Surge is the number 1 cause of LED light failure. Indoor lights must have surge at fixture and breaker.

PRODUCT TROUBLESHOOTING

Issue	Check points
Light Flickers	Check all wiring for disconnections, shorts and burnt wiring and connections. Confirm steady input voltage to the light fixture, fluctuating input voltage will harm the LED driver and can lead to premature failure. Lights with photocells can have photocell tag from ambient light or light reflecting at the sensor. Simply cover the photocell completely and see if flickering continues while the photocell is covered. Call Tech Support for help if none of the above solves the issue.
Light does not work at all.	Check all wiring for disconnections, shorts and burnt wiring and connections. Confirm steady input voltage to the light fixture, fluctuating input voltage will harm the LED driver and can lead to premature failure. If input voltage is not in the voltage range of the fixture, you will need to find the source of your input voltage issue. Call Tech Support for help if none of the above solves the issue.

For more technical information, install questions, troubleshooting help or warranty claims, we have a dedicated US Tech and Customer Support Team to help solve any issues you have and can be reached by email or phone. If you need help with any of our products, we are here for you so that you are never in the dark!

BETTER LIGHTS. BETTER SUPPORT.

