

PRODUCT DESCRIPTION

The Top Rated Mongoose Series Gets Better! The NextGen IV Series has 145+ Lumens per Watt, bigger VP driver and is UL Rated! New pop open Compartment for fast access and optional easy twist in Daylight Sensor that can be programmed by a remote.

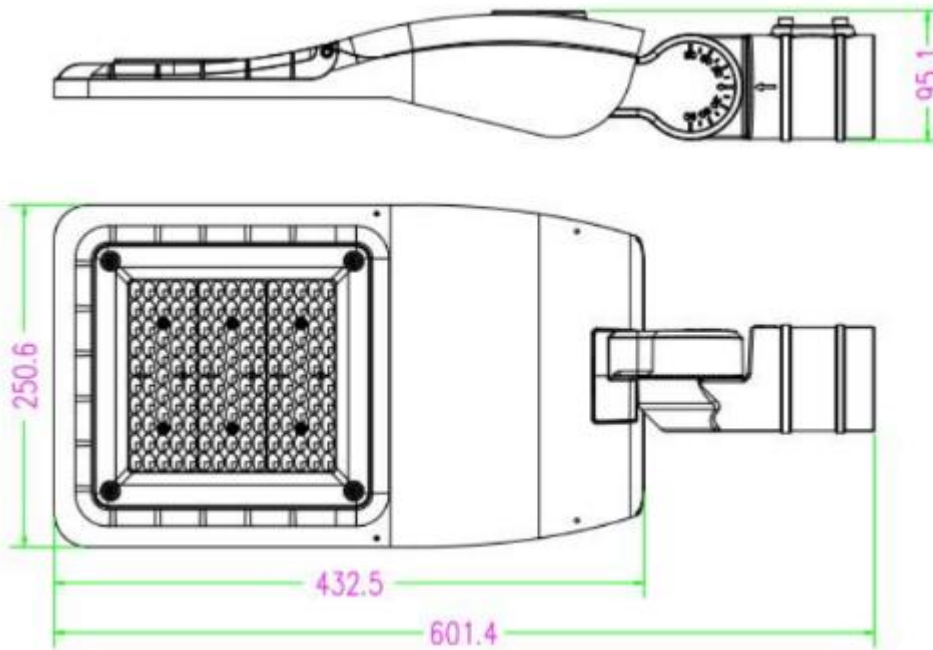


#: RGL-MONGOOSE-120W

PRODUCT FEATURES & COMMON USE APPLICATIONS

- Lumileds Chip, high CRI;
- Input voltage 120-277VAC;
- Output constant current lever can be;
- adjusted through output cable with 0-10V;
- No UV or IR in the beam;
- Easy to install and operate;
- Energy saving, long lifespan;
- Light is soft and uniform, safe to eyes;
- Instant start, NO flickering, NO humming;
- Green and eco-friendly without mercury;
- Outdoor basketball court, tennis court;
- Badminton court, the football field;
- The school playground, stadium;
- Community leisure entertainment plaza, road lamp etc;

PRODUCT DIMENSIONS



LEGENDARY USA SUPPORT





PRODUCT TECHNICAL SPECIFICATIONS

OPTICAL	Input Power (Tolerance : ±10%)	120W
	Color Temperature	5000K
	Lumen (Tolerance : ±10%)	17400 LM
	Efficacy (Tolerance : ±3%)	145 LM/W
	CRI	>80
	Color Consistency	< 6 Steps (or < 6 SDCM)
	Distribution Pattern	150 x 70°(TYPE II)
	Beam Angle (50%) (Tolerance : ±5%)	150*70 Degree
	Input Voltage and Frequency	120-277VAC, 50/60Hz
ELECTRICAL	PF (Tolerance : -3%)	≥0.9
	THD (Tolerance : +5%)	≤20%
	Flicker Percent	< 5%
	Driver Brand	RuggedGrade Lighting
	Driver Model	RuggedGrade Lighting Driver
	Driver Surge protection	L/N-PE: 10kV, L-N: 6kV
	Dimming	0-10V dimming standard
	Sensor Type	Occupancy Sensor, Exterior Photocell, Integral Sensor Receptacle
	Optional Accessory	Photocontrol, Surge-protective Device, DC Motion Microwave sensor,
MATERIALS	LED Brand	Lumileds
	LED Type	SMD2835
	LED QTY	147 PCS
	Housing	Die-cast aluminum
	Housing Color	Brown, Black, or Customized
	Waterproof Rating	WET (IP65)
	Operating Temperature	Without Motion Sensor: -40°C TO 50°C; With Motion Sensor: -35°C TO 50°C
OTHERS	Storage Temperature	-40°C TO 90°C
	Operating Humidity	10% - 90% RH
	Storage Humidity	5% - 95% RH
	Warranty	5 years

PRODUCT MOUNTS & ACCESSORIES



PRODUCT IMAGES & ACTUAL INSTALLATIONS



PHOTOMETRICS

Luminaire Property

Luminaire Manufacturer:
Voltage: 121.0 V
Power: 121.80 W

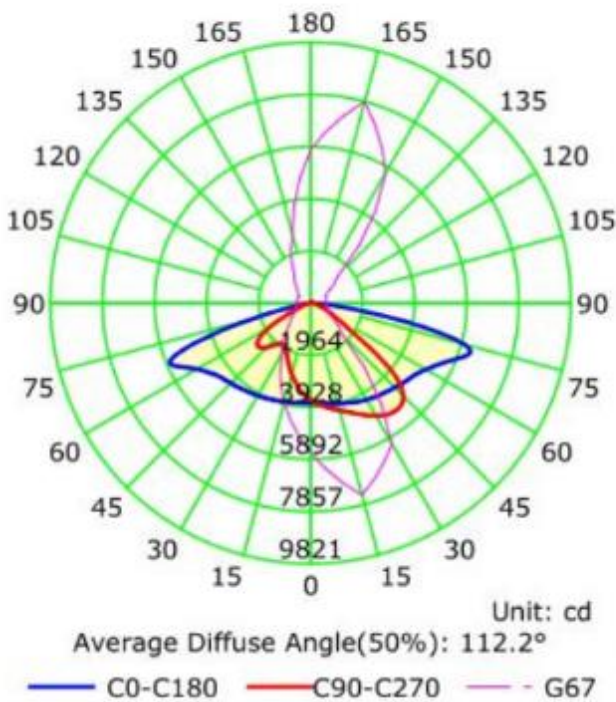
Current: 1.011 A
Power Factor: 0.996

Photometric Results

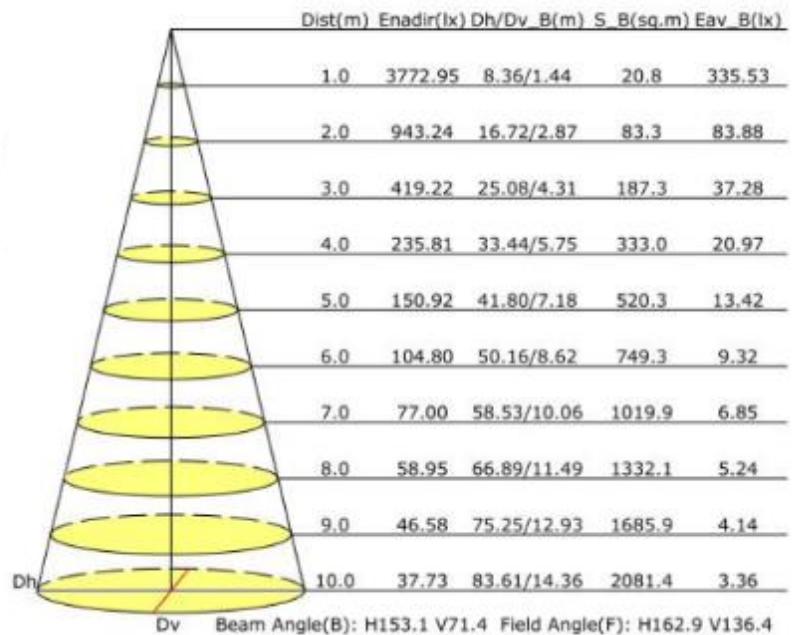
IES Classification: Type II
Total Rated Lamp Lumens: 15810.8 lm
Efficiency: 100%
Upward Ratio: 1%
Central Intensity: 3772.95 cd
Pos of Max. Intensity: H165 V67

Longitudinal Classification: Medium
Measurement Flux: 15810.8 lm
Downward Ratio: 99%
Luminaire Efficacy Rating (LER): 129.86
Max. Intensity: 7857.03 cd

Luminous Intensity Distribution Curve



Illuminance at a Distance(Beam Angle)



DLC

Product ID: S-28NBGP

X



RGL-MONGOOSE-120WJT2A1-abcde50

Manufacturer: RuggedGrade
Brand: RuggedGrade



PRODUCT OVERVIEW

Model Number	RGL-MONGOOSE-120WJT2A1-abcde50
Classification	Premium
Primary Use	Outdoor Pole/Arm-Mounted Area and Roadway Luminaires
Reported Input Wattage	121.8 W
Reported Light Output	16700 lm
Reported CCT	5000 K
Reported CRI (Ra)	72
Product ID	S-28NBGP
DLC Family Code	SLFAII
Listing Status	Listed
Date Qualified	2023-03-06

PRODUCT INFORMATION

Qualified Product List	Solid State Lighting
Technical Requirements Version	5.1
Product ID	S-28NBGP
Manufacturer	RuggedGrade
Brand	RuggedGrade
Model Number	RGL-MONGOOSE-120WJT2A1-abcde50
Parent	No
Classification	Premium

PRODUCT CATEGORIZATION

[VIEW DETAILS](#)

CONTROL FEATURES

[VIEW DETAILS](#)

REPORTED PHOTOMETRIC PERFORMANCE

Reported Light Output	16700 lm
Reported Efficacy (AC)	137.07 lm/W
Reported CCT	5000 K
Reported CRI (Ra)	72
Reported RS	-36
Reported IES Rf	75
Reported IES Rg	93
Reported IES Rcs,h1	-18

REPORTED ELECTRICAL PERFORMANCE

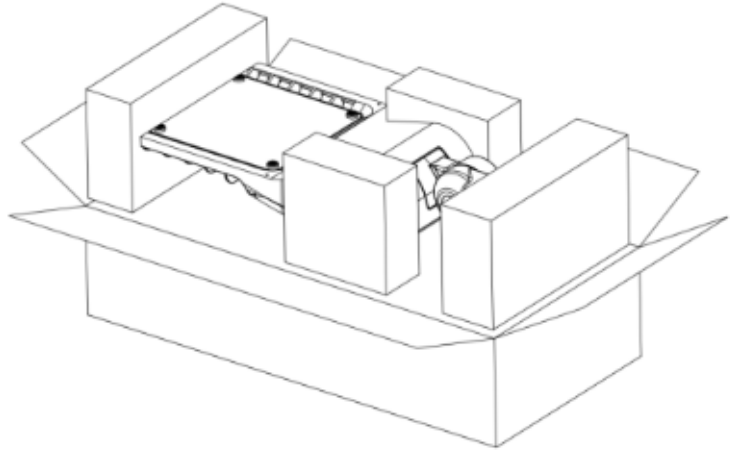
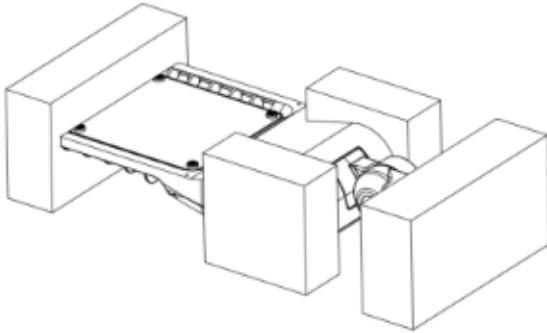
Reported Input Wattage	121.8 W
Reported Total Harmonic Distortion	3.7 %
Reported Power Factor	0.9
Reported Maximum Input Wattage	121.8
Reported Default Input Wattage	121.8 W
Voltage Range	100-277 V



PRODUCT PACKAGING

Lamps Net Weight: 4.4 Kg/pc

	Size	Qty/ Carton	Weight/ Carton
Outer box	665 x 320 x 165mm	1	5.4 KG



PRODUCT WARNINGS

- ⚠ Please turn off power before install or change assembly parts.
- ⚠ The input voltage and lamps should be matched, after connecting the power line.
- ⚠ Please make sure the wiring section is insulated.
- ⚠ Professionals must install and disassemble the lamps.
- ⚠ Surge is the number 1 cause of LED light failure. Outdoor lights must have surge at fixture, pole, and breaker.
- ⚠ Surge is the number 1 cause of LED light failure. Indoor lights must have surge at fixture and breaker.

PRODUCT TROUBLESHOOTING

Issue	Check points
Light Flickers	Check all wiring for disconnections, shorts and burnt wiring and connections. Confirm steady input voltage to the light fixture, fluctuating input voltage will harm the LED driver and can lead to premature failure. Lights with photocells can have photocell tag from ambient light or light reflecting at the sensor. Simply cover the photocell completely and see if flickering continues while the photocell is covered. Call Tech Support for help if none of the above solves the issue.
Light does not work at all.	Check all wiring for disconnections, shorts and burnt wiring and connections. Confirm steady input voltage to the light fixture, fluctuating input voltage will harm the LED driver and can lead to premature failure. If input voltage is not in the voltage range of the fixture, you will need to find the source of your input voltage issue. Call Tech Support for help if none of the above solves the issue.

For more technical information, install questions, troubleshooting help or warranty claims, we have a dedicated US Tech and Customer Support Team to help solve any issues you have and can be reached by email or phone. If you need help with any of our products, we are here for you so that you are never in the dark!

BETTER LIGHTS. BETTER SUPPORT.

