

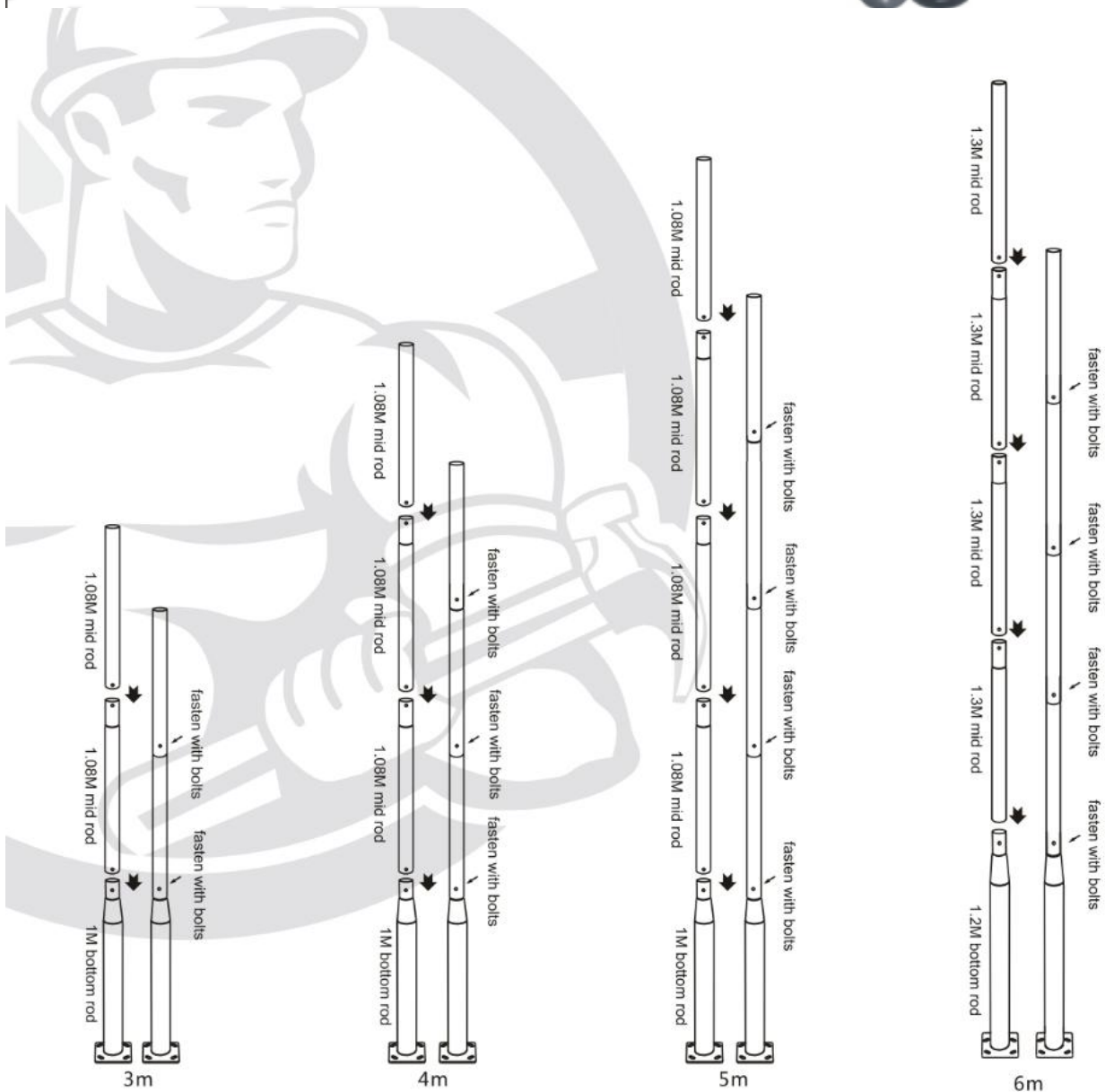


TORIN SERIES SPLIT LIGHT POLE

Installation steps

Engage the second middle rod with the bottom rod by aligning the screw holes and securing the connection using bolts. Insert the first middle rod into the second middle rod and fasten them with bolts. Subsequently, install the top rod into the first middle rod and secure with bolts to finalize the assembly.

The configuration of connecting rods varies according to the required height; reference the accompanying diagrams for detailed specifications."





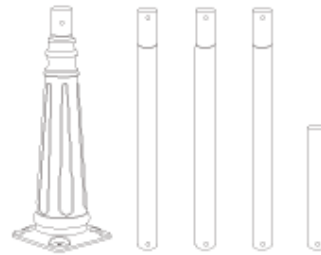
SPLICING LAMP POLE SPECIFICATION

► 1. ORDERING INFORMATION

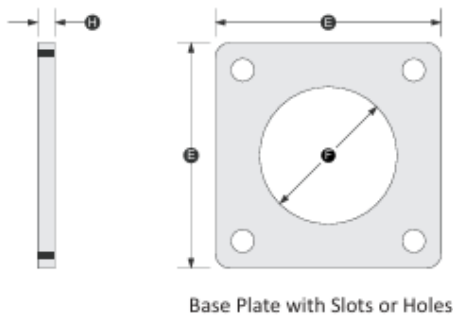
SP	1.3mm	3.25m	B	A1	
Pole Type	Thickness	Height	Finish	Anchor Bolt	Internal Code
Split Pole	1.3mm	2.75m 3.25m 3.75m 4.25m	B Black W White	A1 18x30cm A2 18x50cm	Alphanumeric

► 2. TECHNICAL DETAILS

Pole Height (m)	Thickness (mm)	Weight (kg)
2.75	1.3	13
3.25	1.3	15
3.25	1.3	16
3.75	1.3	18
4.25	1.3	21

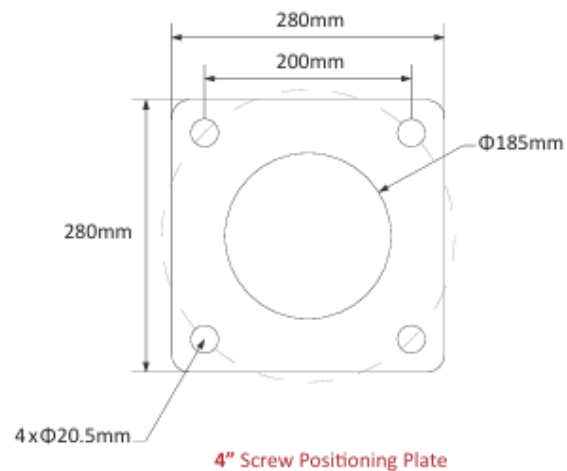


► 3. ANCHORAGE DETAIL



Wall thick (H)	Base Plate Square (E)	Bolt Circle (F)
2.2mm	280mm	185mm

► 4. DIMENSIONS



PRODUCT WARNINGS

- ⚡ Please turn off power before install or change assembly parts.
- ⚡ The input voltage and lamps should be matched, after connecting the power line.
- ⚡ Please make sure the wiring section is insulated.
- ⚡ Professionals must install and disassemble the lamps.
- ⚡ Surge is the number 1 cause of LED light failure. Outdoor lights must have surge at fixture, pole, and breaker.
- ⚡ Surge is the number 1 cause of LED light failure. Indoor lights must have surge at fixture and breaker.

PRODUCT TROUBLESHOOTING

Issue	Check points
Light Flickers	Check all wiring for disconnections, shorts and burnt wiring and connections. Confirm steady input voltage to the light fixture, fluctuating input voltage will harm the LED driver and can lead to premature failure. Lights with photocells can have photocell tag from ambient light or light reflecting at the sensor. Simply cover the photocell completely and see if flickering continues while the photocell is covered. Call Tech Support for help if none of the above solves the issue.
Light does not work at all.	Check all wiring for disconnections, shorts and burnt wiring and connections. Confirm steady input voltage to the light fixture, fluctuating input voltage will harm the LED driver and can lead to premature failure. If input voltage is not in the voltage range of the fixture, you will need to find the source of your input voltage issue. Call Tech Support for help if none of the above solves the issue.

For more technical information, install questions, troubleshooting help or warranty claims, we have a dedicated US Tech and Customer Support Team to help solve any issues you have and can be reached by email or phone. If you need help with any of our products, we are here for you so that you are never in the dark!



**BETTER LIGHTS.
BETTER SUPPORT.**



CERTIFIED



LISTED



LEGENDARY RUGGEDGRADE QUALITY
LEGENDARY USA SUPPORT



US based
phone and online
customer support



ROCK SOLID
5 YEARS
WARRANTY