

Pole Specifications

FEATURES

FINISH:

Textured architectural bronze powder-coat finish, baked to ensure maximum paint adhesion, hardness and durability.

ANCHOR BOLTS:

Anchor bolts are not included, sized based on pole data charts for the selected pole size.

HAND HOLE:

Cast iron reinforced hand hole and cover with ground screw.

BASE COVER:

Poles are provided with a two-piece formed steel base cover that is easily assembled and fitted over pole base.

POLE LENGTH:

Poles are available in standard lengths as shown in the order matrix. Poles can be custom cut to order. Consult factory.

SURFACE TREATMENT: Hot-dip galvanizing.

SPECIFICATIONS: Conforms to ASTM-A 500 Grade B: Minimum Yield Strength of 46,000 PSI.

10FT	15FT	20FT	25FT	30FT
L = 3.0 (m)	L = 4.6 (m)	L = 6.1 (m)	L = 7.6 (m)	L = 9.1 (m)

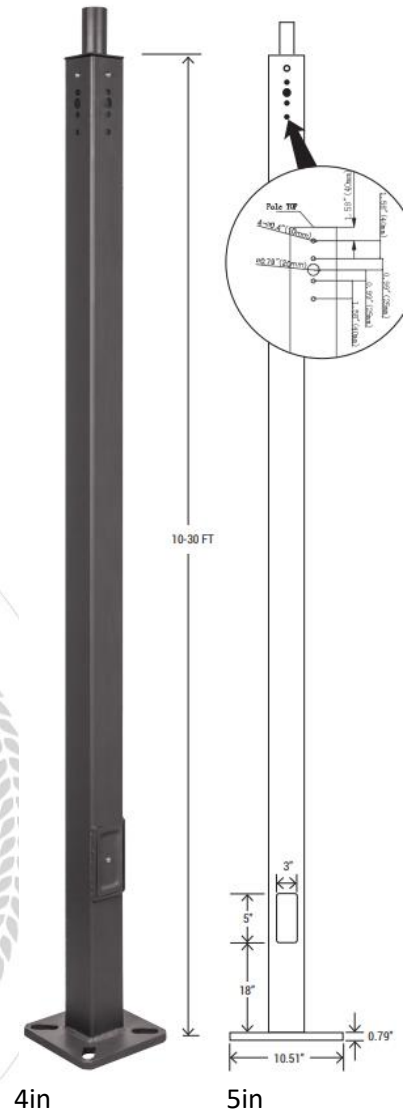
MOUNTING OPTIONS



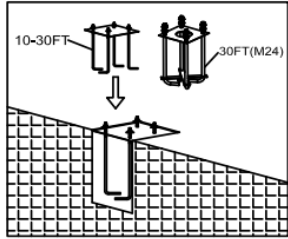
SIDE MOUNT: Standard length poles are predrilled holes on 4 side, with a Tenon standard packaged on top. Also with hole plugs for unused predrilled locations.

Note: When using Arm or Slip-Fitter Mounts, additional installation parts may be required to ensure proper installation. (example: with Slip-fitter a bullhorn will be the option) [see: additional installation parts for more options](#)

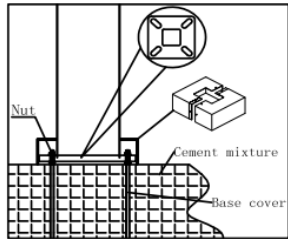
TOP MOUNT: Installing ARM (optional) will need to take-off the Tenon standard package and put rain cover on top.



INSTALLATION INSTRUCTIONS

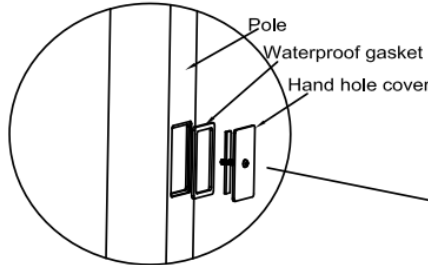


1. Dig a hole in the installation position of the lamp pole. Fixed four fastener fittings according to the hole position of lamp pole and poured with cement concrete. (as shown in the figure)

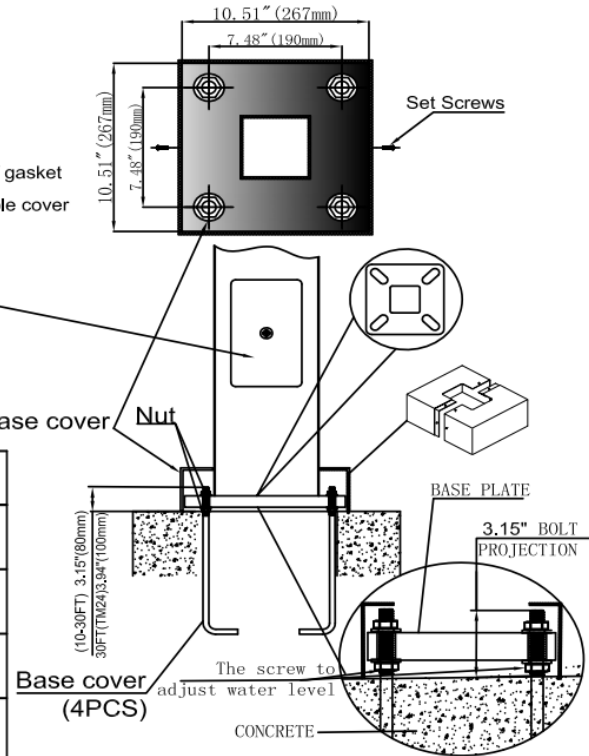


2. Install 4 screws onto the stick and adjust to same water level, then place the square plate and screw tightly. Install the cover at the bottom of pole. (as shown in the figure)

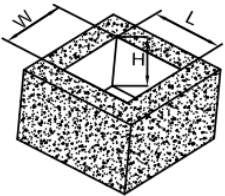
3"X5" HAND HOLE COVER



ANCHORAGE GUIDE



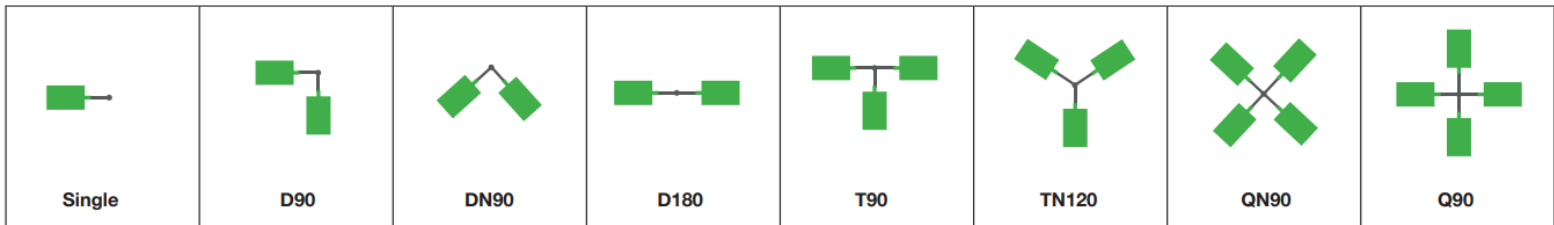
Foundation reference specification



Reference design of Concrete size			
Specifications	L	W	H
10-15FT	31.5"(800mm)	31.5"(800mm)	59.1"(1500mm)
20-25FT	35.4"(900mm)	35.4"(900mm)	70.9"(1800mm)
30FT	35.4"(900mm)	35.4"(900mm)	82.7"(2100mm)

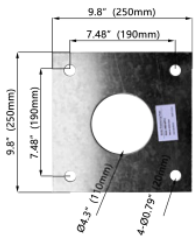
Foundation Design: We offer Foundation design references due to variations in soil structure across different areas, and we do not assume any responsibility for this variability.

FIXTURE CONFIGURATIONS



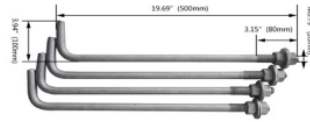
ACCESSORIES

MOUNTING OPTIONS:



Anchor Bolt Positioning Plate WSD-SPP-D

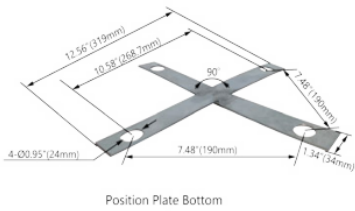
This is a screw rod positioning plate. After the screw rod of the lamp rod base is fixed underground, the positioning plate is fixed with the screw rod to prevent the screw rod from deviation. Finally, the lamp rod is locked.



Anchor Bolt WSD-BMS-S

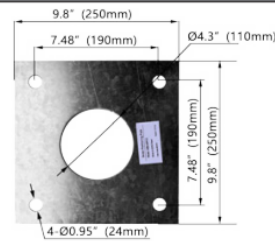
Before installing the lamp pole, the installation hook should be buried underground and fixed by cement. After fixing, the lamp pole should be fixed by locking screw and base installed.

30FT Light Pole Optional Accessories:



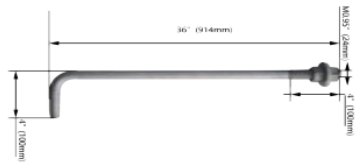
Cross Screw Positioning Plate WSD-SPP250-BM24

This is a screw bottom cross positioning plate. It is used in conjunction with the top positioning plate WSD-SPP250-TM24 and WSD-BM24SL914-S to fix the positioning plate with the screw to prevent the screw from deviating. Finally, the lamp pole locks.



Anchor Bolt Positioning Plate WSD-SPP250-TM24

This is a screw rod positioning plate. After the screw rod of the lamp rod base is fixed underground, the positioning plate is fixed with the screw rod to prevent the screw rod from deviation. Finally, the lamp rod is locked. (It is used in conjunction with WSD-SPP250-BM24 and WSD-BM24SL914-S).

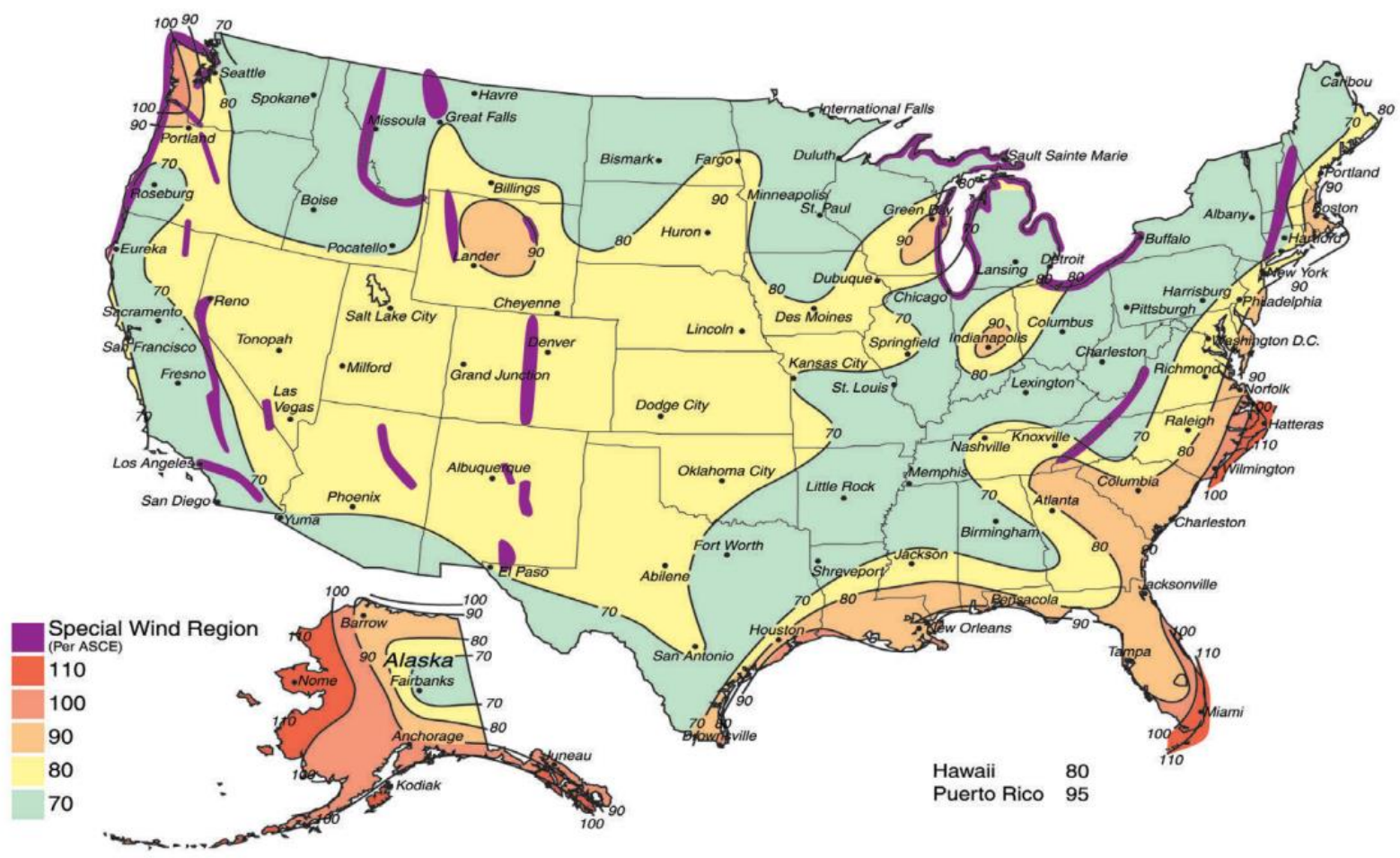


Anchor Bolt WSD-BM24SL914-S

Before installing the lamp pole, the installation hook should be buried underground and fixed by cement. After fixing, the lamp pole should be fixed by locking screw and base installed. (It is used in conjunction with WSD-SPP250-BM24 and WSD-SPP250-TM24).



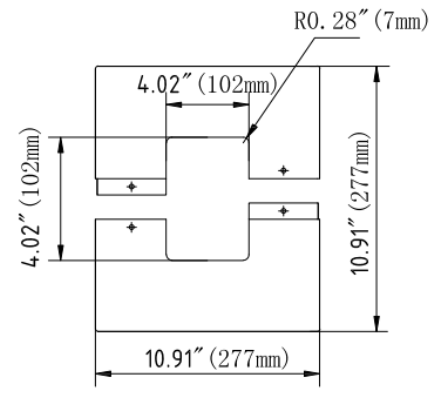
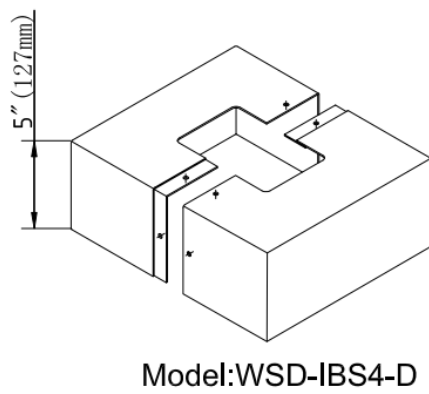
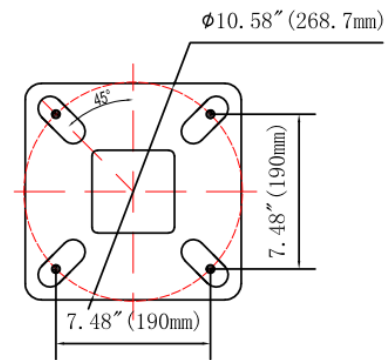
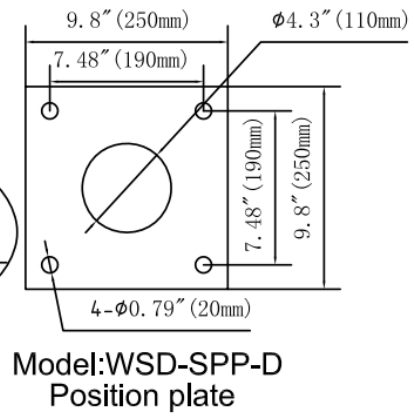
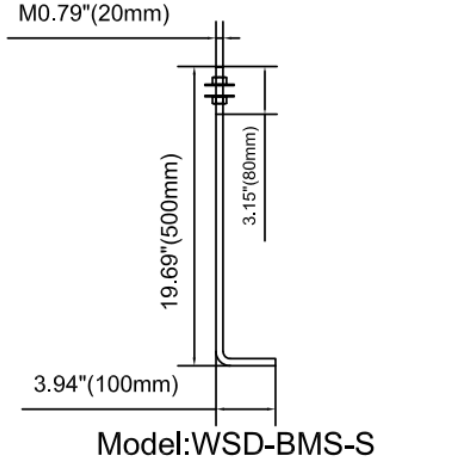
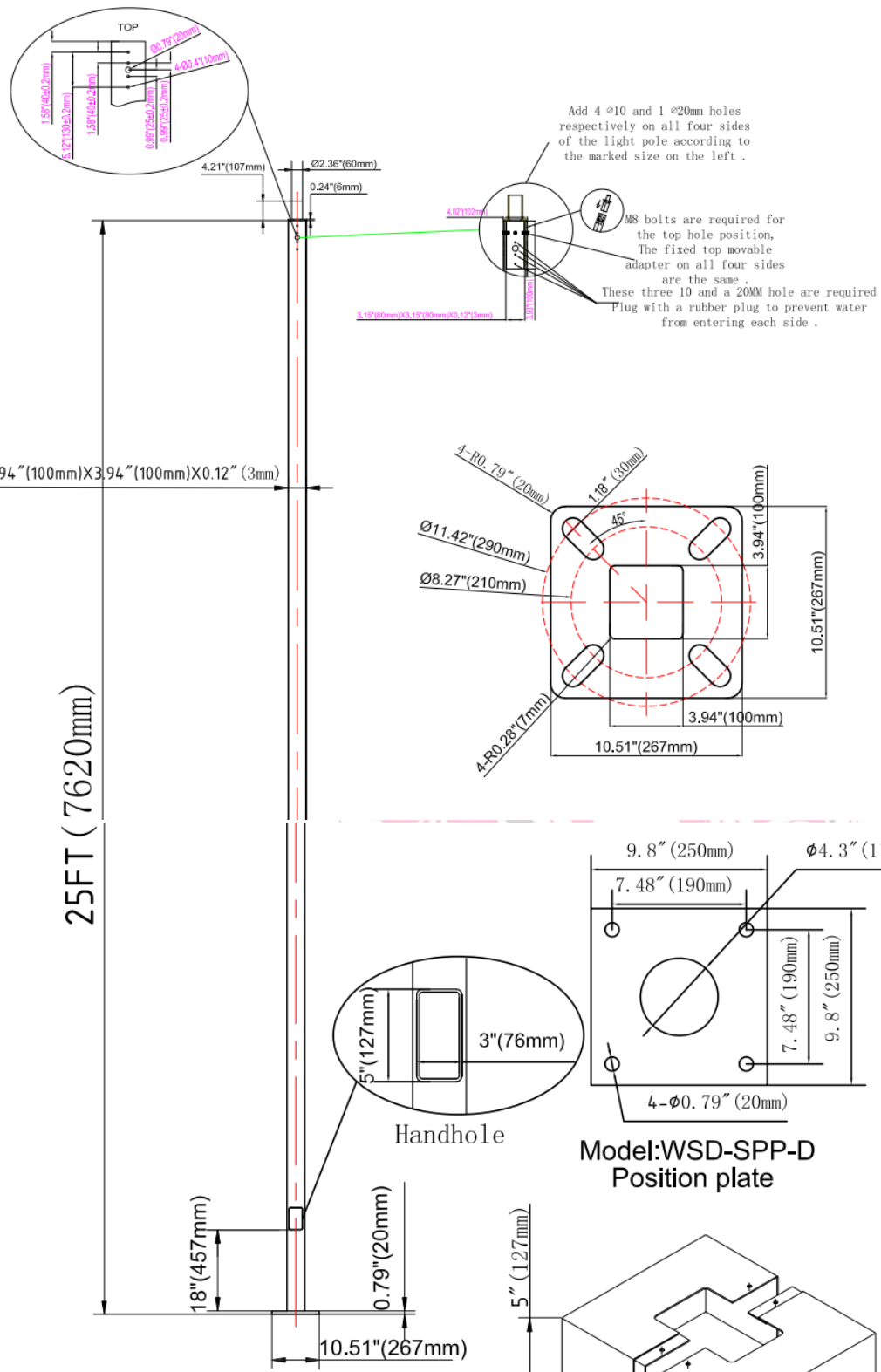
WIND SPEED MAP



DETAILED DIMENSIONS SCHEMATIC

DRAWING 1A

MODEL#	
PROJECT:	
NOTES:	
DATE:	
APPROVED BY:	
WEIGHT	
Pole:190 LBS/PC	Anchor Bolt:10.5 LBS/SET
Install Base Shield:10LBS/PC	Positioning Plate:0.5 LBS/PC



PRODUCT WARNINGS

- ⚡ Please turn off power before install or change assembly parts.
- ⚡ The input voltage and lamps should be matched, after connecting the power line.
- ⚡ Please make sure the wiring section is insulated.
- ⚡ Professionals must install and disassemble the lamps.
- ⚡ Surge is the number 1 cause of LED light failure. Outdoor lights must have surge at fixture, pole, and breaker.
- ⚡ Surge is the number 1 cause of LED light failure. Indoor lights must have surge at fixture and breaker.

PRODUCT TROUBLESHOOTING

Issue	Check points
Light Flickers	Check all wiring for disconnections, shorts and burnt wiring and connections. Confirm steady input voltage to the light fixture, fluctuating input voltage will harm the LED driver and can lead to premature failure. Lights with photocells can have photocell tag from ambient light or light reflecting at the sensor. Simply cover the photocell completely and see if flickering continues while the photocell is covered. Call Tech Support for help if none of the above solves the issue.
Light does not work at all.	Check all wiring for disconnections, shorts and burnt wiring and connections. Confirm steady input voltage to the light fixture, fluctuating input voltage will harm the LED driver and can lead to premature failure. If input voltage is not in the voltage range of the fixture, you will need to find the source of your input voltage issue. Call Tech Support for help if none of the above solves the issue.

For more technical information, install questions, troubleshooting help or warranty claims, we have a dedicated US Tech and Customer Support Team to help solve any issues you have and can be reached by email or phone. If you need help with any of our products, we are here for you so that you are never in the dark!

BETTER LIGHTS. BETTER SUPPORT.



CERTIFIED



LISTED



LEGENDARY RUGGEDGRADE QUALITY
LEGENDARY USA SUPPORT



US based
phone and online
customer support



ROCK SOLID
5 YEARS
WARRANTY