



Pole Specifications

FEATURES

FINISH:

Textured architectural bronze powder-coat finish, baked to ensure maximum paint adhesion, hardness and durability.

ANCHOR BOLTS:

Anchor bolts are not included, sized based on pole data charts for the selected pole size.

HAND HOLE:

Cast iron reinforced hand hole and cover with ground screw.

BASE COVER:

Poles are provided with a two-piece formed steel base cover that is easily assembled and fitted over pole base.

POLE LENGTH:

Poles are available in standard lengths as shown in the order matrix. Poles can be custom cut to order. Consult factory.

SURFACE TREATMENT: Hot-dip galvanizing.

SPECIFICATIONS: Conforms to ASTM-A 500 Grade B: Minimum Yield Strength of 46,000 PSI.

10FT	15FT	20FT	25FT	30FT
L = 3.0 (m)	L = 4.6 (m)	L = 6.1 (m)	L = 7.6 (m)	L = 9.1 (m)

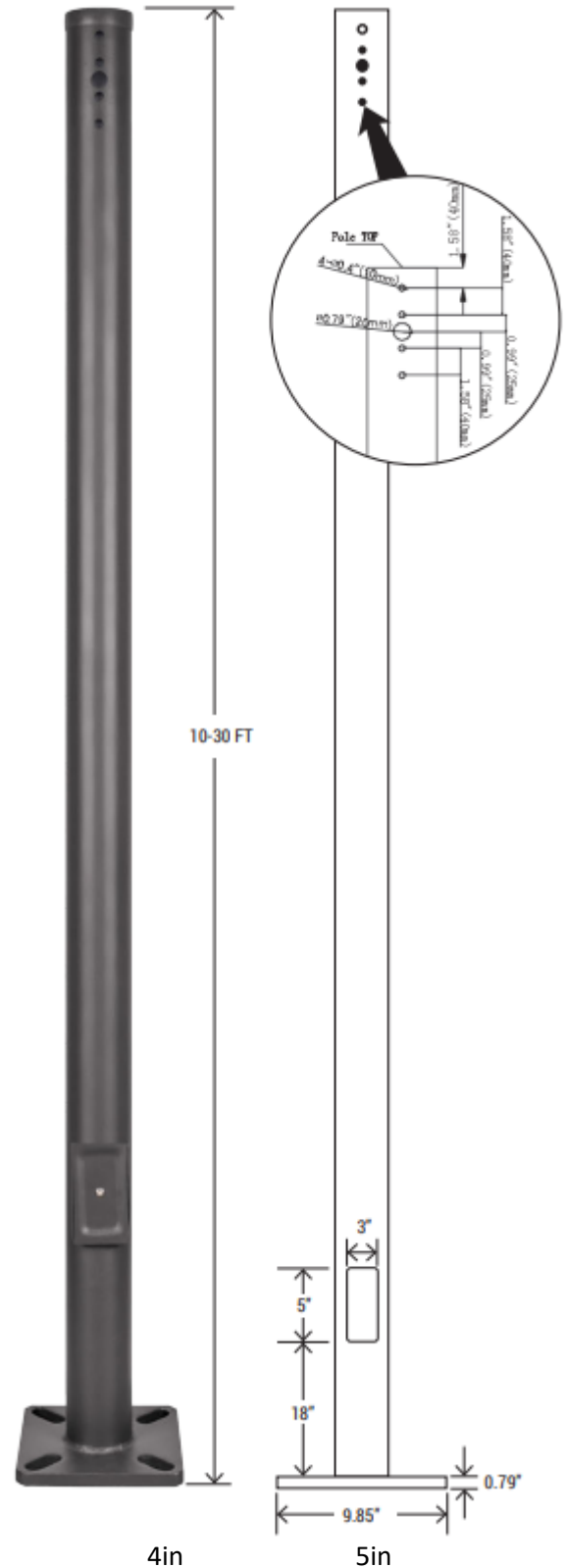
MOUNTING OPTIONS



SIDE MOUNT: Standard length poles are predrilled (2@180°), with a polycarbonate top cover and hole plugs for unused predrilled locations.

Note: When using Arm or Slip-Fitter Mounts, additional installation parts may be required to ensure proper installation. (example: Round Bar Adapter with Arm Mount or Horizontal Tenon Arc Adapter with Slip-Fitter Mount) [see: additional installation parts for more options](#)

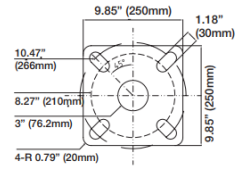
TOP MOUNT: Round Pole Tenon Adapters (optional) can be installed for a use with a Slip-Fitter or Multi-Fixture installation requiring Bullhorns, Spokes etc. (3"RND, 4"RND and 5"RND to 2 3/8" Round Tenon Adapters available)



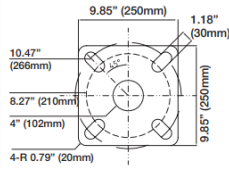
DIMENSIONS AND WEIGHT

DIMENSION

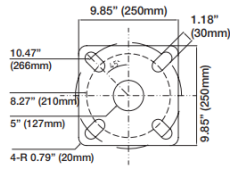
3" Flange



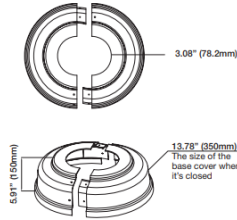
4" Flange



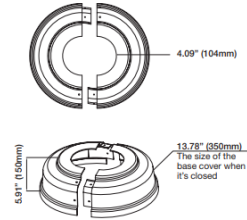
5" Flange



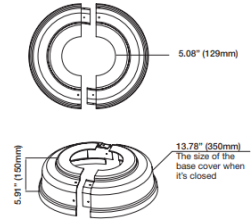
3" Flange Base Cover Size



4" Flange Base Cover Size











5" Flange Base Cover Size



HEIGHT	GAUGE	SIZE	BOLT SIZE	WEIGHT (LBS)	EPA 70	EPA 80	EPA 90	EPA 100	EPA 110	EPA 120
10ft	11	3" dia.	M0.75"X 19.69"X 3.94"	72	26.2	22.5	20.1	16.4	11.3	9.6
15ft		4" dia.		95	17.8	14.6	12.3	10.9	8.2	6.4
20ft				143	11.9	9.1	8.8	6.8	5.5	3.8
25ft				176	10.9	7.9	6.7	5.3	4.6	3.1
30ft		5" dia.	M0.75"X 19.69"X3.94"/ M0.95"X 36"X4"	242	8.5	6.6	5.7	4.2	3.2	2.1



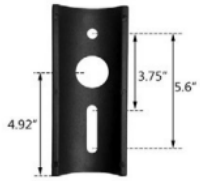
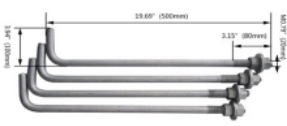
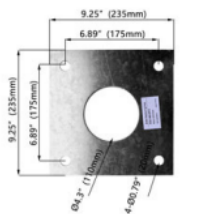
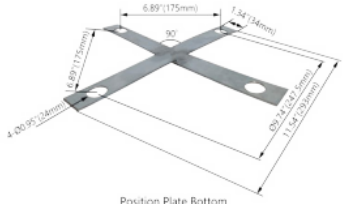

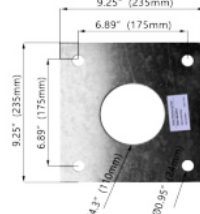
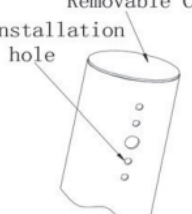
FIXTURE CONFIGURATIONS

							
Single	D90	DN90	D180	T90	TN120	QN90	Q90



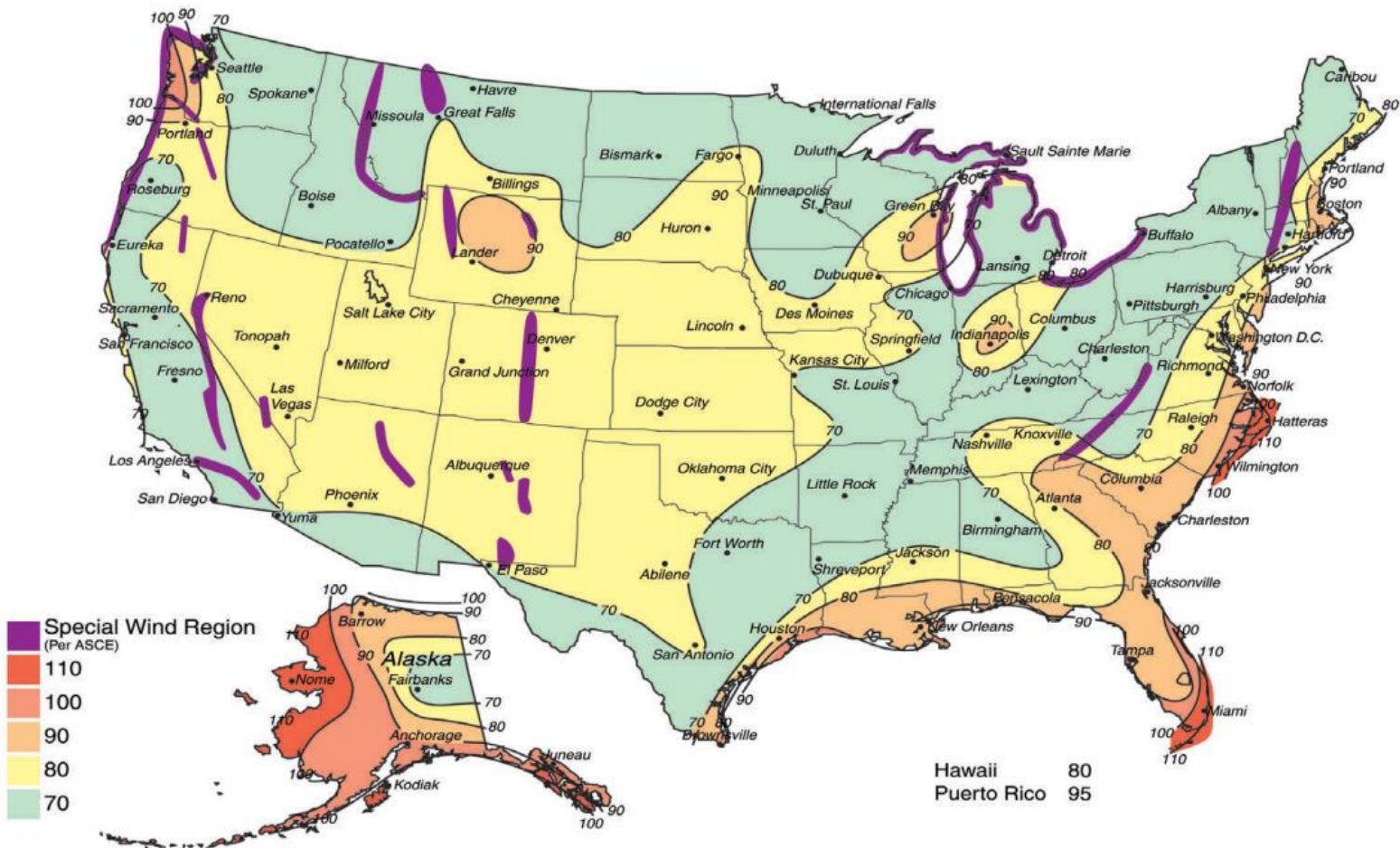
ACCESSORIES

MOUNTING OPTIONS:

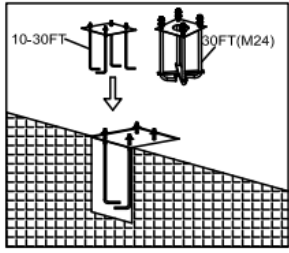
	<p>Arm Square Tube Turn Tube Tenon Adapter</p> <p>Finish: Dark Bronze Round tube light bar installation, with Arm installation of lamps.</p>		<p>Base Mounting Screw</p> <p>Before installing the lamp pole, the installation hook should be buried underground and fixed by cement. After fixing, the lamp pole should be fixed by locking screw and base installed.</p>
	<p>Anchor Bolt Positioning Plate</p> <p>This is a screw rod positioning plate. After the screw rod of the lamp rod base is fixed underground, the positioning plate is fixed with the screw rod to prevent the screw rod from deviation. Finally, the lamp rod is locked.</p>		
<h3>30FT Light Pole Optional Accessories:</h3>			
 <p>Position Plate Bottom</p>	<p>Cross Screw Positioning Plate</p> <p>This is a screw bottom cross positioning plate. It is used in conjunction with the top positioning plate WD-SPP235-TM24 and WSD-BM24SL914-S to fix the positioning plate with the screw to prevent the screw from deviating. Finally, the lamp pole locks.</p>		<p>Anchor Bolt</p> <p>Before installing the lamp pole, the installation hook should be buried underground and fixed by cement. After fixing, the lamp pole should be fixed by locking screw and base installed. (It is used in conjunction with WSD-SPP235-BM24 and WD-SPP235-TM24).</p>
	<p>Anchor Bolt Positioning Plate</p> <p>This is a screw rod positioning plate. After the screw rod of the lamp rod base is fixed underground, the positioning plate is fixed with the screw rod to prevent the screw rod from deviation. Finally, the lamp rod is locked. (It is used in conjunction with WSD-SPP235-BM24 and WSD-BM24SL914-S).</p>	<p>LIGHT POLE TOP</p>	<p>Removable Cap</p> 



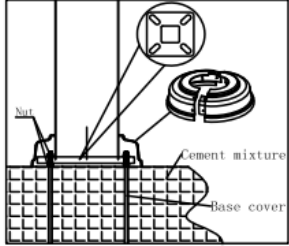
WIND SPEED MAP



DETAILED INSTALLATION SCHEMATIC

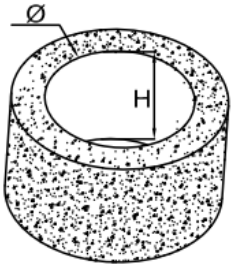


1. Dig a hole in the installation position of the lamp pole. Fixed four fastener fittings according to the hole position of lamp pole and poured with cement concrete. (as shown in the figure)



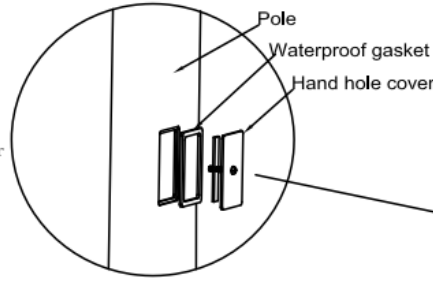
2. Install 4 screws onto the stick and adjust to same water level, then place the square plate and screw tightly. Install the cover at the bottom of pole. (as shown in the figure)

Foundation reference specification

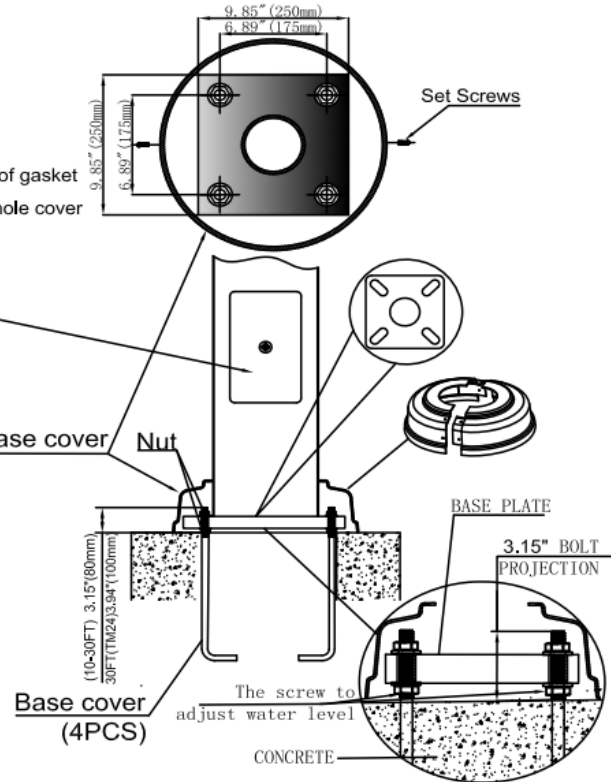


Reference design of Concrete size		
Specifications	Ø	H
10-15FT	31.5"(800mm)	59.1"(1500mm)
20-25FT	35.4"(900mm)	70.9"(1800mm)
30FT	35.4"(900mm)	82.7"(2100mm)

3"X5" HAND HOLE COVER



ANCHORAGE GUIDE



Foundation Design: We offer Foundation design references due to variations in soil structure across different areas, and we do not assume any responsibility for this variability.



PRODUCT WARNINGS

- ⚡ Please turn off power before install or change assembly parts.
- ⚡ The input voltage and lamps should be matched, after connecting the power line.
- ⚡ Please make sure the wiring section is insulated.
- ⚡ Professionals must install and disassemble the lamps.
- ⚡ Surge is the number 1 cause of LED light failure. Outdoor lights must have surge at fixture, pole, and breaker.
- ⚡ Surge is the number 1 cause of LED light failure. Indoor lights must have surge at fixture and breaker.

PRODUCT TROUBLESHOOTING

Issue	Check points
Light Flickers	Check all wiring for disconnections, shorts and burnt wiring and connections. Confirm steady input voltage to the light fixture, fluctuating input voltage will harm the LED driver and can lead to premature failure. Lights with photocells can have photocell tag from ambient light or light reflecting at the sensor. Simply cover the photocell completely and see if flickering continues while the photocell is covered. Call Tech Support for help if none of the above solves the issue.
Light does not work at all.	Check all wiring for disconnections, shorts and burnt wiring and connections. Confirm steady input voltage to the light fixture, fluctuating input voltage will harm the LED driver and can lead to premature failure. If input voltage is not in the voltage range of the fixture, you will need to find the source of your input voltage issue. Call Tech Support for help if none of the above solves the issue.

For more technical information, install questions, troubleshooting help or warranty claims, we have a dedicated US Tech and Customer Support Team to help solve any issues you have and can be reached by email or phone. If you need help with any of our products, we are here for you so that you are never in the dark!

BETTER LIGHTS. BETTER SUPPORT.





CERTIFIED



LISTED



LEGENDARY RUGGEDGRADE QUALITY



**US based
phone and online
customer support**



**5 YEARS
WARRANTY**