

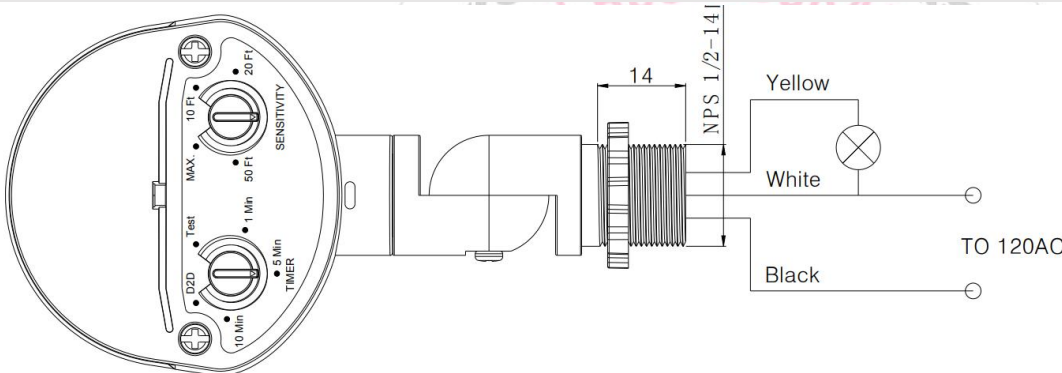
## PRODUCT FEATURES & LOCATIONS

- ✓ Test Mode + Auto Mode Manual Override
- ✓ Continuous adjustments of the sensitivity from 5 ft. to 60 ft. with max. 180° detection range
- ✓ Continuous adjustments of the Shut off delay time from 10 Sec. to 300Sec
- ✓ 8 hr Auto re-set Manual Override or re-set by flipping the switch within 3"
- ✓ Easy to install and operate
- ✓ LED Indicator will flash 1 second when sensor detect motions
- ✓ Instant start, NO flickering, NO humming
- ✓ Plastic Enclosure in PC 5VA, UV Rating
- ✓ UL & CUL approved (UL file No. E127584)

- ✓ Street Lighting
- ✓ Outdoor landscaping light
- ✓ Building, The Hotel.
- ✓ Home



## PRODUCT DIMENSIONS



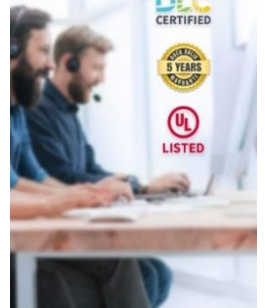
Wires in 1007 18AWG 80°C 300V

LEGENDARY USA SUPPORT

## LEGENDARY USA SUPPORT



US based phone and online customer support



## ELECTRICAL SPECIFICATIONS

<b>ELECTRICAL</b>	Input Power	120 VAC±10 % , 60Hz
	Load Rating	Max. 500W Incandescent lamp Or Max 200W LED Driver/LED bulb
	Operation Lux	OFF→ON 20-120LUX ON→OFF Max: 800LUX
	Power Consumption	Max. 0.5 Watt when stand-by
	Operation Temp	- 30°C ~ 50°C
	Part Number	RG-MS-120VAC
	LED Brand	Lumileds
	LED Type	SMD2835
	LED QTY	360



## PRODUCT WARNINGS

- ⚡ Please turn off power before install or change assembly parts.
- ⚡ The input voltage and lamps should be matched, after connecting the power line.
- ⚡ Please make sure the wiring section is insulated.
- ⚡ Professionals must install and disassemble the lamps.
- ⚡ Surge is the number 1 cause of LED light failure. Outdoor lights must have surge at fixture, pole, and breaker.
- ⚡ Surge is the number 1 cause of LED light failure. Indoor lights must have surge at fixture and breaker.

## PRODUCT TROUBLESHOOTING

Issue	Check points
Light Flickers	Check all wiring for disconnections, shorts and burnt wiring and connections. Confirm steady input voltage to the light fixture, fluctuating input voltage will harm the LED driver and can lead to premature failure. Lights with photocells can have photocell tag from ambient light or light reflecting at the sensor. Simply cover the photocell completely and see if flickering continues while the photocell is covered. Call Tech Support for help if none of the above solves the issue.
Light does not work at all.	Check all wiring for disconnections, shorts and burnt wiring and connections. Confirm steady input voltage to the light fixture, fluctuating input voltage will harm the LED driver and can lead to premature failure. If input voltage is not in the voltage range of the fixture, you will need to find the source of your input voltage issue. Call Tech Support for help if none of the above solves the issue.

**For more technical information, install questions, troubleshooting help or warranty claims, we have a dedicated US Tech and Customer Support Team to help solve any issues you have and can be reached by email or phone. If you need help with any of our products, we are here for you so that you are never in the dark!**

## BETTER LIGHTS. BETTER SUPPORT.





**CERTIFIED**



**LISTED**



**LEGENDARY RUGGEDGRADE QUALITY**



**US based  
phone and online  
customer support**



**5 YEARS  
WARRANTY**