

50W FULLY TUNABLE | LED LINEAR LIGHT



RuggedGrade

PRODUCT DESCRIPTION



The Linear series is a rugged, reliable, versatile and durable compact LED Strip Light. The linear light also offers field-adjustable lumen output in three gears: 100%, 80%, 60%; CCT options are available in three color temperatures, 3500K, 4000K and 5000K. Both are operated by a simple DIP switch. This will significantly reduce the customer's SKU and thus achieve a budget-friendly purpose.

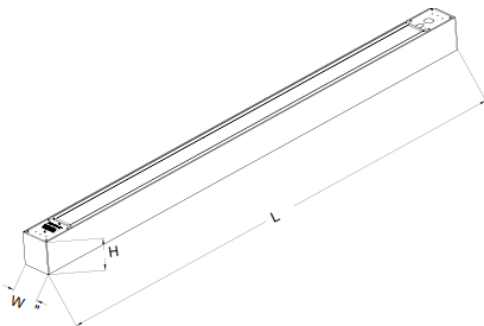


PART #: RGL-LS01-50W

PRODUCT FEATURES & COMMON USE APPLICATIONS

- UL cUL certificate.
- Wattage and Color Selectable
- Lumileds or Samsung Chip, high CRI.
- Input voltage 120-277VAC.
- Output constant current lever can be adjusted through output cable with 0-10V.
- No UV or IR in the beam.
- Easy to install and operate.
- Energy saving, long lifespan.
- Light is soft and uniform, safe to eyes.
- Instant start, NO flickering, NO humming.
- Green and eco-friendly without mercury.
- Warehouse, factory, and workshops.
- Highway toll station and gas station.
- Exhibition hall.
- Gymnasium and supermarkets, etc

PRODUCT DIMENSIONS



Model	LxWxH
JEN-LS01-4FT	1219.2x70x80(mm) / 48"x2.75"x3.14"

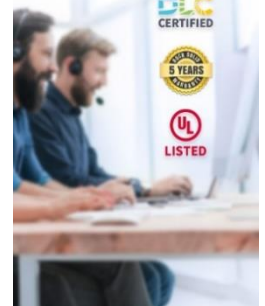
LEGENDARY USA SUPPORT



US based phone and online customer support



5 YEARS WARRANTY



Rugged Grade Lighting
Industrial Grade Solutions



888-953-2476
sales@ruggedgrade.com



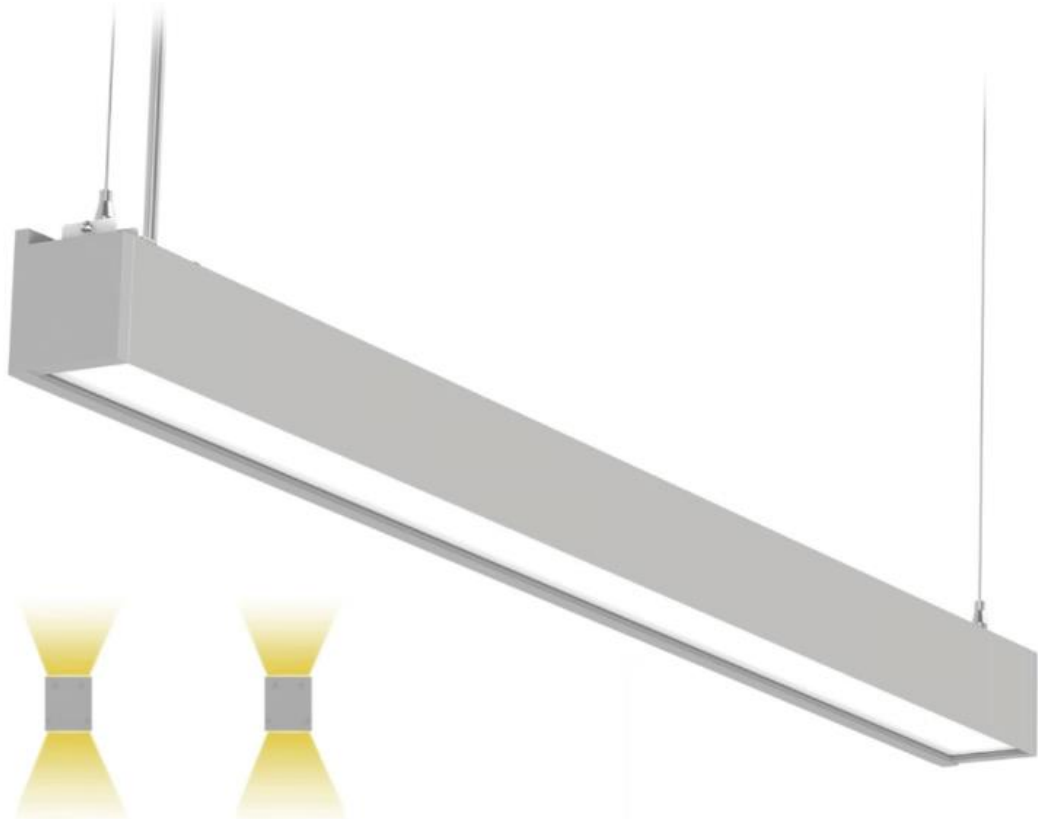
PRODUCT IMAGES & ACTUAL INSTALLATIONS

OPTICAL	Input Power (Tolerance : ±10%)	Wattage Selectable: 50/40/30 Watts		
	Color Temperature (Color Selectable)	3500K	4000K	5000K
	Lumen (Tolerance : -10%)	5750LM	5750LM	5750LM
	Efficacy (Tolerance : -3%)	115LM/W	115LM/W	115LM/W
	CRI	>80		
	Color Consistency	< 7 Steps (or < 7 SDCM)		
	UGR (Glare Rating)	< 28 (X=4H, Y=8H; S/H=1; Reflectances: 70%/50%/20%)		
	Diffuser Type	PC Lens		
	Beam Angle (50%) (Tolerance :	120 Degree		
ELECTRICAL	Input Voltage and Frequency	120-277VAC, 50/60Hz		
	PF (Tolerance : -3%)	≥0.9		
	THD (Tolerance : +5%)	≤20%		
	Flicker Percent	< 5%		
	Driver Brand	Rugged Grade Lighting		
	Driver Model	Rugged Grade Lighting Driver		
	Driver Surge protection	L/N-PE: 2kV, L-N: 1kV		
	Dimming	0-10V dimming standard		
Optional Accessory	Motion Sensor, Surge-protective Device			
MATERIALS	LED Brand	Lumileds		
	LED Type	SMD2835		
	LED QTY	280PCS		
	Housing	Die-cast aluminum		
	Housing Color	Black, White, or Customized		
	Waterproof Rating	DAMP		
OTHERS	Operating Temperature	-30°C TO 45°C		
	Storage Temperature	-40°C TO 80°C		
	Operating Humidity	-40% - 45% RH		
	Storage Humidity	10% - 95% RH		
	Warranty	NA .		

PRODUCT MOUNTS & ACCESSORIES



50W FULLY TUNABLE | LED LINEAR LIGHT

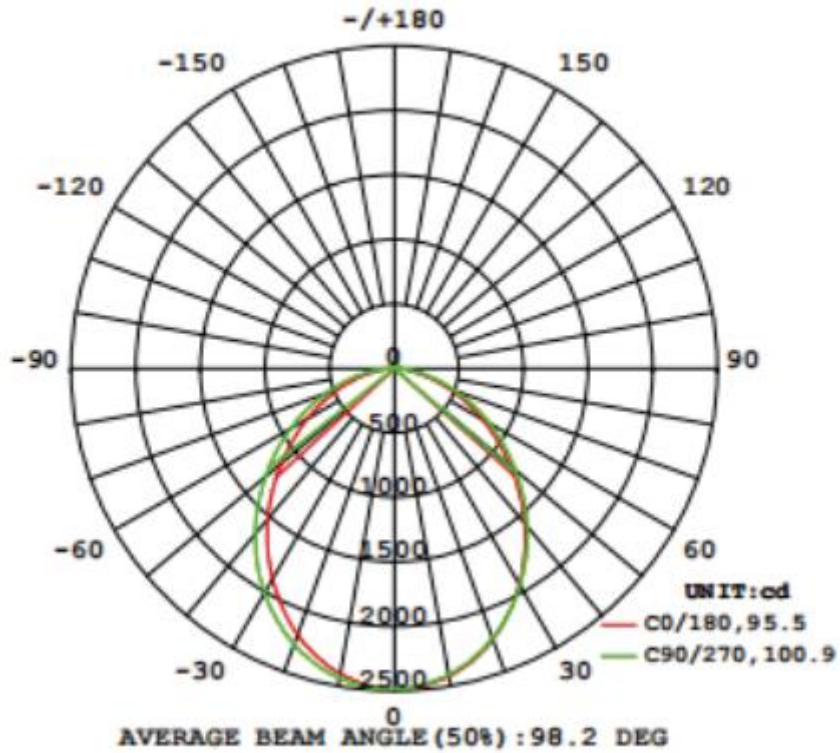
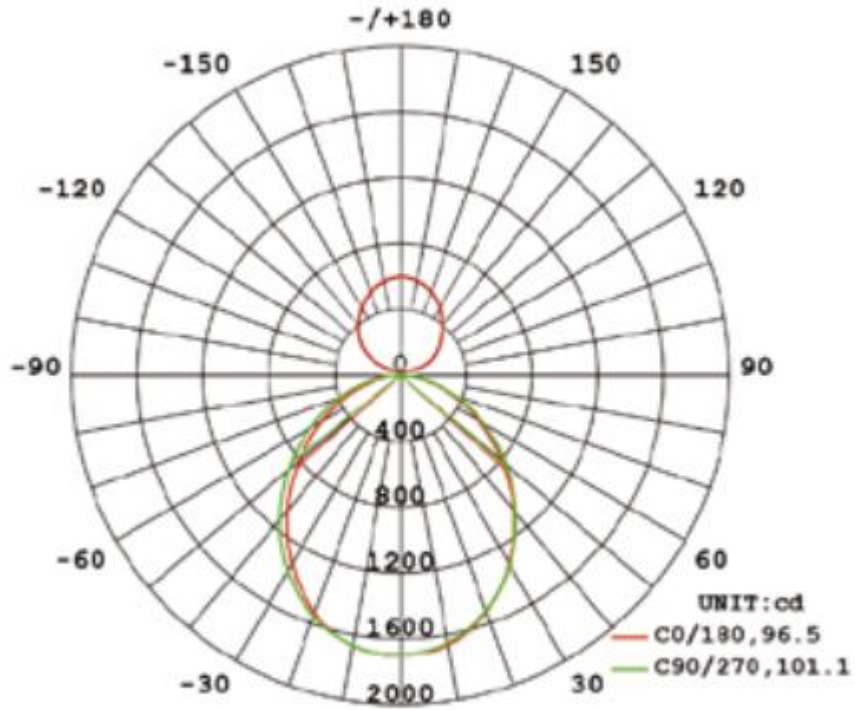


Rugged Grade Lighting
Industrial Grade Solutions

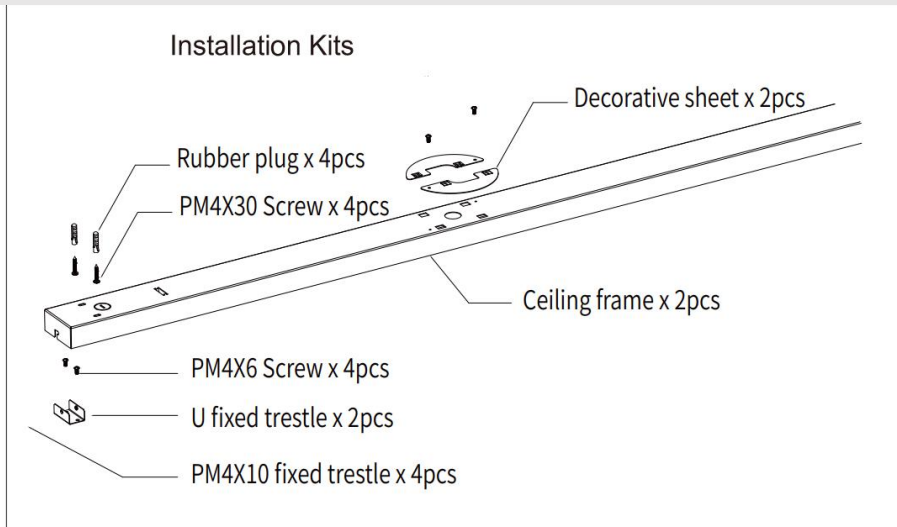


888-953-2476
sales@ruggedgrade.com

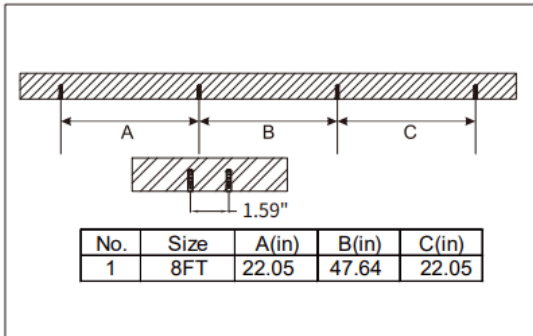
PHOTOMETRICS



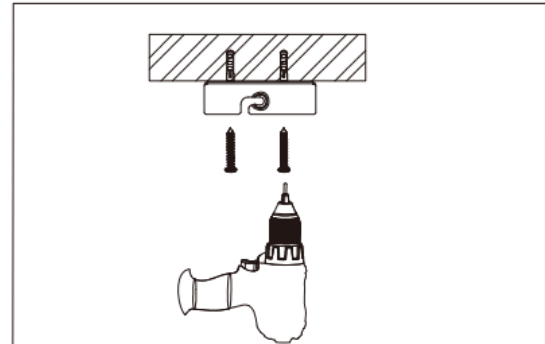
INSTALLATION INSTRUCTIONS(SURFACE MOUNT KIT SOLD SEPERATELY)



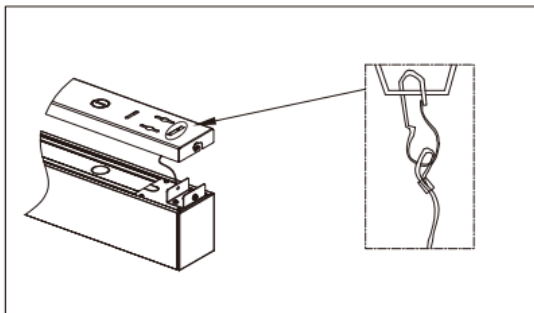
1. Drill Hole on the ceiling based on the Length of the fixture. fix the plastic anchor in the hole .



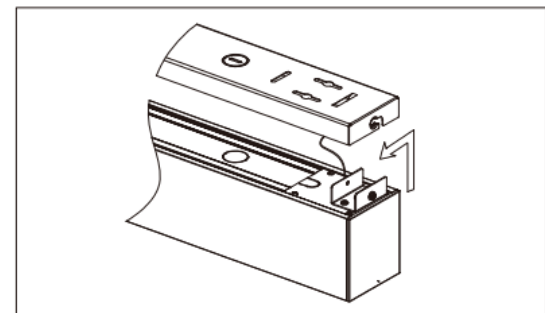
2. Fix the surface mount bracket on the ceiling with PA4*30 screw.



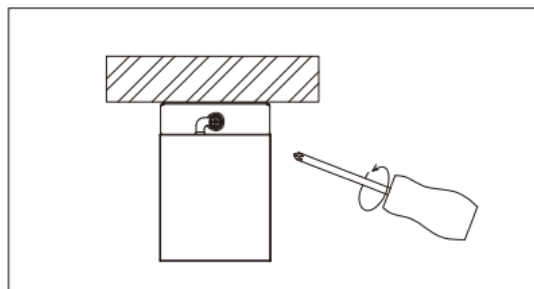
3. Hook the safety cable of the fixture on the slot of the surface mount bracket.



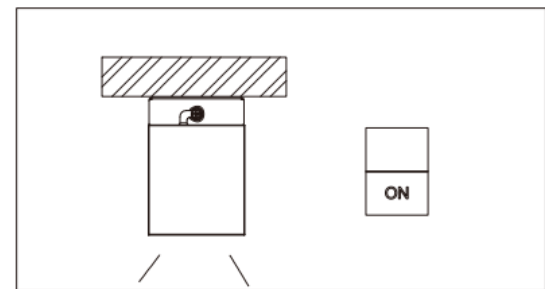
4. Wiring the fixture with the supply power , clear up the wires and safety cable: clip the fixture into the slot of the surfacemount plate on two side.



5. Fix screws on two side of the fixture.



6. Turn on the light.





PRODUCT PACKAGING

	Carton Size	Qty / Carton	Net Weight / Carton	Gross Weight / Carton
Outer box	1290*395*105 MM	5 PCS	1.75 KG/PC	10.2 KG
Outer box (DC Sensor)	1290*395*105 MM	5 PCS	1.8 KG/PC	10.7 KG
Outer box (Emergency Power Supply)	1290*395*105 MM	5 PCS	2.15 KG/PC	12.5 KG

Tolerance of Carton Size: ± 15 MM, Tolerance of Weight: $\pm 10\%$.



PRODUCT WARNINGS

- ⚡ Please turn off power before install or change assembly parts.
- ⚡ The input voltage and lamps should be matched, after connecting the power line.
- ⚡ Please make sure the wiring section is insulated.
- ⚡ Professionals must install and disassemble the lamps.
- ⚡ Surge is the number 1 cause of LED light failure. Outdoor lights must have surge at fixture, pole, and breaker.
- ⚡ Surge is the number 1 cause of LED light failure. Indoor lights must have surge at fixture and breaker.

PRODUCT TROUBLESHOOTING

Issue	Check points
Light Flickers	Check all wiring for disconnections, shorts and burnt wiring and connections. Confirm steady input voltage to the light fixture, fluctuating input voltage will harm the LED driver and can lead to premature failure. Lights with photocells can have photocell tag from ambient light or light reflecting at the sensor. Simply cover the photocell completely and see if flickering continues while the photocell is covered. Call Tech Support for help if none of the above solves the issue.
Light does not work at all.	Check all wiring for disconnections, shorts and burnt wiring and connections. Confirm steady input voltage to the light fixture, fluctuating input voltage will harm the LED driver and can lead to premature failure. If input voltage is not in the voltage range of the fixture, you will need to find the source of your input voltage issue. Call Tech Support for help if none of the above solves the issue.

For more technical information, install questions, troubleshooting help or warranty claims, we have a dedicated US Tech and Customer Support Team to help solve any issues you have and can be reached by email or phone. If you need help with any of our products, we are here for you so that you are never in the dark!

BETTER LIGHTS. BETTER SUPPORT.

