

PRODUCT DESCRIPTION

THE NEW KUMA SERIES IS A NEW PRIVATE DESIGN LED SOLAR STREET LIGHT, WITH A SLIM DESIGN AND A HIGHER CONVERSION EFFICIENCY. MONO-CRYSTALLINE PHOTOVOLTAIC SOLAR PANEL THAT CAUSE A 120LM/W EFFICIENCY ALLOWS US TO MEET NEW AND BETTER STANDARDS.

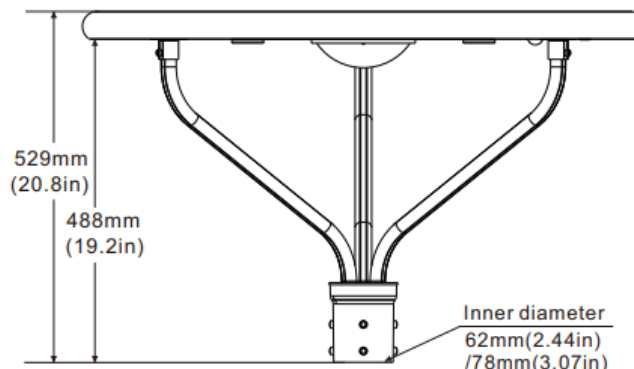
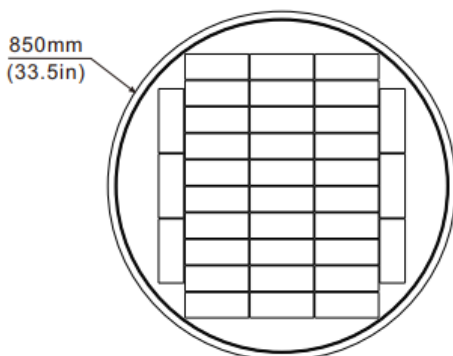


Part #: RGL-KUMA-50W

PRODUCT FEATURES & COMMON USE APPLICATIONS

- ✓ Nice design with lighter weight, easier installation
- ✓ SAA/C-Tick/CE/CB/CCC/ROHS certification
- ✓ The controller has dimming and timer options
- ✓ Battery life is longer with an 7 hour charge
- ✓ Easy to install and operate
- ✓ Energy saving, long lifespan
- ✓ Instant start, NO flickering, NO humming
- ✓ Green and eco-friendly without mercury
- ✓ Street Lighting
- ✓ Outdoor landscaping light
- ✓ Building, The Hotel.
- ✓ Parking Lot

PRODUCT DIMENSIONS



LEGENDARY USA SUPPORT

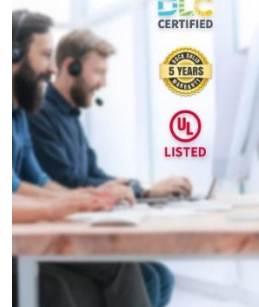


US based phone and online customer support

DLC CERTIFIED

5 YEARS WARRANTY

UL LISTED



PRODUCT TECHNICAL SPECIFICATIONS

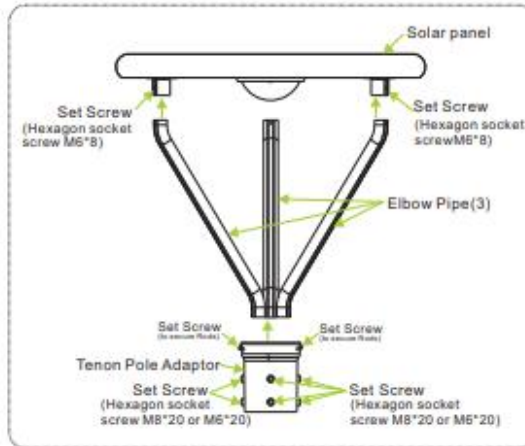
Input Power (Tolerance: ±10%)	50W
Color Temperature	5000K
Lumen (Tolerance: -10%)	7500LM
Efficacy (Tolerance: -3%)	150 LM/W
Battery	Ternary Li-ion battery
Solar Panel	18V/30W
Solar Panel Dimensions	Dia850*41mm
CRI	Ra70
Color Consistency	<6 Steps (or <6 SDCM)
Distribution Pattern	NEMA:4
Beam Angle (50%) (Tolerance: ±15%)	120°
Battery Capacity	230WH
PF (Tolerance: -3%)	≥0.95
THD (Tolerance: +5%)	≤20%
Flicker Percent	<70%
Driver Brand	RG
Driver Model	RG-50W-120v
Optional Accessory	Default:PIR Sensor&Time Controller together.
LED Brand	SMD LED
LED Type	SMD LED
Discharge Time	10-12hours
Housing	Aluminum Alloy
Housing Color	Black
Waterproof Rating	Wet(IP65)
Operating Temperature	0°C TO 50°C
Warranty	3 years warranty with 24/7 operating hours Luminaire lifetime at 25°C.
Charge Time	6-7hours(with enough strong shine)
Mounting Height	8-9M
Space Between Light	20-30M

PRODUCT ACCESORIES



ASSEMBLY & INSTALLATION

Fixture assembly



- Step1: Secure the elbow pipes to the lamp body with 3 screws(Hexagon socket screws M6*8).
- Step2: Secure the Tenon Pole Adaptor and elbow pipes with 3 screws(Hexagon socket screws M6*12).
- Step3: Check that all screws are not loose ,and then complete the fixture assembly.

Assemble physical map



1. Above are all the accessories.



2. The lamp has three places where the elbow is installed.



3. Use a M6*8 screw to secure a elbow pipe, a total of three elbow pipes.



4. Fix the elbow pipes with three M6*12 screws.



5. If you only need 80mm (3.15in) tenon pole adaptor, use 6pcs M8*20 screws to fix it, as shown above.

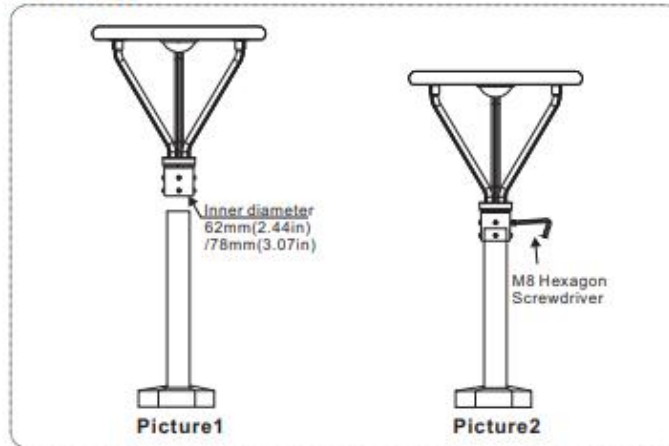


6. If you need 62mm (2.44in) tenon pole adaptor, use 3pcs washers and 6pcs M6*20 screws to fix it.



ASSEMBLY & INSTALLATION

Pole mounting(no wiring)



Step 1: Turn off the power before installation.

Step 2: Secure the Tenon Pole Adaptor and pole with 6 screws.

Step 3: Check that all screws are not loose, and then complete the pole mounting.

The screws are different used for the different diameters of the rods.

*If you need 62mm (2.44in) tenon pole adapter, you need to follow these steps before installing:



Figure 1



Figure 2



Figure 3

1. When you receive the light, as shown in Figure 1. There are 3pcs washers and 6pcs M6*20 screws. Pull the screws in the direction of the arrow.
2. When the screws and washers are in the position of Figure 2, place the lights into the pole.
3. Then tighten the screws as shown in Figure 3.

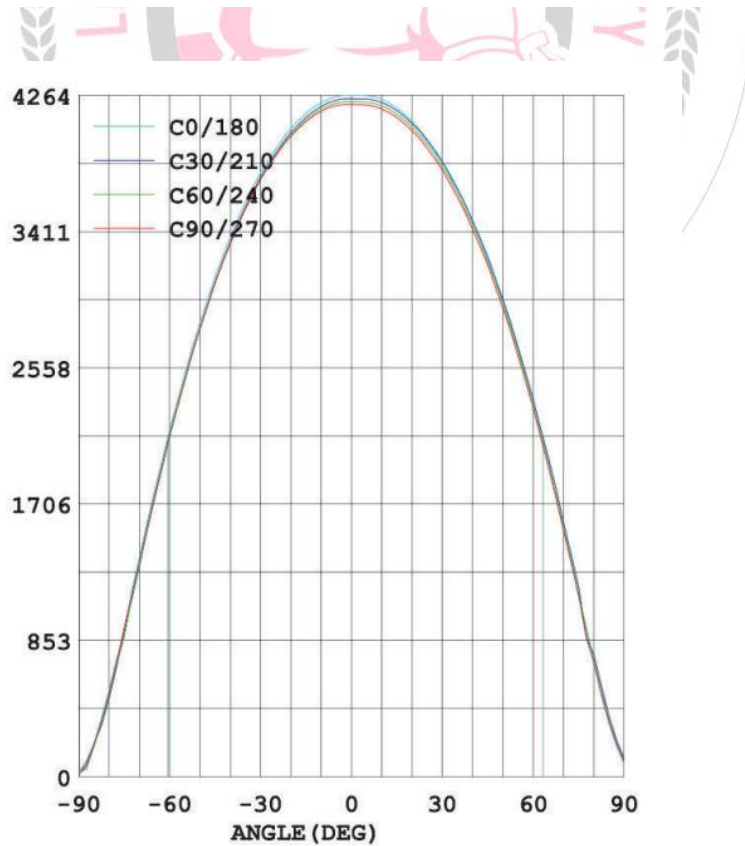
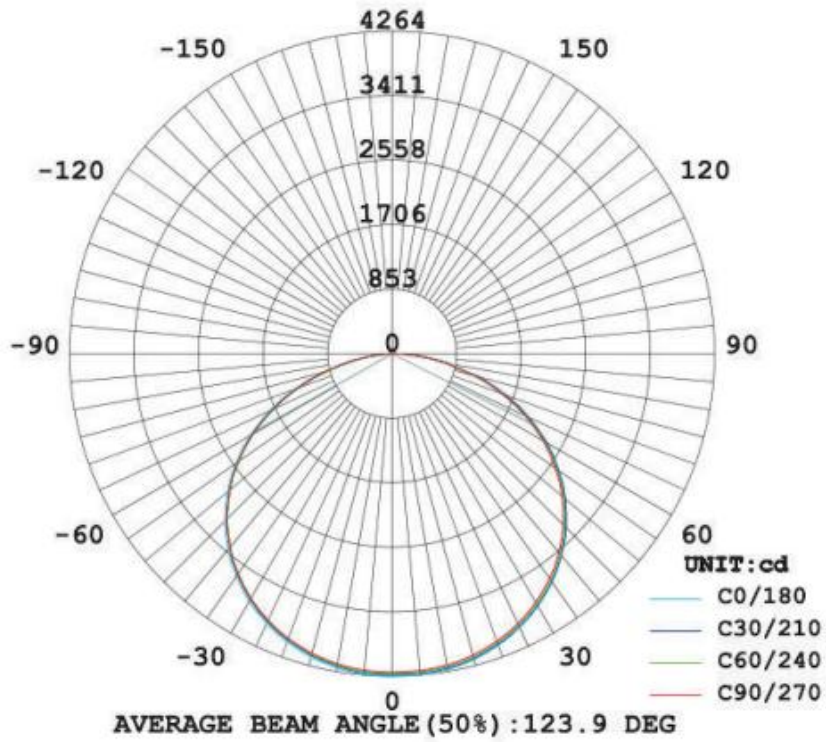
*If you only need 80mm (3.15in) tenon pole adapter, use 6pcs M8*20 screws to fix it. Do not use M6*20 screws and washers.



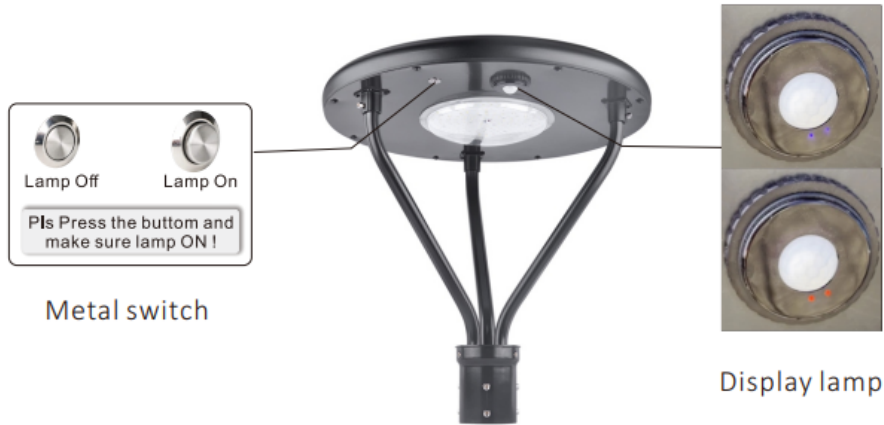
PRODUCT IMAGES & FEATURES



PHOTOMETRICS



INSTRUCTIONS



Display light status indication

colour	Indicator status	Indicator description	Remote control system status
blue	Steady on	Load on	Electric discharge
	Single flash	The battery is normal and idle	leisure
	Slow flash	Be charging	charging
	Double flash	Lithium battery battery is full	Be filled with
	Quick flashing	Lithium battery BMS overcharge protection	E-BMS
colour	Indicator status	Indicator description	Remote control system status
red	Slow flash	Load open circuit	Open a way
		Load short circuit	short-circuit
		PV overpressure	PV excess
		BAT overpressure	BV Super
		overtemperature	overtemperature

Default setting as below :

Timmer Control & PIR Sensor Control

- 1.If with insufficient ambient light,sensored dark,lamp will on. First Time Phase 4 hours , When motion is detected,it will 100% brightness. When no motion detected after hold time 60s, and then switches to 30% brightness after stand-by period.
- 2.Second Time Phase 3 hours.When motion is detected,it will 70% brightness. When no motion detected after hold time 60s,and then switches to 30% brightness after stand-by period.
- 3.Third Time Phase 3 hours.When motion is detected,it will 50% brightness. When no motion detected after hold time 60s, and then switches to 30% brightness after stand-by period.
- 4.Forth Time Phase 6 hours.When motion is detected,it will 70% brightness. When no motion detected after hold time 60s,and then switches to 30% brightness after stand-by period.
- 5.While sensed daytime,lamp will off.



PACKAGING

Carton Size	Qty / Carton	Net Weight / Carton	Gross Weight / Carton
910*910*170 MM	1 PC	18.2 KG	19.9 KG

*Tolerance of Carton Size: ± 15 MM, Tolerance of Weight: $\pm 10\%$.



PRODUCT WARNINGS

- ⚡ Please turn off power before install or change assembly parts.
- ⚡ The input voltage and lamps should be matched, after connecting the power line.
- ⚡ Please make sure the wiring section is insulated.
- ⚡ Professionals must install and disassemble the lamps.
- ⚡ Surge is the number 1 cause of LED light failure. Outdoor lights must have surge at fixture, pole, and breaker.
- ⚡ Surge is the number 1 cause of LED light failure. Indoor lights must have surge at fixture and breaker.

PRODUCT TROUBLESHOOTING

Issue	Check points
Light Flickers	Check all wiring for disconnections, shorts and burnt wiring and connections. Confirm steady input voltage to the light fixture, fluctuating input voltage will harm the LED driver and can lead to premature failure. Lights with photocells can have photocell tag from ambient light or light reflecting at the sensor. Simply cover the photocell completely and see if flickering continues while the photocell is covered. Call Tech Support for help if none of the above solves the issue.
Light does not work at all.	Check all wiring for disconnections, shorts and burnt wiring and connections. Confirm steady input voltage to the light fixture, fluctuating input voltage will harm the LED driver and can lead to premature failure. If input voltage is not in the voltage range of the fixture, you will need to find the source of your input voltage issue. Call Tech Support for help if none of the above solves the issue.

For more technical information, install questions, troubleshooting help or warranty claims, we have a dedicated US Tech and Customer Support Team to help solve any issues you have and can be reached by email or phone. If you need help with any of our products, we are here for you so that you are never in the dark!



**BETTER LIGHTS.
BETTER SUPPORT.**



CERTIFIED



LISTED



LEGENDARY RUGGEDGRADE QUALITY
LEGENDARY USA SUPPORT



US based
phone and online
customer support



ROCK SOLID
5 YEARS
WARRANTY