



IMPORTANT SAFEGAURDS

- When using electrical equipment, basic safety precautions should always be followed, Please Read all safety instructions.

CAUTION: RISK OF SHOCK-disconnect emergency and normal input power sources before servicing.

ASSEMBLY and FIELD INSTALLATION WIRING: WARNING: AC power must be off before proceeding with assembly or installation of emergency driver.

IMPORTANT: An unswitched AC power source is required (100-347 VAC, 50/60 Hz).

This device is designed for fixtures listed for dry, damp locations.

IMPORTANT: Make sure all connections are in accordance with the National Electrical Code or Canadian Electrical Code and any local regulations.

IMPORTANT: For BLD-RM30R-YYY, use with LED lamps less than 150W. When dimming to minimum the power should be less than 25W. For BLD-RM40R-YYY & BLD-RM60R-YYY, use with LED lamps less than 300W. When dimming to minimum the power should be less than 35W.

CAUTION: To reduce the risk of electric shock disconnect both normal and emergency sources within this unit before servicing any equipment connected to this unit.

CAUTION: Do not mount near gas or electric heaters.

CAUTION: Equipment should be mounted in locations and at heights where it will not be subjected to tampering by unauthorized personnel.

CAUTION: The use of accessory equipment not recommended by the manufacturer may cause an unsafe condition.

CAUTION: Do not use this equipment for other than its intended use.

CAUTION: Use with grounded, UL Listed, dry or damp location rated fixtures. Case should also be grounded.

CAUTION: This product is for use in indoor fixtures only. Do NOT use near heated air handling outlets or hazardous locations. Suitable for use in 5°C -50°C ambient temperatures.

CAUTION: Battery is rechargeable Li-ion type and must be recycled or disposed of properly.

Do not use this emergency driver with accessory equipment other than recommended by the manufacturer.

Failure to follow this may cause an unsafe condition and will void warranty.

Servicing of this equipment should be performed by qualified personnel only.

IMPORTANT: Illuminated Indicator (LED light) means battery is in charge mode when AC power is applied.

It is recommended and required by applicable code to test emergency function to ensure proper operation of the system; press the remote controller ON button every 30 days to ensure the emergency driver is functioning and LED light source is illuminated. Conduct a ninety minute (90) discharge test one time (1) per year;

LED light source should be illuminated for a minimum of ninety minutes (90).

TESTING SYSTEM: The emergency battery requires a minimum charge of one (1) hour before testing the circuit.

A full charge requires twenty four(24) hours.

IMPORTANT: To maintain good battery lifespan during storage and warranty coverage, recharge emergency driver every 6 months.

IMPORTANT: Lighting fixture manufacturers, electricians, and end-users need to ensure product system compatibility before final installation.



SPECIFICATIONS and FEATURES

Features

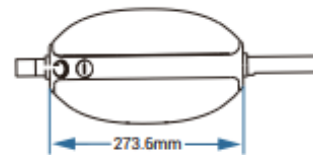
- ◆ Simple wiring: directly connect to LED driver AC input
- ◆ Constant power output
- ◆ Universal input: 100-347Vac, 50/60Hz
- ◆ Remote control devices included
- ◆ For 0-10V dimmable fixtures up to 300W
- ◆ Over-voltage, short-circuit, over-load, open-circuit protection
- ◆ Built-in junction box
- ◆ UL listed for factory and field installation
- ◆ CEC Title 20 certified



Product Certification



Dimensions



Specifications

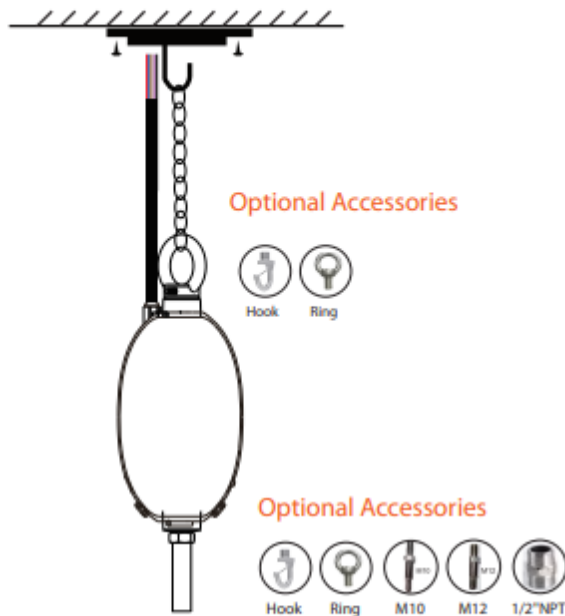
Input Voltage	100-347V AC, 50/60Hz	Output Voltage	170V DC
Input Current(Max.)	200mA	Output Current(Max.)	460mA
Input Power(Max.)	15W	Output Power	30W / 40W / 60W
Emergency Time	≥90 minutes	Battery Type	Lithium ion battery
Charging Time	≥24 hours	Ambient Temp	5°C~50°C (41°F~122°F)

Input Voltage	Output Power	Emergency Time	Applications
100-347V AC	30W	90 Minutes	0-10V dimmable fixtures ≤150W
100-347V AC	40W	90 Minutes	0-10V dimmable fixtures ≤300W
100-347V AC	60W	90 Minutes	0-10V dimmable fixtures ≤300W

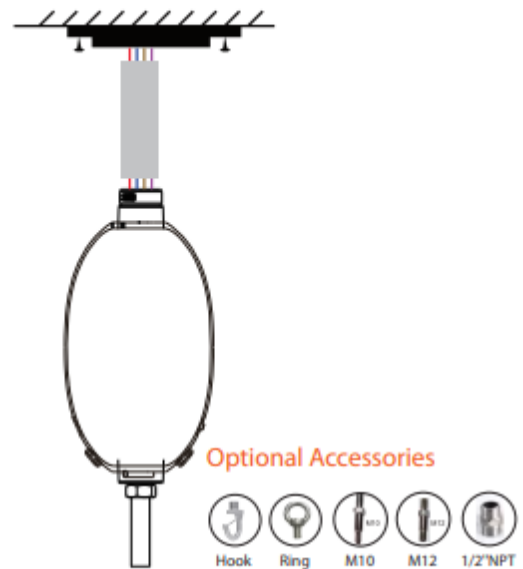


INSTALLATION

Chain or Cable Mount



1/2" Conduit Mount



See instruction manual, for typical installation and select appropriate mounting method.

Installation Steps



CAUTION: Before installing, make certain the AC power is off

Step#1: Notice

- (A): Disconnect all power sources to the lighting fixture and ensure they are locked out during installation and maintenance.
- (B): Select a suitable location on the ceiling for proper mounting of LED emergency driver (battery).

Step#2: Installation

- (A): Install ring /G-hook to top threaded hole of LED emergency driver(opposite the Red Indicator light) and secure it with screw.
- (B): Install G-hook/ring /M10-rod/M12-rod / 1/2" NPT to the bottom hole(near Red Indicator light)and secure with screw.
- (C): Install LED emergency driver to highbay fixture with screw.
- (D): Open LED emergency driver cover and remove the plastic connectors and install the waterproof connectors (4pcs).

Step#3: Wiring

Pull all wires through the waterproof connectors into the cavity of emergency driver.

- (A): Connect the AC output wires (Brown, Blue and Green) of emergency driver with AC input wires of LED highbay fixtures.
- (B): Connect the dimming output wires (Purple and Pink) of emergency driver with the dimming input wires of LED Driver.
- (C): Connect AC input wires (Black,White and Red) of emergency driver with AC main power cord.
- (D): Connect the input dimming wires (Purple, Pink) of emergency driver with dimming wires from dimmer.
- (E): Close and lock emergency driver and secure close using screw.
- (F): Hang the emergency led driver to suitable structure (not included, by others) located in the ceiling.

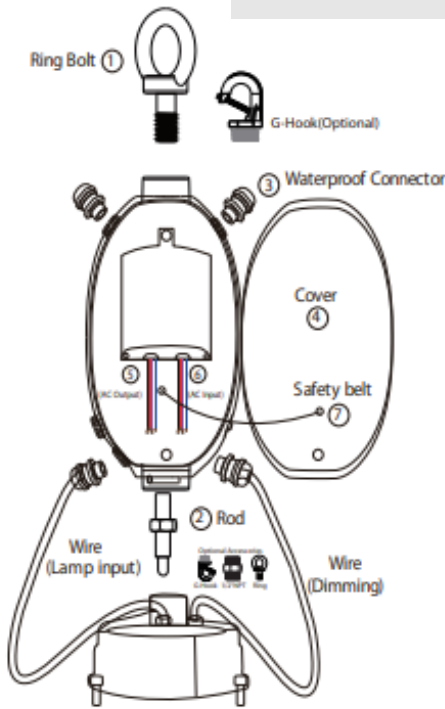
Note: Refer to LED emergency driver wiring diagram.

Step#4: Testing

- After installation is complete, apply AC power.
- At this point power should be connected to the fixture driver and the emergency LED driver. Charging indicator light should be illuminated, indicating the LED emergency driver (battery) is charging.
- A short-term discharge test may be conducted after the emergency LED driver has been charging for 1 hour. Charge for 24 hours before conducting a long-term discharge test.



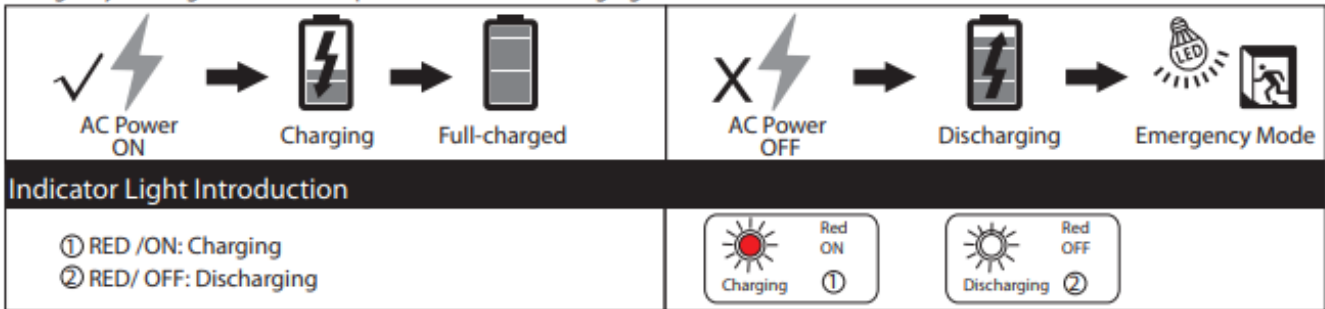
OPERATING GUIDE



OPERATION

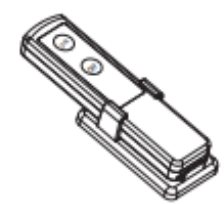
AC Operation: AC power is present. The AC driver operates the LED load as designed. The emergency driver is charging in a standby mode. The charging indicator will be lit, showing that the battery is charging.

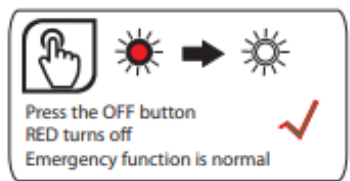
Emergency Operation: When the AC power goes out, the emergency driver detects the AC power outage and automatically switches to emergency mode. When red LED light is OFF, that means driver is discharging. When the AC power is restored, the emergency driver goes back to AC power and starts recharging.



Remote Controller Introduction

- ON Press the ON button to test emergency function. This light will switch to its emergency lighting mode and the indicator light will turn off. Press the OFF button, the light will revert to normal lighting mode.
- OFF When main power supply is OFF(emergency mode), press the OFF button to turn off emergency function.



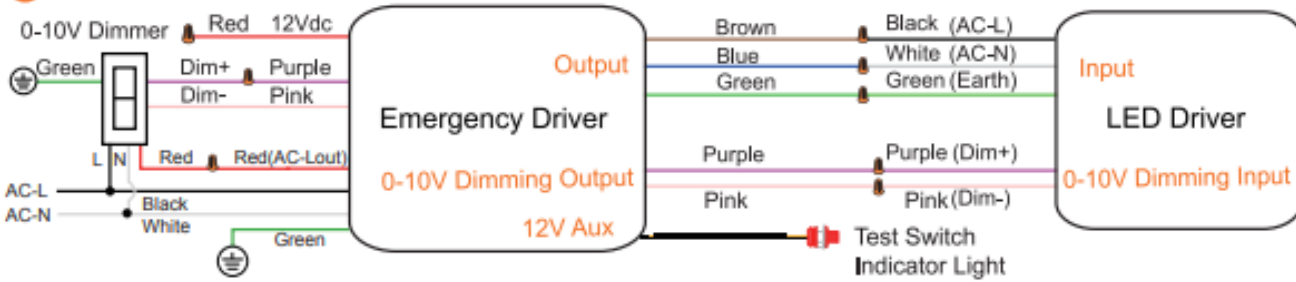


Note: Remote must be pointed at the indicator light and be within a 45 degree angle to send signal to LED emergency driver. Remote controls requires two AAA batteries to operate. Batteries are not included.

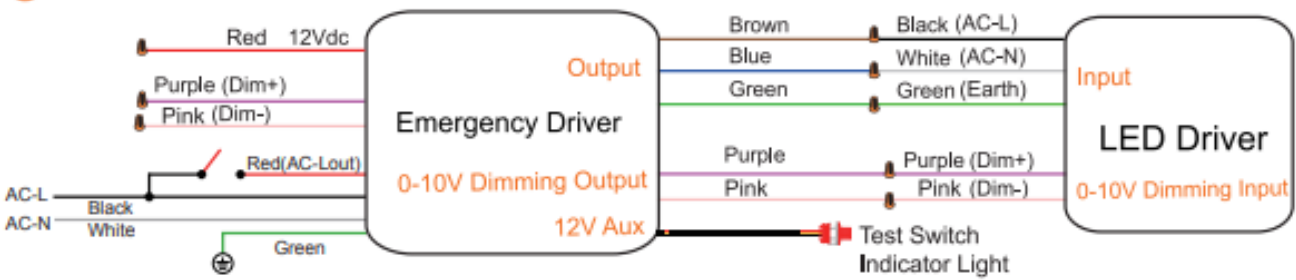


WIRING GUIDE

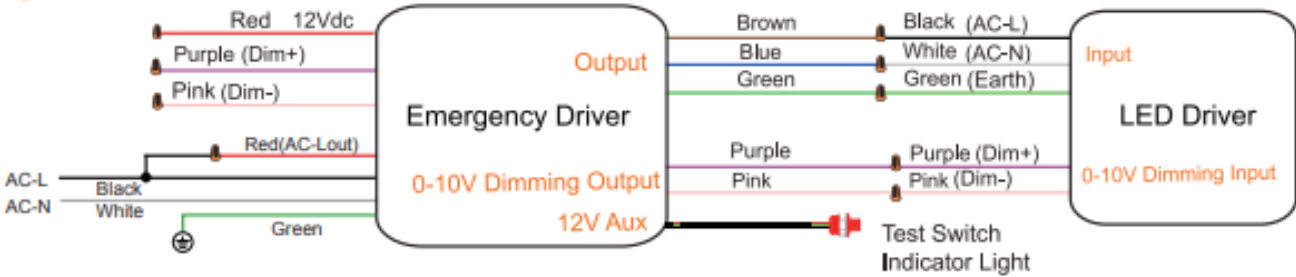
1 With Dimmer



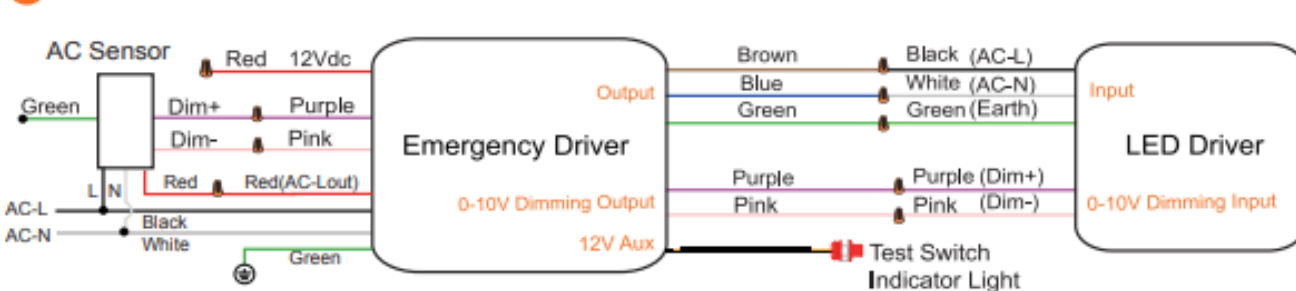
2 With Wall Switch(Without Dimmer)



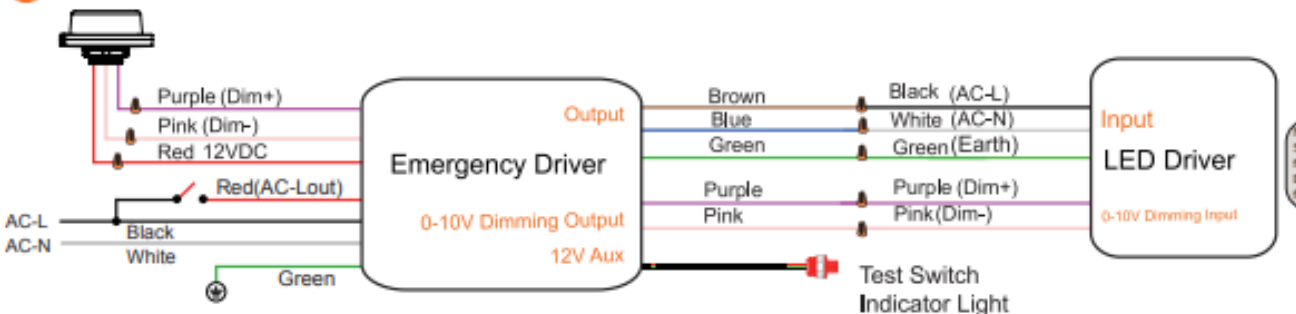
3 Without Wall Switch & Dimmer, 24hours lighting



4 With AC Sensor(100-277/347V AC)



5 With 12V DC Sensor



Note:
Sensor wires must remove
from LED Driver and reconnect to
Emergency driver DC 12V wires
for EM Driver to function properly.

