

## PRODUCT DESCRIPTION

THIS NEW JELLY JAR LIGHT IS THE CUTTING EDGE IN SAFETY LIGHTING! THE NEW COLOR SELECTABLE FEATURE ALLOWS YOU TO CUSTOMIZE EACH LIGHT TO YOUR PREFERENCE WHICH ENSURES A PERSONALIZED FEEL.

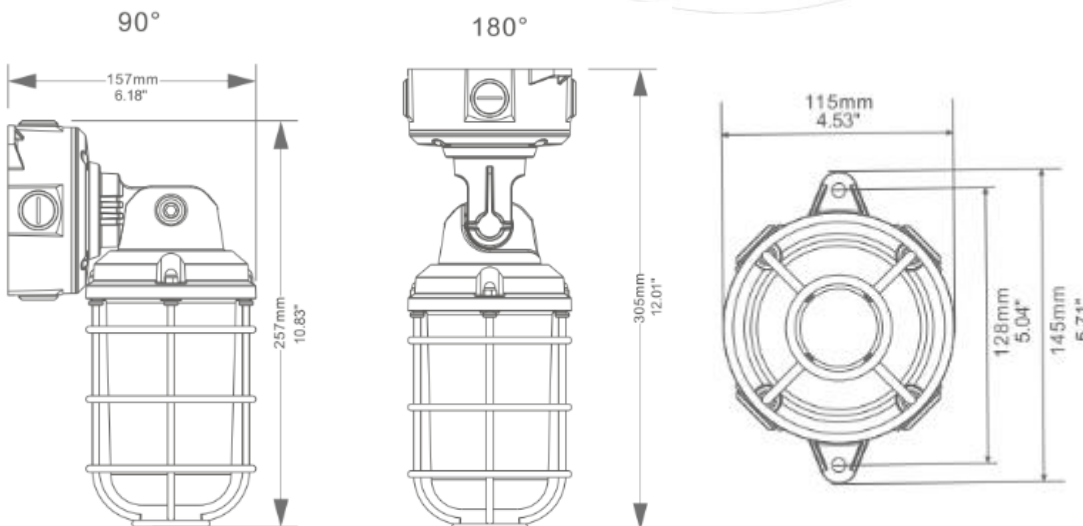


## RGL-KENARO-30W

## PRODUCT FEATURES & COMMON USE APPLICATIONS

- ✓ Lumileds Chip, high CRI.
- ✓ Input voltage 120-277Vac
- ✓ No UV or IR in the beam
- ✓ Easy to install and operate
- ✓ Energy saving, long lifespan
- ✓ Instant start, NO flickering, NO humming
- ✓ Green and eco-friendly without mercury
- ✓ Output constant current lever can be adjusted through output cable with 0-10V.
- ✓ Entrance lighting, Courtyard Lighting
- ✓ Industrial Lighting, Outdoor landscaping light
- ✓ Building, The Hotel.
- ✓ Wall lighting Area ETC.

## PRODUCT DIMENSIONS



Rugged Grade Lighting  
Industrial Grade Solutions



## LEGENDARY USA SUPPORT



US based  
phone and online  
customer support



888-953-2476  
sales@ruggedgrade.com



## PRODUCT TECHNICAL SPECIFICATIONS

<b>OPTICAL</b>	Input Power (Tolerance: $\pm 10\%$ )	30/20/15 Watts (Wattage Selectable)
	Color Temperature	3000K/4000K/5000K (Color Selectable)
	Lumen (Tolerance: -10%)	2520 LM
	Efficacy (Tolerance: -3%)	110 LM/W
	CRI	>80
	Color Consistency	3CCT
	Distribution Pattern	NA
	Beam Angle (50%) (Tolerance: $\pm 15\%$ )	160 degree
	Input Voltage and Frequency	120-277VAC, 50/60Hz
<b>ELECTRICAL</b>	PF (Tolerance: -3%)	$\geq 0.9$
	THD (Tolerance: +5%)	$\leq 20\%$
	Flicker Percent	<70%
	Driver Brand	RG
	Driver Model	RG-30W-120v
	Driver Surge protection	L/N-PE: 2.5kV, L-N:2.5kV
	Dimming	0-10V dimming standard
	Optional Accessory	NONE
	LED Brand	Lumileds
<b>MATERIALS</b>	LED Type	SMD2835
	LED QTY	55 PCS*2
	Housing	Die-cast aluminum
	Housing Color	Customized
	Waterproof Rating	WET (IP65)
	Operating Temperature	-40°C TO 45°C
	Storage Temperature	-40°C TO 85°C
<b>OTHERS</b>	Operating Humidity	10% - 90% RH
	Storage Humidity	5% - 95% RH
	Warranty	5 years warranty with 24/7 operating hours Luminaire lifetime at 25°C.

## PRODUCT ACCESORIES



PRODUCT IMAGES & ACTUAL INSTALLATIONS



3000K



4000K



5000K

CCT Selectable: 3000K/4000K/5000K

Watt Selectable: 15W/20W/30W



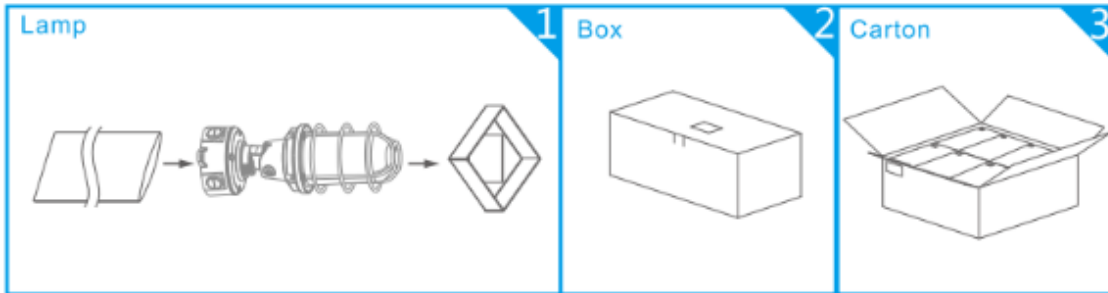
APPLICATION

Indoor (restaurant) and outdoor applications including entry ways, covered walkways, retail, warehouses, stockrooms, and utility areas.



## PRODUCT PACKAGING

Inner box size 1inch=25.4mm	N.W per lamp 1kg=2.2lbs	G.W per box 1kg=2.2lbs	G.W per carton 1inch=25.4mm	Carton size 1inch=25.4mm	Quantity per carton
315x120x120mm 12.40"x4.72"x4.72"	2.43lb (1.10kg)	2.65lb (1.20kg)	17.20lb (7.80kg)	375x325x255mm 14.76"x12.79"x10.04"	6PCS



\*Tolerance of Carton Size:  $\pm 15$  MM, Tolerance of Weight:  $\pm 10\%$ .



PRODUCT WARNINGS

- ⚡ Please turn off power before install or change assembly parts.
- ⚡ The input voltage and lamps should be matched, after connecting the power line.
- ⚡ Please make sure the wiring section is insulated.
- ⚡ Professionals must install and disassemble the lamps.
- ⚡ Surge is the number 1 cause of LED light failure. Outdoor lights must have surge at fixture, pole, and breaker.
- ⚡ Surge is the number 1 cause of LED light failure. Indoor lights must have surge at fixture and breaker.

PRODUCT TROUBLESHOOTING

Issue	Check points
Light Flickers	Check all wiring for disconnections, shorts and burnt wiring and connections. Confirm steady input voltage to the light fixture, fluctuating input voltage will harm the LED driver and can lead to premature failure. Lights with photocells can have photocell tag from ambient light or light reflecting at the sensor. Simply cover the photocell completely and see if flickering continues while the photocell is covered. Call Tech Support for help if none of the above solves the issue.
Light does not work at all.	Check all wiring for disconnections, shorts and burnt wiring and connections. Confirm steady input voltage to the light fixture, fluctuating input voltage will harm the LED driver and can lead to premature failure. If input voltage is not in the voltage range of the fixture, you will need to find the source of your input voltage issue. Call Tech Support for help if none of the above solves the issue.

For more technical information, install questions, troubleshooting help or warranty claims, we have a dedicated US Tech and Customer Support Team to help solve any issues you have and can be reached by email or phone. If you need help with any of our products, we are here for you so that you are never in the dark!



**BETTER LIGHTS.  
BETTER SUPPORT.**



DLC  
CERTIFIED



UL  
LISTED



LEGENDARY RUGGEDGRADE QUALITY  
LEGENDARY USA SUPPORT



US based  
phone and online  
customer support



ROCK SOLID  
5 YEARS  
WARRANTY

