

# 300W FULLY TUNABLE MOTION READY | LED HIGH BAY LINEAR LIGHT



RuggedGrade

## PRODUCT DESCRIPTION

The ultimate premium LED Linear High Bay Light with 160lm/w efficiency for cost savings, 0-100% dimmability for ambiance control. Featuring a comfortable, glare-free matte lens and iron housing, it's DLC Premium 5.1 certified for rebates.



PART #: RG-300W-LHB-TT-MR

## PRODUCT FEATURES & COMMON USE APPLICATIONS

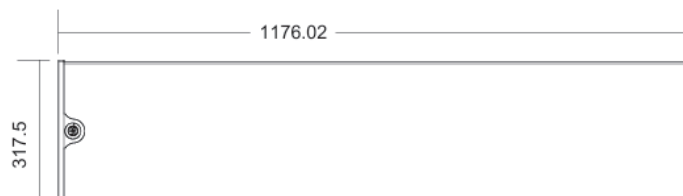
- UL, cUL, certificate.
- Lumileds Chip, high CRI.
- Input voltage 120-277VAC.
- Wattage adjustable.
- Output constant current lever can be adjusted through output cable with 0-10V.
- No UV or IR in the beam.
- Easy to install and operate.
- Energy saving, long lifespan.
- Light is soft and uniform, safe to eyes.
- Instant start, NO flickering, NO humming.
- Green and eco-friendly without mercury.
- Warehouse, factory and workshops.
- Exhibition Hall and supermarkets, etc.

## PRODUCT DIMENSIONS

4FT

1176.02\*317.5\*73.66 mm

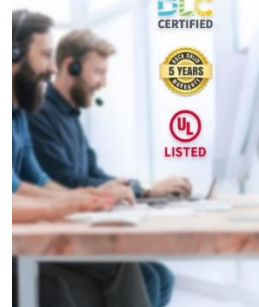
46.3\*12.5\* 2.9 inch



## LEGENDARY USA SUPPORT



US based  
phone and online  
customer support



Rugged Grade Lighting  
Industrial Grade Solutions



888-953-2476  
sales@ruggedgrade.com

# 300W FULLY TUNABLE MOTION READY | LED HIGH BAY LINEAR LIGHT



**RuggedGrade**

## PRODUCT TECHNICAL SPECIFICATIONS

<b>OPTICAL</b>	Input Power (Tolerance: ±10%)	300W/275W/250W(Wattage selectable model)
	Color Temperature	4000K/5000K/5700K(Color Selectable)
	Lumen (Tolerance: -10%)	40000LM(250W)/44000LM(275W)/48000 LM(300W)
	Efficacy (Tolerance: -3%)	160 LM/W
	CRI	>80
	Diffuser Type	PC Lens
	Beam Angle (50%) (Tolerance: ±15%)	90 Degree
	Input Voltage and Frequency	120-277VAC, 50/60Hz
	PF (Tolerance: -3%)	≥0.9
<b>ELECTRICAL</b>	THD (Tolerance: +5%)	≤20%
	Flicker Percent	<5%
	Driver Brand	RG brand
	Dimming	0-10V dimming standard
	Optional Accessory	AC/DC Motion Sensor, bbu
	LED Brand	Lumileds
	LED Type	SMD 2835
LED QTY	NA	
<b>MATERIALS</b>	Housing	Aluminum
	Housing Color	White
	Waterproof Rating	DAMP (IP20)
	Operating Temperature	-4 TO 104 Degrees F
	Storage Temperature	-22 TO 140 Degrees F
	Warranty	5 years warranty with 24/7 operating hours Luminaire lifetime

## PRODUCT MOUNTS & ACCESSORIES



Emergency Battery



Remote Controller



Smart Sensor



Suspension Mounted Kit



PRODUCT IMAGES & ACTUAL INSTALLATIONS

# THE RIGHT LIGHTING CHOICE





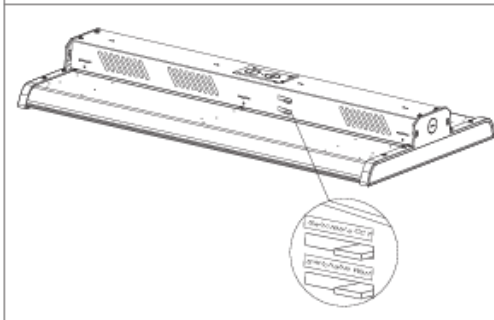
### INSTALLATION INSTRUCTION

Please read instruction before commencing installation and retain for future references. Electrical products can cause death or injury, or damage to property. If in any doubt about the installation or use of this product, consult a competent electrician.

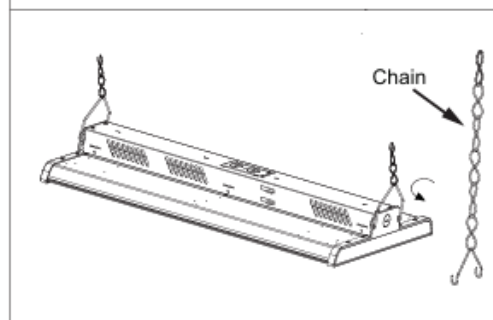
- Note:**
1. The installation and maintenance must be completed by electricians or professionals.
  2. Please cut off the power before installation and maintenance.
  3. The thermally insulating material is not allowed to cover the fixture.
  4. Please keep away from the corrosive substance, and keep the fixture dry and clean.
  5. Working temperature:  $-4^{\circ}\text{F} \sim 104^{\circ}\text{F}$ , storage temperature:  $-22^{\circ}\text{F} \sim 140^{\circ}\text{F}$ .

### CHAIN INSTALLATION:

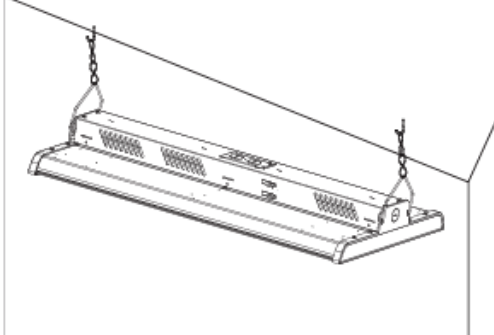
1. Select the desired power and colour temperature on the dip switches.



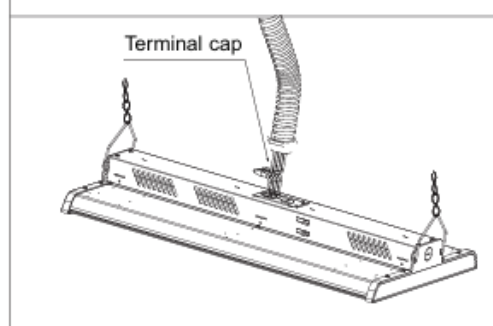
2. Hook the chain as below pic, and insert the hook into the slotted holes, as shown below.



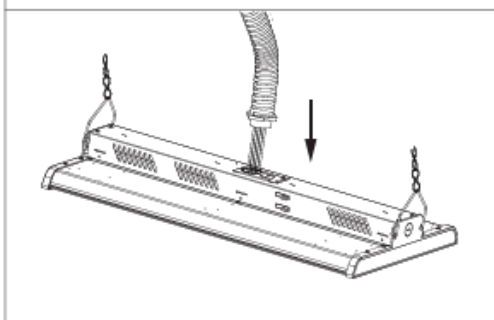
3. Hook up the chain on the ceiling anchor



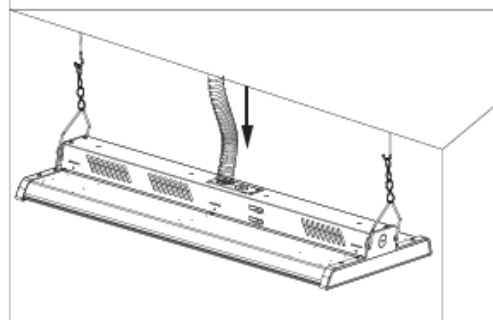
4. Turn off power, and make wiring connections with terminal cap.



5. Insert the terminal cap and wires into the driver box.



6. Insert the wire terminal joint to the wire entry. Installation completed.

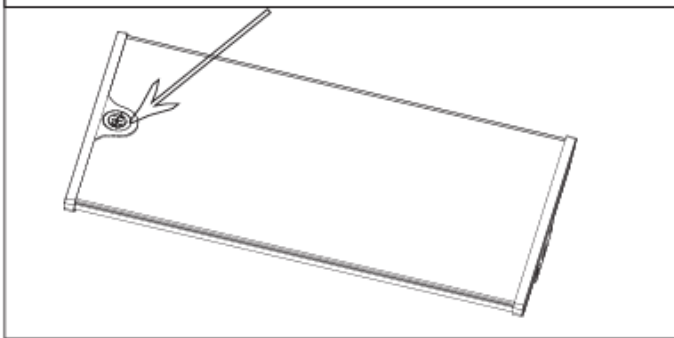




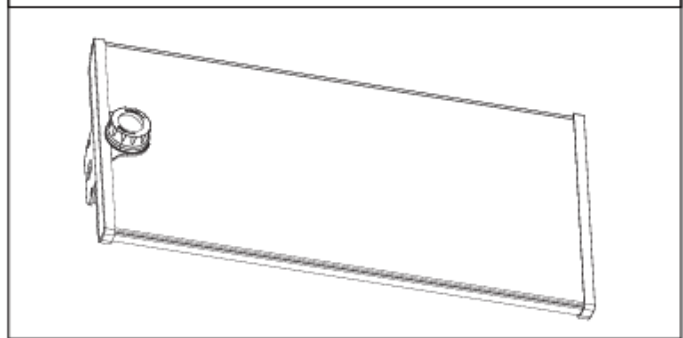
### INSTALLATION INSTRUCTION

#### QUICK INSTALLATION OF MOTION SENSOR:

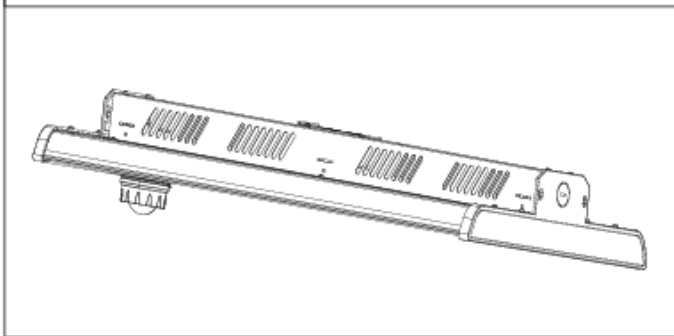
1. Screw out the nut in the junction box cover.



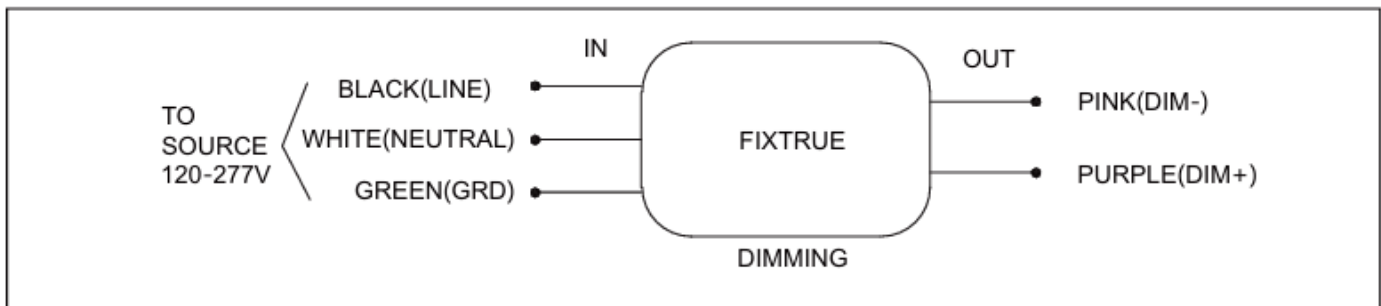
2. Close the junction box cover and lock it with screws.



3. Microwave sensor installation completed.



#### WIRING DIAGRAM:

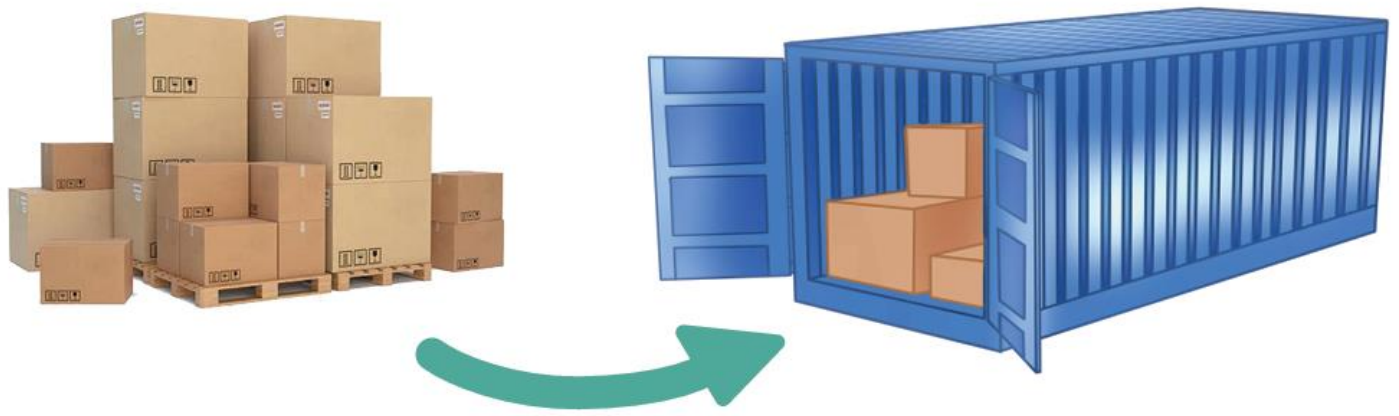


# 300W FULLY TUNABLE MOTION READY | LED HIGH BAY LINEAR LIGHT



## PRODUCT PACKAGING

Items	Master Carton Size	Gross Weight	Pcs / Carton
2FT-110/130/160W-4057K	24.8 × 6.8 × 14.2 inch	16.2 lbs	2
3FT-175/200/225W-4057K	36.6 × 6.8 × 14.2 inch	20.3 lbs	2
4FT-250/275/300W-4057K	47.8 × 6.8 × 14.2 inch	23.0 lbs	2
4FT-255/300/400W-4057K	47.8 × 6.8 × 14.2 inch	23.0 lbs	2





**PRODUCT WARNINGS**

- ⚡ Please turn off power before install or change assembly parts.
- ⚡ The input voltage and lamps should be matched, after connecting the power line.
- ⚡ Please make sure the wiring section is insulated.
- ⚡ Professionals must install and disassemble the lamps.
- ⚡ Surge is the number 1 cause of LED light failure. Outdoor lights must have surge at fixture, pole, and breaker.
- ⚡ Surge is the number 1 cause of LED light failure. Indoor lights must have surge at fixture and breaker

**PRODUCT TROUBLESHOOTING**

Issue	Check points
Light Flickers	Check all wiring for disconnections, shorts and burnt wiring and connections. Confirm steady input voltage to the light fixture, fluctuating input voltage will harm the LED driver and can lead to premature failure. Lights with photocells can have photocell tag from ambient light or light reflecting at the sensor. Simply cover the photocell completely and see if flickering continues while the photocell is covered. Call Tech Support for help if none of the above solves the issue.
Light does not work at all.	Check all wiring for disconnections, shorts and burnt wiring and connections. Confirm steady input voltage to the light fixture, fluctuating input voltage will harm the LED driver and can lead to premature failure. If input voltage is not in the voltage range of the fixture, you will need to find the source of your input voltage issue. Call Tech Support for help if none of the above solves the issue.

**For more technical information, install questions, troubleshooting help or warranty claims, we have a dedicated US Tech and Customer Support Team to help solve any issues you have and can be reached by email or phone. If you need help with any of our products, we are here for you so that you are never in the dark!**

**BETTER LIGHTS.  
BETTER SUPPORT.**

