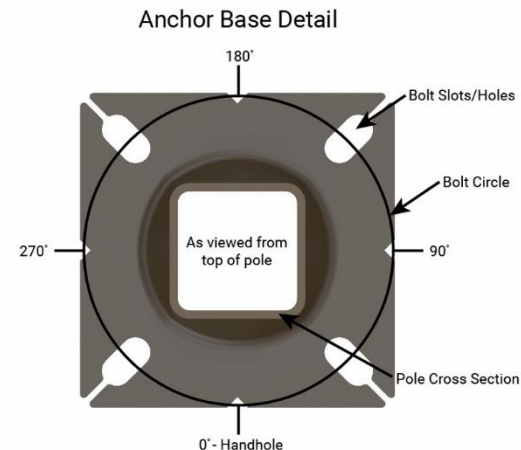
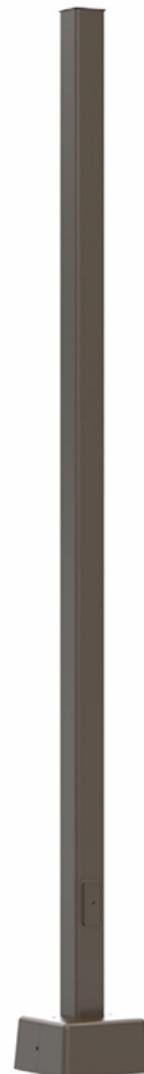


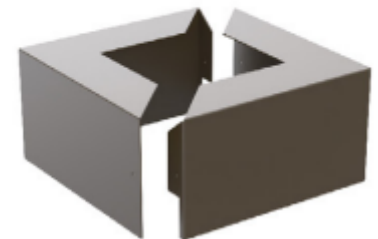


Pole Specifications

- **Pole Shaft** - The pole shaft is fabricated from hot rolled welded steel tubing of one-piece construction with a minimum yield strength of 55 KSI.
- **Pole Top** - Pole is provided with either a tenon top or drilled for a fixture mounting. A removable pole cap is provided for drilled poles. Consult the luminaire manufacturer for correct tenon size or drill pattern. Other pole top options include pole cap only (PC) or plain top (PL) which is typical when the pole top diameter matches the necessary slip fit dimensions.
- **Handhole** - A reinforced 2.50" x 5.00" handhole with grounding provision is provided at 1'-6" from the base end of the pole assembly. Each handhole includes an easy to install, self-contained handhole cover assembly. All pole assemblies are provided with a rectangular handhole. Dimensions are nominal.
- **Base Cover** - A two-piece full base cover fabricated from ABS plastic is provided with each pole assembly. Additional base cover options in steel and aluminum materials are available upon request.
- **Anchor Bolts** - Anchor bolts conform to ASTM F1554 Grade 55 and are provided with two hex nuts and two flat washers. Bolts have an "L" bend on one end and are galvanized a minimum of 12" on the threaded end.
- **Hardware** - All structural fasteners are galvanized high strength carbon steel. All non-structural fasteners are galvanized or zinc-plated carbon steel or stainless steel.
- **Finish** - Standard finishes are either Galvanized (GV) or Finish Painted (FP). Additional finish options including Finish Paint over Galvanizing (FPGV) available upon request.
- **Design Criteria** - Standard EPA (Effective Projected Area) and weight values are based around standard commercial criteria (with 1.3 second gust factor), AASHTO standards, and 2017 Florida Building Code (FBC). Specific light pole design standards are available from factory. Satisfactory performance of light poles is dependent upon the pole being properly attached to a supporting foundation of adequate design.



Base Cover



Top Cap



Tenon Top



Handhole Cover



Festoon



NPT Pipe Coupling





Loading Guide

Base Model	80mph w/ 1.3 Gust		90mph w/ 1.3 Gust		100mph w/ 1.3 Gust		110mph w/ 1.3 Gust		120mph w/ 1.3 Gust		130mph w/ 1.3 Gust		140mph w/ 1.3 Gust	
	Max EPA (sq ft)	Max Weight (lb)	Max EPA (sq ft)	Max Weight (lb)	Max EPA (sq ft)	Max Weight (lb)	Max EPA (sq ft)	Max Weight (lb)	Max EPA (sq ft)	Max Weight (lb)	Max EPA (sq ft)	Max Weight (lb)	Max EPA (sq ft)	Max Weight (lb)
VS-SSSA-10-4040-11-AB-FP	30.6	765	23.8	595	18.9	473	15	375	12.2	305	10	250	8.4	210
VS-SSSA-12-4040-11-AB-FP	24.4	610	18.8	470	14.8	370	11.5	288	9.3	233	7.5	188	6.2	155
VS-SSSA-14-4040-11-AB-FP	19.9	498	15.1	378	11.7	293	9.1	228	7.1	180	5.6	140	4.4	110
VS-SSSA-15-4040-11-AB-FP	15.9	398	11.8	295	8.9	223	6.8	170	5.2	130	3.9	98	2.9	73
VS-SSSA-16-4040-11-AB-FP	15.9	398	11.8	295	8.9	223	6.8	170	5.2	130	3.9	98	2.9	73
VS-SSSA-18-4040-11-AB-FP	12.6	315	9.2	230	6.7	168	5	125	3.6	90	2.4	60	1.3	33
VS-SSSA-20-4040-11-AB-FP	9.6	240	6.7	167	4.5	150	3.5	88	2	50	0.8	20	N/A	N/A
VS-SSSA-20-4040-07-AB-FP	15.8	240	12.7	167	9	150	7.6	190	5.8	145	4.5	113	3.4	85
VS-SSSA-20-5050-11-AB-FP	17.7	443	12.7	343	9.4	235	7	175	5	125	3.5	88	2.2	55
VS-SSSA-20-5050-07-AB-FP	28.1	703	21.4	535	16.2	405	12.3	308	9.5	235	7.3	183	5.6	140
VS-SSSA-25-4040-11-AB-FP	4.8	150	2.6	100	1	50	N/A	N/A	N/A	N/A	N/A	N/A	N/A	N/A
VS-SSSA-25-4040-07-AB-FP	10.8	270	7.7	188	5.4	135	3.9	100	2.6	65	1.6	40	0.8	20
VS-SSSA-25-5050-11-AB-FP	9.8	245	6.3	157	3.7	150	2.5	63	0.7	18	N/A	N/A	N/A	N/A
VS-SSSA-25-5050-07-AB-FP	18.5	463	13.3	333	9.5	238	6.6	165	4.5	113	2.9	75	1.4	35
VS-SSSA-30-4040-07-AB-FP	6.7	168	4.4	110	2.6	65	1.4	35	0.4	10	N/A	N/A	N/A	N/A
VS-SSSA-30-5050-11-AB-FP	4.7	150	2	50	N/A	N/A	N/A	N/A	N/A	N/A	N/A	N/A	N/A	N/A
VS-SSSA-30-5050-07-AB-FP	10.7	267	6.7	167	3.9	100	2.5	63	0.3	10	N/A	N/A	N/A	N/A
VS-SSSA-30-6060-07-AB-FP	19	475	13.2	330	9	225	6	150	3.6	90	1.3	33	N/A	N/A
VS-SSSA-35-5050-07-AB-FP	5.9	150	2.5	100	N/A	N/A	N/A	N/A	N/A	N/A	N/A	N/A	N/A	N/A
VS-SSSA-35-6060-07-AB-FP	12.4	310	7.6	190	4.2	105	1.2	30	N/A	N/A	N/A	N/A	N/A	N/A
VS-SSSA-40-6060-07-AB-FP	7.2	180	3	75	N/A	N/A	N/A	N/A	N/A	N/A	N/A	N/A	N/A	N/A

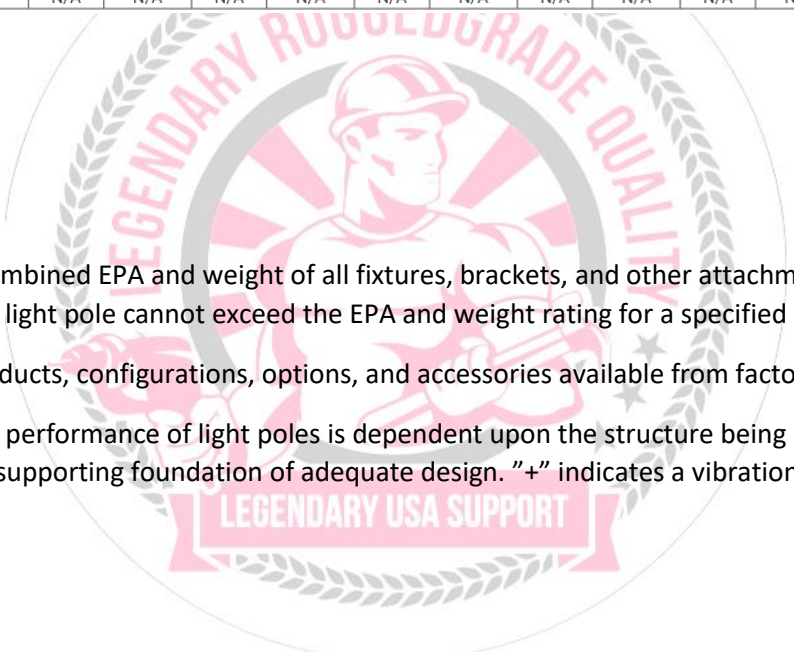
1. The total combined EPA and weight of all fixtures, brackets, and other attachments mounting to a light pole cannot exceed the EPA and weight rating for a specified pole.
2. Standard EPA (Effective Projected Area) and weight values are based around Ultimate Wind Speed, Risk Category II, Exposure Category C. Specific light pole design standards are available from factory. Above data is based around the load centroid being at 2.5' above the pole top and with 2.0' eccentricity. Weight of horizontally eccentric load is capped at 100lb, all remaining weight mounted 2.5' above top of the pole.
3. Custom products, configurations, options, and accessories available from factory.
4. Satisfactory performance of light poles is dependent upon the structure being properly attached to a supporting foundation of adequate design. "+" indicates a vibration dampener is standard.





Loading Guide

Base Model	110mph FBC		120mph FBC		130mph FBC		140mph FBC		150mph FBC		160mph FBC		170mph FBC		180mph FBC	
	Max EPA (sq ft)	Max Weight (lb)	Max EPA (sq ft)	Max Weight (lb)	Max EPA (sq ft)	Max Weight (lb)	Max EPA (sq ft)	Max Weight (lb)	Max EPA (sq ft)	Max Weight (lb)	Max EPA (sq ft)	Max Weight (lb)	Max EPA (sq ft)	Max Weight (lb)	Max EPA (sq ft)	Max Weight (lb)
VS-SSSA-10-4040-11-AB-FP	25.5	638	21.5	538	18	450	15	375	13	225	11.5	188	10	250	8.5	213
VS-SSSA-12-4040-11-AB-FP	18	450	15	375	12.5	313	10.5	263	9	225	7.5	188	6.5	163	5.5	11
VS-SSSA-14-4040-11-AB-FP	15	375	12.5	313	10	250	8.5	213	7	175	5.5	138	4.5	113	3.5	88
VS-SSSA-15-4040-11-AB-FP	15	375	12.5	313	10	250	8.5	213	7	175	5.5	138	4.5	113	3.5	88
VS-SSSA-16-4040-11-AB-FP	12	300	9.5	238	8	200	6.5	163	5	125	4	100	3	75	2	50
VS-SSSA-18-4040-11-AB-FP	10	250	8	100	6	150	4.5	113	3.5	88	2.5	63	1.5	38	1	25
VS-SSSA-20-4040-11-AB-FP	8	200	6	150	4.5	113	3	75	2	50	1	25	N/A	N/A	N/A	N/A
VS-SSSA-20-4040-07-AB-FP	12	300	9.5	238	7.5	188	5.5	138	4.5	113	3	75	2	50	1.5	38
VS-SSSA-20-5050-11-AB-FP	W/t Ratio Exceeded															
VS-SSSA-20-5050-07-AB-FP	16.5	413	13	325	10	250	7.5	188	6	150	4	100	3	75	2	50
VS-SSSA-25-4040-11-AB-FP	4.5	113	3	75	1.5	38	0.5	13	N/A	N/A	N/A	N/A	N/A	N/A	N/A	N/A
VS-SSSA-25-4040-07-AB-FP	7	175	5	125	3	75	2	50	0.5	13	N/A	N/A	N/A	N/A	N/A	N/A
VS-SSSA-25-5050-11-AB-FP	N/A	N/A	N/A	N/A	N/A	N/A	N/A	N/A	N/A	N/A	N/A	N/A	N/A	N/A	N/A	N/A
VS-SSSA-25-5050-07-AB-FP	10.5	163	7.5	88	5	125	3	75	1	25	N/A	N/A	N/A	N/A	N/A	N/A
VS-SSSA-30-4040-07-AB-FP	3	75	1	25	N/A	N/A	N/A	N/A	N/A	N/A	N/A	N/A	N/A	N/A	N/A	N/A
VS-SSSA-30-5050-11-AB-FP	W/t Ratio Exceeded															
VS-SSSA-30-5050-07-AB-FP	4	100	2	50	N/A	N/A	N/A	N/A	N/A	N/A	N/A	N/A	N/A	N/A	N/A	N/A
VS-SSSA-30-6060-07-AB-FP	15	375	11.5	288	8	200	5	125	2.5	63	1	25	N/A	N/A	N/A	N/A
VS-SSSA-35-5050-07-AB-FP	N/A	N/A	N/A	N/A	N/A	N/A	N/A	N/A	N/A	N/A	N/A	N/A	N/A	N/A	N/A	N/A
VS-SSSA-35-6060-07-AB-FP	8	200	5	125	2	50	N/A	N/A	N/A	N/A	N/A	N/A	N/A	N/A	N/A	N/A
VS-SSSA-40-6060-07-AB-FP	3	75	N/A	N/A	N/A	N/A	N/A	N/A	N/A	N/A	N/A	N/A	N/A	N/A	N/A	N/A



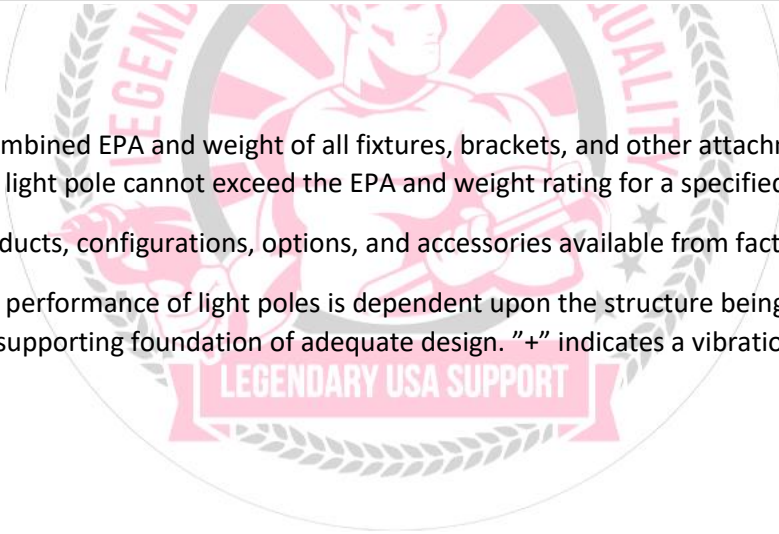
1. The total combined EPA and weight of all fixtures, brackets, and other attachments mounting to a light pole cannot exceed the EPA and weight rating for a specified pole.
2. Custom products, configurations, options, and accessories available from factory.
3. Satisfactory performance of light poles is dependent upon the structure being properly attached to a supporting foundation of adequate design. "+" indicates a vibration dampener is standard.





Loading Guide

Base Model	Pole Dimensions					Base Plate		Anchor Bolts	
	Nominal Mounting Height	Top Sq (in)	Base Sq (in)	Wall Thick (ga)	Structural Weight (lb)	Bolt Circle Diameter (in)	Sq (in) x Thick (in)	Dia x Length x Hook (in)	Projection (in)
VS-SSSA-10-4040-11-AB-FP	10'-0"	4	4	11	75	8.0 - 9.0	8.25 x 0.75	0.75 x 17.00 x 3.00	3.25 - 3.75
VS-SSSA-12-4040-11-AB-FP	12'-0"	4	4	11	90	8.0 - 9.0	8.25 x 0.75	0.75 x 17.00 x 3.00	3.25 - 3.75
VS-SSSA-14-4040-11-AB-FP	14'-0"	4	4	11	100	8.0 - 9.0	8.25 x 0.75	0.75 x 17.00 x 3.00	3.25 - 3.75
VS-SSSA-15-4040-11-AB-FP	15'-0"	4	4	11	110	8.0 - 9.0	8.25 x 0.75	0.75 x 17.00 x 3.00	3.25 - 3.75
VS-SSSA-16-4040-11-AB-FP	16'-0"	4	4	11	115	8.0 - 9.0	8.25 x 0.75	0.75 x 17.00 x 3.00	3.25 - 3.75
VS-SSSA-18-4040-11-AB-FP	18'-0"	4	4	11	125	8.0 - 9.0	8.25 x 0.75	0.75 x 17.00 x 3.00	3.25 - 3.75
VS-SSSA-20-4040-11-AB-FP	20'-0"	4	4	11	140	8.0 - 9.0	8.25 x 0.75	0.75 x 17.00 x 3.00	3.25 - 3.75
VS-SSSA-20-4040-07-AB-FP	20'-0"	4	4	7	200	8.0 - 9.0	8.25 x 0.875	0.75 x 17.00 x 3.00	3.38 - 3.88
VS-SSSA-20-5050-11-AB-FP	20'-0"	5	5	11	185	10.0 - 12.0	11 x 1	0.75 x 17.00 x 3.00	3.5 - 4
VS-SSSA-20-5050-07-AB-FP	20'-0"	5	5	7	265	10.0 - 12.0	11 x 1	0.75 x 17.00 x 3.00	3.5 - 4
VS-SSSA-25-4040-11-AB-FP	25'-0"	4	4	11	170	8.0 - 9.0	8.25 x 0.75	0.75 x 17.00 x 3.00	3.25 - 3.75
VS-SSSA-25-4040-07-AB-FP	25'-0"	4	4	7	245	8.0 - 9.0	8.25 x 0.875	0.75 x 17.00 x 3.00	3.38 - 3.88
VS-SSSA-25-5050-11-AB-FP	25'-0"	5	5	11	225	10.0 - 12.0	11 x 1	0.75 x 17.00 x 3.00	3.5 - 4
VS-SSSA-25-5050-07-AB-FP	25'-0"	5	5	7	360	10.0 - 12.0	11 x 1	0.75 x 17.00 x 3.00	3.5 - 4
VS-SSSA-30-4040-07-AB-FP	30'-0"	4	4	7	291	8.0 - 9.0	8.25 x 0.875	0.75 x 17.00 x 3.00	3.38 - 3.88
VS-SSSA-30-5050-11-AB-FP	30'-0"	5	5	11	265	10.0 - 12.0	11 x 1	0.75 x 17.00 x 3.00	3.5 - 4
VS-SSSA-30-5050-07-AB-FP	30'-0"	5	5	7	380	10.0 - 12.0	11 x 1	0.75 x 17.00 x 3.00	3.5 - 4
VS-SSSA-30-6060-07-AB-FP	30'-0"	6	6	7	520	11.0 - 13.0	12.5 x 1	1.00 x 36.00 x 4.00	4 - 4.5
VS-SSSA-35-5050-07-AB-FP	35'-0"	5	5	7	440	10.0 - 12.0	11 x 1	0.75 x 17.00 x 3.00	3.5 - 4
VS-SSSA-35-6060-07-AB-FP	35'-0"	6	6	7	540	11.0 - 13.0	12.5 x 1	1.00 x 36.00 x 4.00	4 - 4.5
VS-SSSA-40-6060-07-AB-FP	40'-0"	6	6	7	605	11.0 - 13.0	12.5 x 1	1.00 x 36.00 x 4.00	4 - 4.5

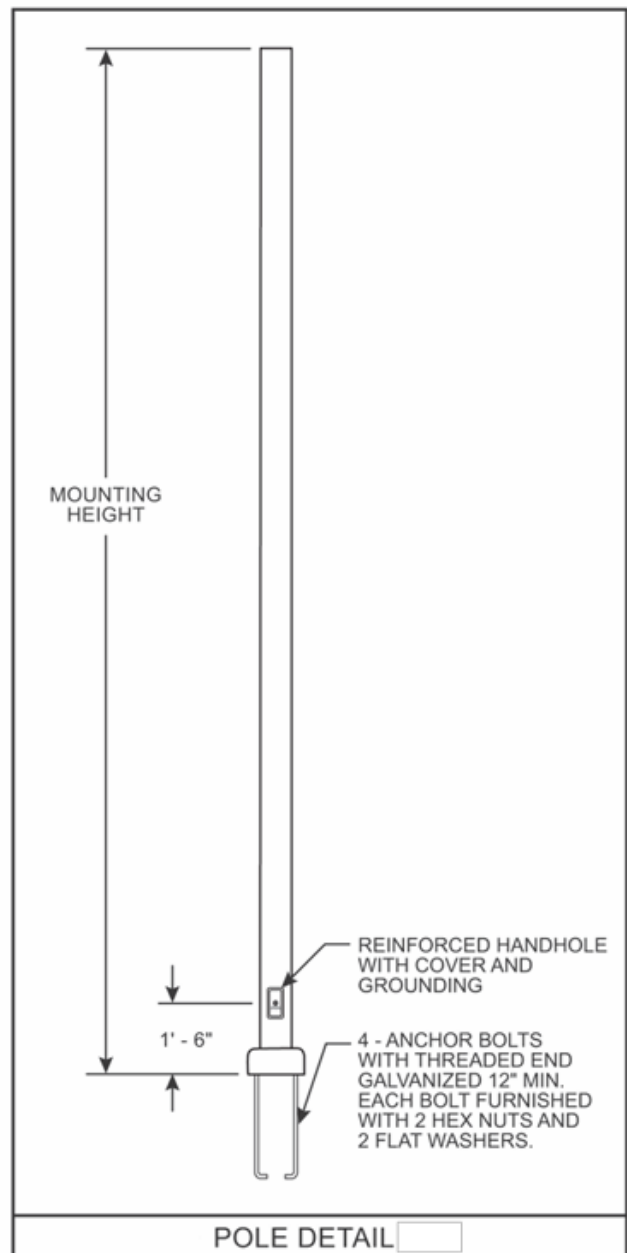
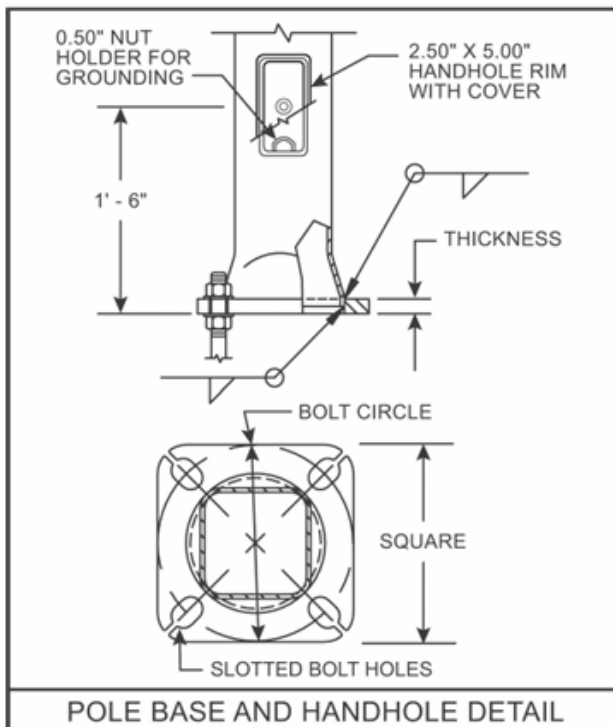
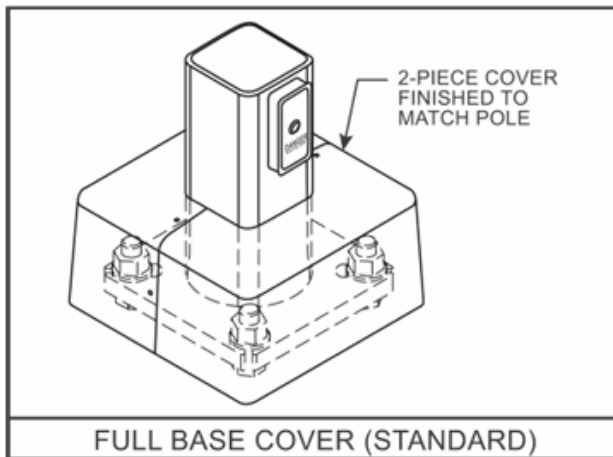
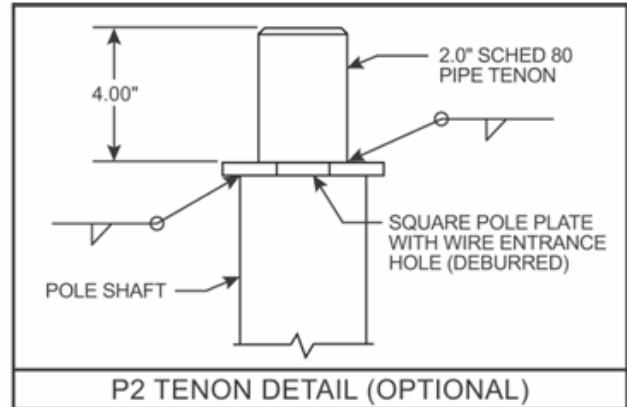
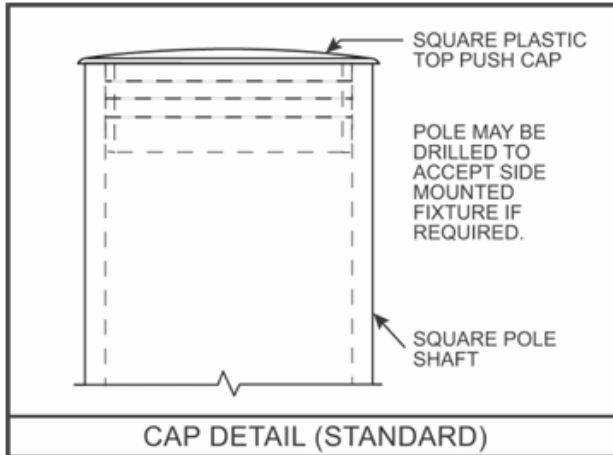


1. The total combined EPA and weight of all fixtures, brackets, and other attachments mounting to a light pole cannot exceed the EPA and weight rating for a specified pole.
2. Custom products, configurations, options, and accessories available from factory.
3. Satisfactory performance of light poles is dependent upon the structure being properly attached to a supporting foundation of adequate design. "+" indicates a vibration dampener is standard.





Dimensions





PRODUCT WARNINGS

- ⚡ Please turn off power before install or change assembly parts.
- ⚡ The input voltage and lamps should be matched, after connecting the power line.
- ⚡ Please make sure the wiring section is insulated.
- ⚡ Professionals must install and disassemble the lamps.
- ⚡ Surge is the number 1 cause of LED light failure. Outdoor lights must have surge at fixture, pole, and breaker.
- ⚡ Surge is the number 1 cause of LED light failure. Indoor lights must have surge at fixture and breaker.

PRODUCT TROUBLESHOOTING

Issue	Check points
Light Flickers	Check all wiring for disconnections, shorts and burnt wiring and connections. Confirm steady input voltage to the light fixture, fluctuating input voltage will harm the LED driver and can lead to premature failure. Lights with photocells can have photocell tag from ambient light or light reflecting at the sensor. Simply cover the photocell completely and see if flickering continues while the photocell is covered. Call Tech Support for help if none of the above solves the issue.
Light does not work at all.	Check all wiring for disconnections, shorts and burnt wiring and connections. Confirm steady input voltage to the light fixture, fluctuating input voltage will harm the LED driver and can lead to premature failure. If input voltage is not in the voltage range of the fixture, you will need to find the source of your input voltage issue. Call Tech Support for help if none of the above solves the issue.

For more technical information, install questions, troubleshooting help or warranty claims, we have a dedicated US Tech and Customer Support Team to help solve any issues you have and can be reached by email or phone. If you need help with any of our products, we are here for you so that you are never in the dark!

BETTER LIGHTS. BETTER SUPPORT.



CERTIFIED



LISTED



LEGENDARY RUGGEDGRADE QUALITY
LEGENDARY USA SUPPORT



US based
phone and online
customer support



ROCK SOLID
5 YEARS
WARRANTY