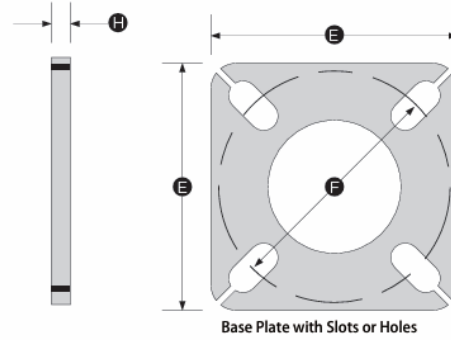
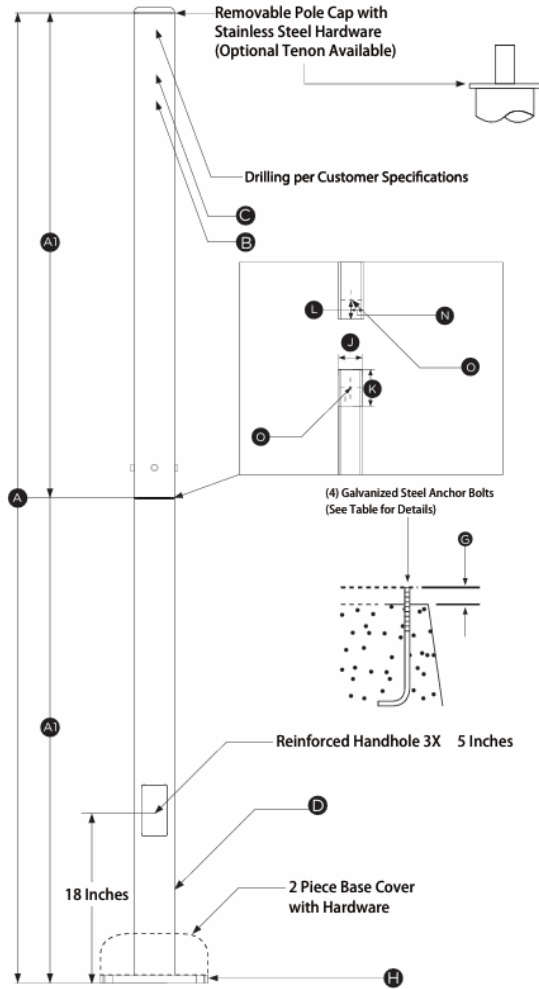




10FT 4 INCH 11 GAUGE POLE DIMENSIONS/SPECS

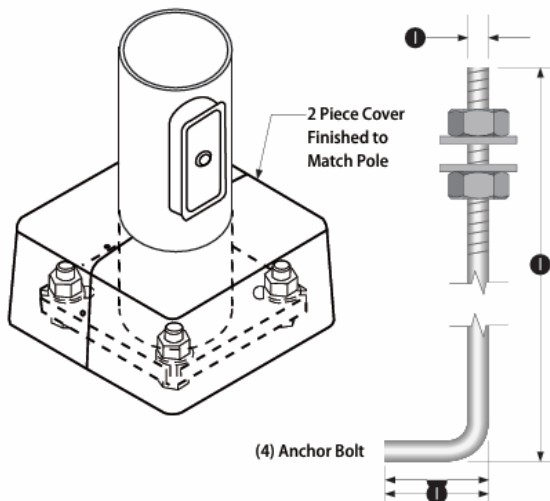


Specification Table		
Nutting Height (ft.)	A	10
Nutting Height (ft.)	A1	5
Gauge	B	11
Top Width (in.)	C	4
Butt Width (in.)	D	4
Base Width (in.)	E	10.5
Bolt Circle (in.)	F	9.5
Bolt Projection (in.)	G	3.75
Base Thickness (in.)	H	0.75
Anchor Bolt Size (in.)	I	0.75 x 17 x 3
Outer Width (in.)	J	3.62
Height (in.)	K	5.9
Screw Location (in.)	O	∅0.31
Bolt Circle Range (in.)	-	8-11
Pole Weight (lbs.)	-	76

Maximum EPA with 1.3 Gust Factor:		
90 mph:	15.8	Square Feet
100 mph:	12.5	Square Feet
110 mph:	11.5	Square Feet
120 mph:	9.5	Square Feet

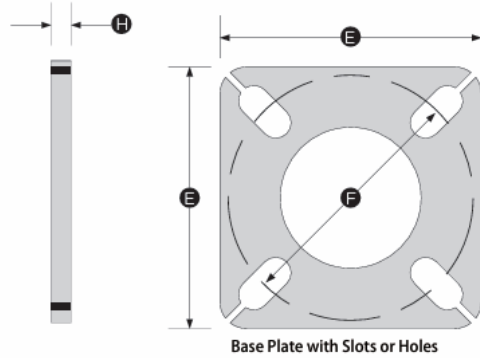
Product Description

- Pole Top Options:** A removable aluminum pole cap is provided if the pole is drilled for attaching light fixtures. The drill pattern and drill orientation needs to be provided by the customer unless Energy Light fixtures are used for the project. If a tenon option is selected, a steel tenon will be provided. A 23/8 inch diameter tenon with a 4 inch length is standard; however, the customer needs to confirm the appropriate tenon size required for the project.
- Pole Shaft:** Commercial quality welded steel tubing of 2 piece A1 length construction with a minimum yield strength of 55,000 psi is used to fabricate the pole shaft and hold the connection position with screws.
- Handhole:** 3 X 5 inches tall reinforced handhole is provided at 18 inches from the base. A cover with a single screw to secure the latch mechanism is also provided.
- Base Cover:** A 2 piece metal base cover is provided along with hardware to securely attach the 2 pieces together after pole installation.
- Anchor Bolts:** A set of 4 galvanized steel anchor bolts is provided with each pole assembly. Each bolt includes 2 nuts and 2 washers. A portion of the anchor bolt is threaded for securing and leveling the pole with the provided nuts and washers. An actual size paper anchor bolt template is included.
- Color:** Dark Bronze (other color optional)





15FT 4 INCH 11 GAUGE POLE DIMENSIONS/SPECS

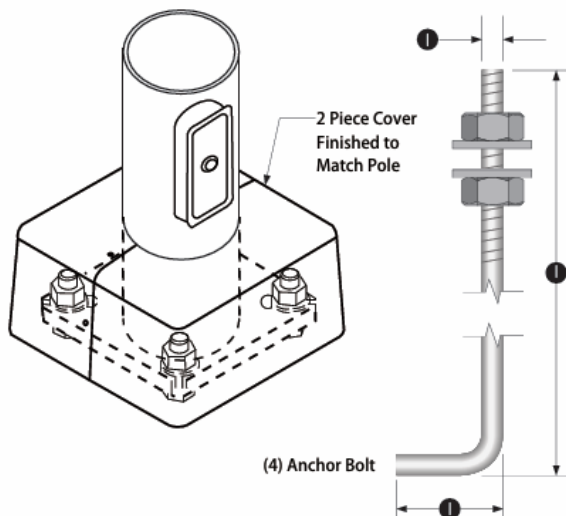


Specification Table	
Nutting Height (ft.)	A 15
Nutting Height (ft.)	A1 5
Gauge	B 11
Top Width (in.)	C 4
Butt Width (in.)	D 4
Base Width (in.)	E 10.5
Bolt Circle (in.)	F 9.5
Bolt Projection (in.)	G 3.75
Base Thickness (in.)	H 0.75
Anchor Bolt Size (in.)	I 0.75 x 17 x 3
	J 3.62
	K 5.9
	L 2.95
	M 1.81
	N 1.96
	O 0.31
Bolt Circle Range (in.)	- 8-11
Pole Weight (lbs.)	- 100

Maximum EPA with 1.3 Gust Factor:	
90 mph:	8.5 Square Feet
100 mph:	6.3 Square Feet
110 mph:	5.7 Square Feet
120 mph:	4.4 Square Feet

Product Description

- Pole Top Options:** A removable aluminum pole cap is provided if the pole is drilled for attaching light fixtures. The drill pattern and drill orientation needs to be provided by the customer unless Energy Light fixtures are used for the project. If a tenon option is selected, a steel tenon will be provided. A 23/8 inch diameter tenon with a 4 inch length is standard; however, the customer needs to confirm the appropriate tenon size required for the project.
- Pole Shaft:** Commercial quality welded steel tubing of 3 piece A1 length construction with a minimum yield strength of 55,000 psi is used to fabricate the pole shaft and hold the connection position with screws.
- Handhole:** 3 X 5 inches tall reinforced handhole is provided at 18 inches from the base. A cover with a single screw to secure the latch mechanism is also provided.
- Base Cover:** A 2 piece metal base cover is provided along with hardware to securely attach the 2 pieces together after pole installation.
- Anchor Bolts:** A set of 4 galvanized steel anchor bolts is provided with each pole assembly. Each bolt includes 2 nuts and 2 washers. A portion of the anchor bolt is threaded for securing and leveling the pole with the provided nuts and washers. An actual size paper anchor bolt template is included.
- Color:** Dark Bronze



PRODUCT WARNINGS

- ⚡ Please turn off power before install or change assembly parts.
- ⚡ The input voltage and lamps should be matched, after connecting the power line.
- ⚡ Please make sure the wiring section is insulated.
- ⚡ Professionals must install and disassemble the lamps.
- ⚡ Surge is the number 1 cause of LED light failure. Outdoor lights must have surge at fixture, pole, and breaker.
- ⚡ Surge is the number 1 cause of LED light failure. Indoor lights must have surge at fixture and breaker.

PRODUCT TROUBLESHOOTING

Issue	Check points
Light Flickers	Check all wiring for disconnections, shorts and burnt wiring and connections. Confirm steady input voltage to the light fixture, fluctuating input voltage will harm the LED driver and can lead to premature failure. Lights with photocells can have photocell tag from ambient light or light reflecting at the sensor. Simply cover the photocell completely and see if flickering continues while the photocell is covered. Call Tech Support for help if none of the above solves the issue.
Light does not work at all.	Check all wiring for disconnections, shorts and burnt wiring and connections. Confirm steady input voltage to the light fixture, fluctuating input voltage will harm the LED driver and can lead to premature failure. If input voltage is not in the voltage range of the fixture, you will need to find the source of your input voltage issue. Call Tech Support for help if none of the above solves the issue.

For more technical information, install questions, troubleshooting help or warranty claims, we have a dedicated US Tech and Customer Support Team to help solve any issues you have and can be reached by email or phone. If you need help with any of our products, we are here for you so that you are never in the dark!

BETTER LIGHTS. BETTER SUPPORT.





CERTIFIED



LISTED



LEGENDARY RUGGEDGRADE QUALITY



**US based
phone and online
customer support**



**5 YEARS
WARRANTY**